

HP Color LaserJet Enterprise MFP M680f



Use this high-performance color MFP to stay productive in the office and on the go.²

Tackle high-volume jobs with a high-performance color MFP. Print and copy on letter and A4, plus scan and fax. Enhanced scanning features and an 8-inch color touchscreen smooth workflows. Mobile printing options help you stay productive on the go.²



HP Color LaserJet Enterprise MFP M680f

Make workflow fly

- Get more done, faster. Scan two-sided documents in a single pass. No missed pages, no flipping pages by hand.
- Preview and edit scans, adjust images, and launch standard processes—all at the 20.3 cm (8-inch) color touchscreen.
- Reload less often—tackle high-volume print jobs with a paper capacity of up to 3,100 sheets.³
- Scan and send digital files directly to email, network folders, or the cloud.²

Mobilize business printing

- Print without wires—or a network. Get easy access to the MFP through optional wireless direct printing.⁴
- Mobile printing at a touch—enable touch-to-print convenience from mobile devices.⁵
- Easily print from smartphones, tablets, and notebooks at work, home, or on the go; Mopria-certified.¹
- Pull print jobs from your pocket—walk up and print or scan from your USB drive.

Ready, set, grow

- Depend on an MFP that can expand with your business, whenever solutions advance.
- Take the guesswork out of fleet management—centrally monitor and control your MFPs with HP Web Jetadmin.⁶
- Be confident that sensitive business data is protected with advanced security and an encrypted hard disk.

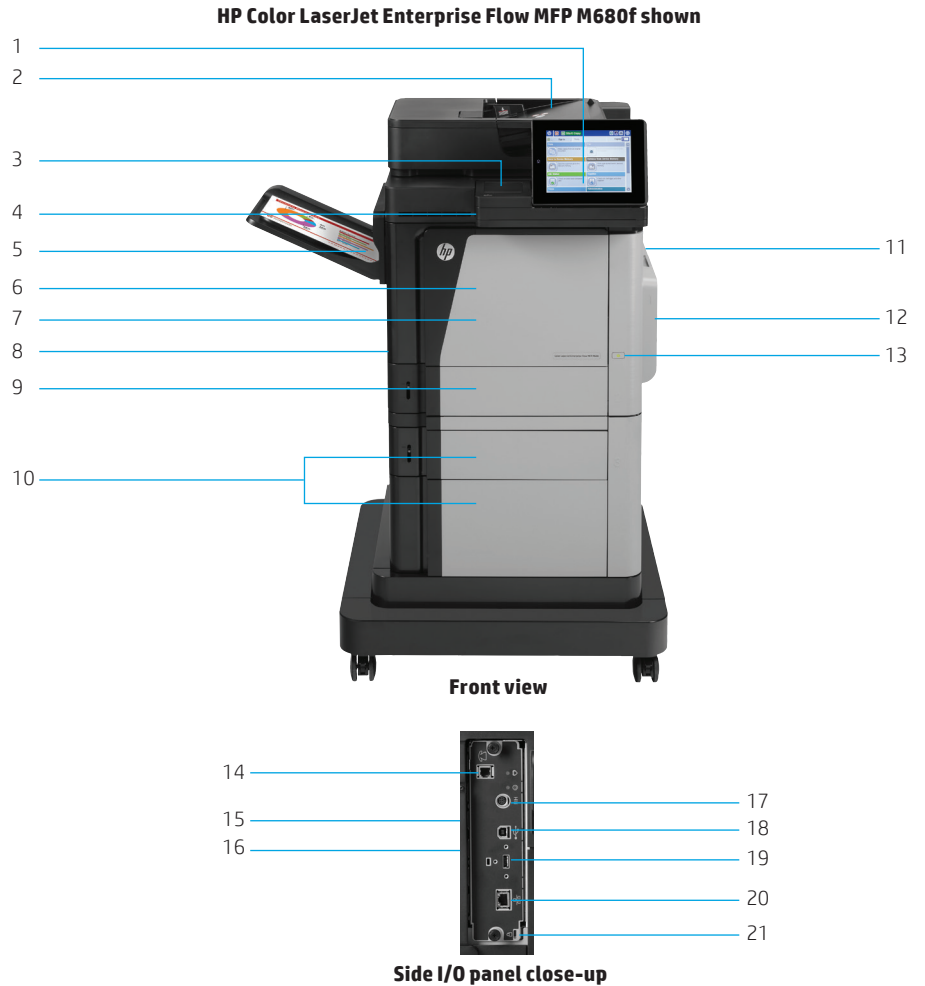
Loaded for productivity

- Reload less often—tackle high-volume printing with a paper capacity of up to 3,100 sheets.³
- Reduce employee time at the MFP, using the automatic document feeder.
- Get exceptional value from Original HP high-capacity ink cartridges.
- Save time with automatic job sorting and finishing, using the optional 3-bin stapling mailbox.

¹ Local printing requires mobile device and printer to be on the same wireless network or have a direct wireless connection. Wireless performance is dependent on physical environment and distance from access point. Wireless operations are compatible with 2.4 GHz operations only. Remote printing requires an Internet connection to an HP web-connected printer. App or software and HP ePrint account registration may also be required. Wireless broadband use requires separately purchased service contract for mobile devices. Check with service provider for coverage and availability in your area. See hp.com/go/businessmobileprinting for more details. Mopria-certified devices adhere to a common standard that enables easy mobile printing with little or no setup. ² Scanning to SharePoint and/or the cloud requires an Internet connection to the printer. Services may require registration. Availability varies by country, language, and agreements. For details, see hp.com/go/mfp ³ Maximum paper capacity requires purchase of additional paper trays for the HP Color LaserJet Enterprise M680f. ⁴ Wireless direct printing requires purchase of optional module. Mobile device may require an app or driver. Wireless performance is dependent on physical environment and distance from the printer. For details, see hp.com/go/businessmobileprinting ⁵ Touch-to-print capability requires purchase of optional module. Mobile device must support near-field communications-enabled printing. For a list of supported devices, see hp.com/go/businessmobileprinting ⁶ HP Web Jetadmin is free and available for download at hp.com/go/webjetadmin

Product walkaround

- 1 Intuitive 20.3 cm (8-inch) color touchscreen control panel
- 2 100-sheet automatic document feeder (ADF) with single-pass, two-sided scanning
- 3 Hardware integration pocket (for connecting accessory and third-party devices) 900-sheet, 3-bin stapling mailbox accessory
- 4 Easy access USB port to save and print files directly
- 5 500-sheet output bin
- 6 Front door (access to toner cartridges)
- 7 Built-in automatic duplexer
- 8 Lower-right door (access for clearing jams)
- 9 500-sheet tray 2
- 10 500-sheet paper feeder with storage cabinet and stand
- 11 Right-side door (access for clearing jams)
- 12 100-sheet multipurpose tray
- 13 On/off button
- 14 Fax port
- 15 HP High-Performance Secure Hard Disk
- 16 Access port for optional Kensington-style lock 800 MHz processor, 2 GB RAM
- 17 Foreign interface harness (for connecting external devices)
- 18 Hi-Speed USB 2.0 printing port
- 19 Hi-Speed USB 2.0 port (for connecting third-party devices)
- 20 HP Jetdirect Gigabit Ethernet print server
- 21 Access port for optional Kensington-style lock



Series at a glance



Model	HP Color LaserJet Enterprise MFP M680f
Part number	CZ249A
100-sheet multipurpose tray	✓
500-sheet tray 2	✓
500-sheet tray 3 with storage cabinet	✓
2 x 500-sheet trays and 1,500-sheet HCI with stand	Not available
900-sheet, 3-bin stapling mailbox	Optional
Touch-to-print and wireless direct mobile printing	Optional
100-page ADF with single-pass, two-sided scanning	✓
Fax	✓

HP Services

Downtime can have serious consequences, so HP provides support beyond the standard warranty. You benefit from reduced risk, maximized uptime, predictable service delivery and no unbudgeted repair costs.

HP Care Pack Services provide comprehensive suite of protection services designed to keep HP Hardware and software up and running so employees can stay productive.

Choose from:

Next Business Day Onsite Repair: Makes an HP technician available at customers' premise the next business day, if the issue cannot be resolved remotely.

For care pack availability visit:
hp.com/go/cpc



Top Features

Power up your productivity with super-fast scanning, impressive paper capacity, and an 8-inch color touchscreen with image preview—to help provide the best results, ahead of time.

Give users the ability to connect and print almost anywhere work takes them. Simple mobile printing saves time—and keeps your business moving at top speed. Print without wires—or a network—with optional wireless direct printing.²

Keep your printing fleet looking forward. Easily expand and upgrade this MFP as solutions advance—and use simple, central management tools to save IT time and budget.

Take office productivity higher. Load the MFP with up to 3,100 sheets and high-capacity Original HP cartridges, set up jobs with the automatic document feeder, and let it go to work.¹

Accessories

CC497A	HP LaserJet Postcard Media Insert Tray
CE246A	HP Color LaserJet 110V Fuser Kit
CE265A	HP LaserJet Toner Collection Unit
CE247A	HP Color LaserJet 220V Fuser Kit
CE249A	HP Color LaserJet Transfer Kit
J8029A	HP Jetdirect 2800w NFC/Wireless Direct Accessory
CZ261A	HP Color LaserJet 500-sheet Paper Tray
CZ263A	HP Color LaserJet 2 x 500-sheet Paper Feeder 1,500-sheet High-capacity Paper Feeder and Stand
CZ264A	HP 900-sheet 3 bin Stapling Mailbox
CC487A	HP LaserJet MFP Analog Fax Accessory 500

Supplies

CF320A	HP 652A Black LaserJet Toner Cartridge
CF320X	HP 654X Black LaserJet Toner Cartridge
CF321A	HP 654A Cyan LaserJet Toner Cartridge
CF322A	HP 654A Yellow LaserJet Toner Cartridge
CF323A	HP 654A Magenta LaserJet Toner Cartridge

Services

U1PF8E	HP 3-year Next Business Day + DMR Color LaserJet M880 Multifunction printer Support
U1PF9E	HP 4-year Next Business Day + DMR Color LaserJet M880 Multifunction printer Support
U1PG0E	HP 5-year Next Business Day + DMR Color LaserJet M880 Multifunction printer Support
U4TM0E	HP 3-year 4 hour 9x5 + DMR Color LaserJet M880 Multifunction Printer Service
U4TM1E	HP 4-year 4 hour 9x5 + DMR Color LaserJet M880 Multifunction Printer Service
U4TM2E	HP 5-year 4 hour 9x5 + DMR Color LaserJet M880 Multifunction Printer Service
U1PH4PE	HP 1-year Post Warranty Next Business Day + DMR Color LaserJet M880 Multifunction printer Support
U4TM3PE	HP 1-year Post Warranty 4 hour 9x5 + DMR Color LaserJet M880 Multifunction Printer Service

¹ Maximum paper capacity requires purchase of additional paper trays for the HP LaserJet Enterprise M680f. ² Wireless direct printing requires purchase of optional module. Mobile device may require an app or driver. Wireless performance is dependent on physical environment and distance from the printer. For details, see hp.com/go/businessmobileprinting

HP Color LaserJet Enterprise MFP M680f

Technical specifications	
AIO functions	Print, Copy, Scan, Fax, Digital Send, Scan-to-Easy Access USB; AIO multitasking supported: Yes
Duplex print options	Automatic
Print speed¹	Normal, A4: Up to 43 ppm black, Up to 42 ppm color; Normal, letter: Up to 45 ppm black, Up to 45 ppm color
First page out²	Black (ready): As fast as 10.5 sec; Color (ready): As fast as 10.5 sec
Print resolution	Black (best): Up to 1200 x 1200 dpi; Color (best): Up to 1200 x 1200 dpi
Print resolution technologies	HP ImagerET 4800, 600 x 600 dpi, HP ProRes 1200 (1200 x 1200 dpi), PANTONE® Calibrated
Print technology	Laser
Print cartridges number	4 (1 each black, cyan, magenta, yellow)
Mobile printing capability³	HP ePrint, Apple AirPrint™, Mobile Apps, optional Touch-to-print, optional Wireless Direct printing
Printer smart software features	HP ePrint, Apple AirPrint™, Open Extensibility Platform, FutureSmart Firmware, Schedule On and Off technology, Instant-on Technology, HP Auto-On/Auto-Off Technology, HP Easy Color, PANTONE® Calibrated, digital send print preview, duplex, print multiple pages per sheet (2, 4, 6, 9, 16), collation, watermarks, store print jobs
Standard print languages	HP PCL 6, HP PCL 5, HP postscript level 3 emulation, PDF, PDF and AirPrint (URF and PDF)
Printer management	HP Web Jetadmin; HP Utility (Mac)
Scan type/technology	Type: Flatbed, ADF; Technology: Charge Coupled Device (CCD)
Scan speed	Normal, A4: Up to 60 ipm (b&w), up to 45 ipm (color); Duplex: Up to 60 ipm (b&w), up to 45 ipm (color)
Scan resolution	Enhanced: Up to 600 dpi; Hardware: Up to 600 x 600 dpi; Optical: Up to 600 dpi
Scan file format	PDF, JPEG, TIFF, MTIFF, XPS, PDF/A
Scan input modes	Front panel applications: Copy, E-mail, Save to Network Folder, Save to USB, Save to Device Memory, Open Extensibility Platform (OXF) applications
Scanner advanced features	Optimize text/picture; Image adjustments; Job build; Output quality setting; Selectable scan resolution 75 to 600 dpi; Auto detect color; Edge erase; Auto job notification; Blank page suppression; HP Quick Sets
Digital sending standard features	Scan-to-e-mail; Save-to-Network Folder; Save-to-USB drive; Send to FTP; Send to LAN Fax; Send to Internet Fax; Local Address Book; SMTP over SSL
Scan size maximum	Flatbed: 216 x 356 mm (8.5 x 14 in)
Bit depth/Grayscale levels	Bit Depth: 24-bit; Grayscale: 256
Copy speed⁴	Normal, A4: Up to 42 cpm black, Up to 42 ppm color; Normal, letter: Up to 45 ppm black, Up to 45 ppm color
Copy resolution	Black (text and graphics): Up to 600 x 600 dpi (Flatbed), 300 x 600 dpi (ADF); Color (text and graphics): Up to 600 x 600 dpi (Flatbed), 300 x 600 dpi (ADF)
Max. no. of copies	Up to 9,999 copies
Copier resize	25 to 400%
Copier settings	Two-sided copying, scalability, image adjustments (darkness, contrast, background cleanup, sharpness), N-up, N or Z-ordering content orientation, collation, booklet, job build, edge-to-edge, job storage
Fax speed	13 sec per page
Fax resolution	Black (best): Up to 300 x 300 dpi; Black (standard): 100 x 100 dpi; Black and White (fine): 200 x 200 dpi, 256 levels of gray; Black and White (superfine): 300 x 300 dpi, 256 levels of gray
Fax smart software features	Stored faxes; fax archiving; fax forwarding; scale-to-fit; fax address book; LAN/Internet fax; fax number confirmation
Fax features	Auto fax reduction supported: Yes; Auto-Retrieving: Yes; Fax delayed sending: No; Distinctive ring detection supported: No; Fax forwarding supported: Yes; Junk barrier supported: Yes, as blocked fax numbers; Maximum speed dialing numbers: Up to 100 (each can contain 100 numbers); PC interface supported: Yes, PC fax send only
Standard connectivity	1 Hi-Speed device USB 2.0; 2 Host USB 2.0 (for third-party connections); 1 JetLink; 1 Accessory (for Kensington Lock); 1 Gigabit Ethernet 10/100/1000; 1 Fax; 1 FH
Network capabilities	Yes, via HP Jetdirect Ethernet embedded print server (standard) which supports: 10Base-T, 100Base-Tx, 1000Base-T; 802.3az (EEE) support on Fast Ethernet and Gig Links; IPsec (standard); 802.11b/g/n wireless networking (optional). Please note: HP Jetdirect 2800W (J8029A) and HP Jetdirect 2700W (J8026A) accessories cannot be installed at the same time.
Network ready	Standard (built-in Gigabit Ethernet); Included Touch-to-print and Wireless Direct
Wireless capability	Optional, enabled with purchase of HP Jetdirect 2700W USB Wireless Print Server J8026A or HP Jetdirect ew2500 802.11b/g Wireless Print Server J8021A
Memory	2 GB DDR2
Processor speed	800 MHz
Duty cycle (monthly)⁵	Up to 175,000 pages; Recommended monthly page volume: 3,000 to 17,000 pages
Paper handling	
Input	100-sheet multipurpose tray, 500-sheet input tray 2, 500-sheet input tray 3, 100-sheet Automatic Document Feeder (ADF), automatic two-sided printing
Output	500-sheet output bin
Media type	Paper (plain, light, bond, recycled, mid-weight, heavy, mid-weight glossy, heavy glossy, extra heavy, extra heavy glossy, cardstock, card glossy), color transparency, labels, letterhead, envelope, preprinted, prepunched, colored, rough, opaque film, user-defined
Media weight	Tray 1: 60 to 216 g/m ² (plain), 105 to 220 g/m ² (glossy); Trays 2, 3, 4, 5: 60 to 120 g/m ² (plain), 105 to 220 g/m ² (glossy)
Media sizes custom	Tray 1: 101.6 x 152 to 216 x 356 mm; Tray 2, 3: 148 x 210 to 216 x 356 mm
ADF capacity	Standard, 100 sheets
Dimensions (W x D x H)	840 x 681 x 1135 mm; Max: 1245 x 994 x 1416 mm
Weight	77.9 kg
What's in the box⁷	HP Color LaserJet Multifunction Printer; Black, Cyan, Magenta, and Yellow HP Color LaserJet Toner Cartridges (installed); CD with software drivers and documentation; Documentation (Hardware Install Guide); power cord; HP Jetdirect Gigabit Ethernet Print Server (embedded); 100-sheet multipurpose tray 1; 500-sheet input tray 2; Automatic duplexer (built-in); Encrypted Hard Drive: 500 capacity sheet paper input w/cabinet; Fax; Fax cable
Warranty features	One-year, onsite warranty
Energy efficiency compliance	ENERGY STAR® qualified; Blue Angel; CECP; EPEAT® Silver
Compatible operating systems	Windows XP SP3 or greater (32-bit and 64-bit), Windows Vista (32-bit and 64-bit), Windows 7 (32-bit and 64-bit), Windows 8 (32-bit and 64-bit), Windows Server 2003 SP2 or greater (32-bit and 64-bit), Windows Server 2008 (32-bit and 64-bit), Windows Server 2008 R2 (64-bit), Windows Server 2012 (64-bit), OS X 10.6 Snow Leopard, OS X 10.7 Lion, OS X 10.8 Mountain Lion, OS X 10.9 Mavericks. For the latest operating system support see: AirPrint support.apple.com/kb/ht4356, Android Citrix and Windows® Terminal Services (hp.com/go/afd), HP ePrint Software Driver hp.com/go/eprintssoftware, Linux (hplip.net), Novell (novell.com/print), SAP device types hp.com/go/sap/drivers, SAP Print hp.com/go/sap/print), UNIX hp.com/go/ux, UNIX JetDirect hp.com/go/jetdirectunix, software, Unix Model Scripts
Compatible network operating systems	HP-UX 10.20, 11.x, 11.1, IBM AIX 3.2.5 or higher, OS X 10.6 Snow Leopard, OS X 10.7 Lion, OS X 10.8 Mountain Lion, OS X 10.9 Mavericks, Windows 2000, PE-iX, Citrix MetaFrame Server, Novell 5.1 or higher, Red Hat Linux 7.x or higher, Solaris 2.5 or higher (SPARC systems only), SuSE Linux 8.x or higher, Windows 2003 SP2+ 64-bit, Windows Server 2003 SP2+, Windows Server 2008 (32-bit and 64-bit), Windows Vista Ready, Windows XP SP3+ 64-bit, Windows XP SP3+ Home, Windows XP SP3+ Professional, Windows XP SP3+ Professional and Windows Vista, Windows 7 SP1 or greater (32-bit and 64-bit), Windows 8 (32-bit and 64-bit), Windows Server 2008 (32-bit and 64-bit), Windows Server 2008 R2 (64-bit), Windows Server 2012 (64-bit), For Microsoft IPv6 compatibility use Windows 2003, Windows XP Home, Windows XP Professional and Windows Vista)
Minimum system requirements	PC: Windows 8, Windows 7 (SP1 or higher), Windows Vista, Windows XP (SP2 or higher), Windows Server 2003 (SP1 or higher), Windows Server 2008; Windows Server 2008 R2 (64 bit); Windows Server 2012 (64-bit); 200 MB available hard disk space; CD-ROM or DVD drive, or Internet connection; Dedicated universal serial bus (USB 1.1 or 2.0), or network connection; Operating system compatible hardware system requirements see microsoft.com; Mac: OS X 10.6 Snow Leopard; OS X 10.7 Lion; OS X 10.8 Mountain Lion; OS X 10.9 Mavericks; CD-ROM or DVD drive, or internet connection; Dedicated universal serial bus (USB 1.1 or 2.0), or network connection; 1 GB of available hard-disk space
Environmental ranges	Operating temperature range: 15 to 30° C (59 to 86° F); Recommended operating temperature: 17 to 25° C (62.6 to 77° F); Non-operating humidity range: 10 to 90% RH; Operating humidity range: 10 to 80% RH; Recommended operating humidity range: 30 to 70% RH
Acoustic⁸	Acoustic power emissions: 7.1 B(A); Acoustic pressure emissions: 56 dB(A)
Power	Power supply type: Built-in power supply; Power supply required: 110-volt input voltage: 110 to 127 VAC (+/- 10%), 60 Hz (+/- 2 Hz), 12 A; 220-volt input voltage: 220 to 240 VAC (+/- 10%), 50 Hz (+/- 2 Hz), 6 A (Not dual voltage, power supply varies by part number with # Option code identifier); Power consumption: 797 watts (Printing), 83 watts (Ready), 7 watts (Sleep), 0.07 watts (Manual Off), 1.53 (Auto Off/Wake on LAN), 0.07 (Auto Off/Manual On)
Fonts and typefaces	105 internal TrueType fonts scalable in HP PCL, 92 internal scalable fonts in HP Postscript level 3 emulation (Euro symbol built-in); 1 Internal Unicode Fonts (Andale Mono WorldType); 2 Internal Windows Vista 8 Fonts (Calibri, Cambria); additional font solutions available via third-party flash memory cards; HP LaserJet Fonts and IPDS Emulation available at hp.com/go/laserjetfonts
Display	20.3 cm (8-inch) capacitive-touchscreen, SVGA (800 x 600 resolution), gesture support
Software included	Windows: HP Installer/Uninstaller, HP PCL 6 print driver, Wizard, Scan to Folder Setup Wizard, Scan-to-e-mail setup Wizard, HP Send Fax, DXP (Device Experience), HP Help & Learn Center, Product Registration Assist Mac: HP Installer/Uninstaller, HP Postscript driver, HP Utility, HP Alerts, HP Firmware Updater
Security management	Identity management; Kerberos authentication, LDAP authentication, 1000 user PIN codes, optional HP and 3rd party advanced authentication solutions (e.g., badge readers); Network: IPsec/firewall with Certificate, Pre-Shared Key, and Kerberos authentication, Supports WJA-10 IPsec configuration Plug-in, 802.1X authentication (EAP-PEAP EAP-TLS), SNMPv3, HTTPS, Certificates, Access Control List; Data: Storage Encryption, Encrypted PDF & Email (uses FIPS 140 validated cryptographic libraries from Microsoft), Secure Erase, SSL/TLS (HTTPS), Encrypted Credentials; Device: Security lock slot, USB port disablement, hardware integration pocket for security solutions; Security management: Compatible with HP Imaging and Printing Security Center

¹ Measured using ISO/IEC 24734, excludes first set of test documents. For more information see hp.com/go/printerclaims. Exact speed varies depending on the system configuration, software application, driver, and document complexity. ² Exact speed varies depending on the system configuration, software application, driver and document complexity. ³ May require a firmware upgrade to be compatible, download at hp.com/go/suppl. ⁴ First Copy Out and Copy Speed measured using ISO/IEC 29183, excludes first set of test documents. For more information see hp.com/go/printerclaims. Exact speed varies depending on the system configuration, software application, driver, and document complexity. ⁵ Duty cycle is defined as the maximum number of pages per month of imaged output. This value provides a comparison of product robustness in relation to other HP LaserJet or HP Color LaserJet devices, and enables appropriate deployment of printers and MFPs to satisfy the demands of connected individuals or groups. ⁶ HP recommends that the number of pages per month of imaged output be within the stated range for optimum device performance, based on factors including supplies replacement intervals and device life over an extended warranty period. ⁷ HP recommends that the number of printed pages per month be within the stated range for optimum device performance, based on factors including supplies replacement intervals and device life over an extended warranty period. ⁸ Acoustic values are subject to change. For current information see hp.com/support. Configuration tested: M680f model, simplex printing, A4 paper at an average of 43 ppm. ⁹ Power requirements are based on the country/region where the printer is sold. Do not convert operating voltages. This will damage the printer and void the product warranty.

To learn more, visit hp.com

© Copyright 2014 Hewlett-Packard Development Company, L.P. The information contained herein is subject to change without notice. The only warranties for HP products and services are set forth in the express warranty statements accompanying such products and services. Nothing herein should be construed as constituting an additional warranty. HP shall not be liable for technical or editorial errors or omissions contained herein.

Microsoft and Windows are registered trademarks of Microsoft Corporation. AirPrint is a trademark of Apple Inc., registered in the U.S. and other countries. Linux is a U.S. registered trademark of Linus Torvalds. UNIX is a registered trademark of The Open Group. NetWare® is a trademark of Novell, Inc. PANTONE® and other Pantone, Inc. trademarks are the property of Pantone, Inc. ENERGY STAR and the ENERGY STAR logo are registered U.S. marks.

