



# HP DesignJet Rugged Case<sup>1</sup>

## Ruggedize your device

Delivering added protection in rough, dusty environments, the HP DesignJet Rugged Case<sup>1</sup> helps ensure your printer is ready wherever you need it



*The HP DesignJet Rugged Case is best suited for industries where dust and damage is a threat, including construction, mining, oil & gas, and others.*

### SAFEGUARD during transport

When moving your printer from the office to another location, **the rugged case protects it from scratches, bumps, and other in-transit accidents.**

### PROTECT on location

When moving the printer in locations with rough and irregular terrain, **large, rugged wheels on the case provide stability and traction for safe, easy mobility.**

### SECURE during usage

When using the printer with the rugged case on, you'll find it incredibly easy to open and close. **Protect the device from dust and water with the case closed; safeguard against hits and bumps even when it's open.**

For more information, please visit  
[hp.com/go/designjetT830](http://hp.com/go/designjetT830)  
[hp.com/go/designjetT730](http://hp.com/go/designjetT730)



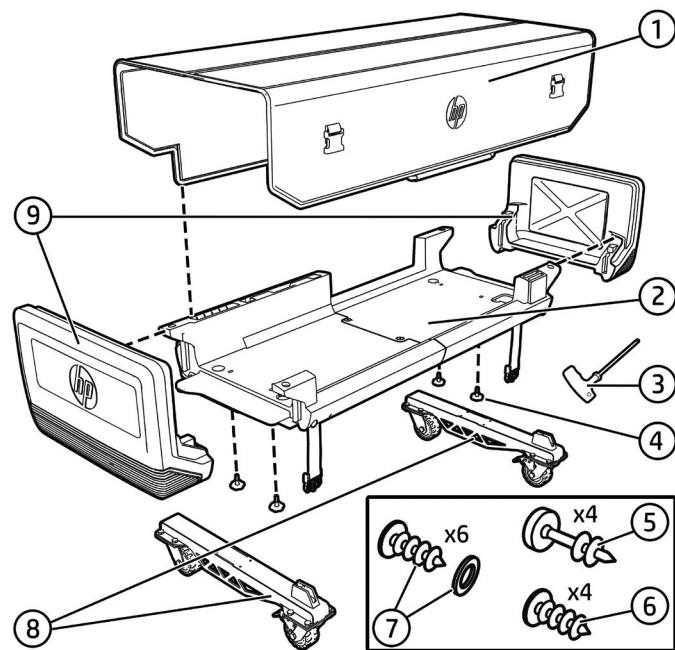
<sup>1</sup> This case is designed to help protect your device against accidental damage from small hits, dust or water. No guarantees can be made by the manufacturer.

## Technical specifications

<b>Shipping dimensions (w x d x h)</b>	1542 x 565 x 639 mm (60.7 x 22.2 x 25.2 in)
<b>Shipping weight</b>	38 kg (83.8 lb)
<b>What's in the box</b>	Fabric cover, printer support, screwdriver, screw-in knobs, screws and washers, wheeled feet, lateral supports, setup guide
<b>Warranty</b>	90 days, replacement

## Ordering information

<b>Product</b>	N9M07A	HP DesignJet Rugged Case
	T5D66A	HP DesignJet T730 with Rugged Case Only available in AMS
	T5D67A	HP DesignJet T830 MFP with Rugged Case Only available in AMS

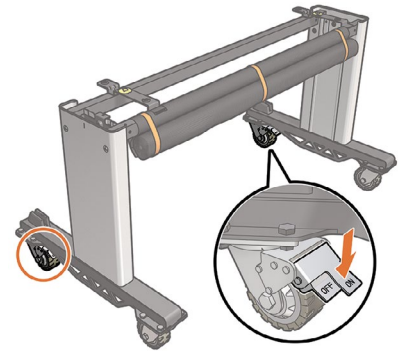


1. Rugged Case fabric cover
2. Rugged Case printer support
3. Screwdriver
4. screw-in knobs should be capitalized to be consistent
5. Tor screw (45mm long)
6. Tor screw (35mm long)
7. Screws and washers
8. Wheeled foot
9. Rugged Case lateral support

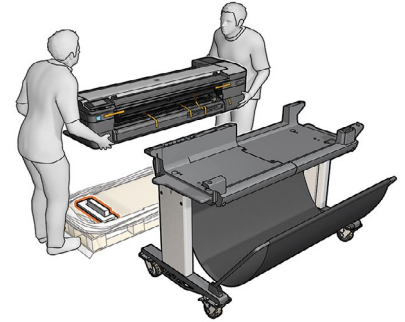
## HP DesignJet Rugged Case for HP DesignJet T830 Multifunction Printer and HP DesignJet T730 Printer

## Assembly

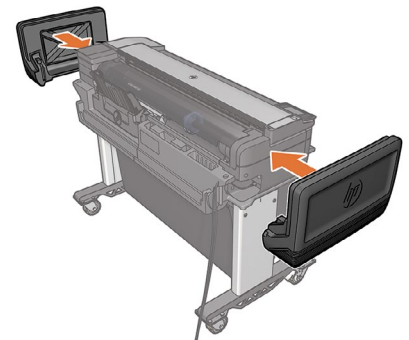
### BASE



### PRINTER



### LATERAL



### FABRIC BAG

