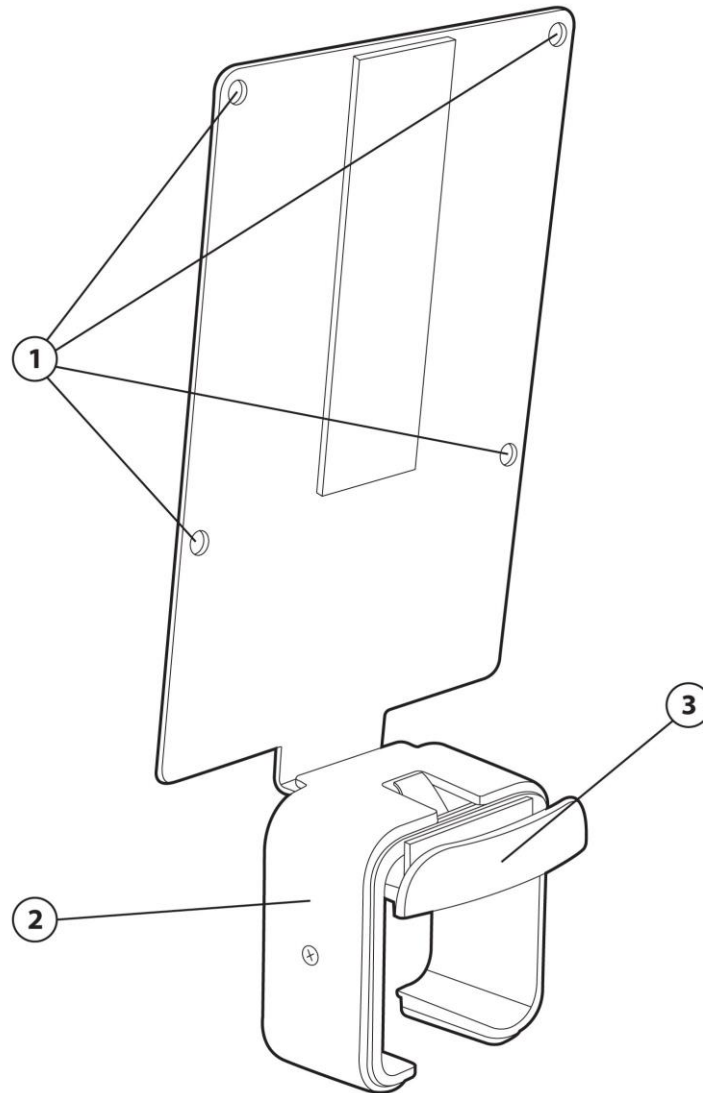


Overview

HP Thin Client Mount Kit



1. VESA mount holes for mounting the Thin Client or USDT PC
2. Mount insert snaps into cable tunnel in column of select Z displays
3. Release button for removing the mount from the stand

Overview

Model

Number: E5J35AA

Introduction

Attach your HP Thin Client to the back of select HP Z Displays and maintain optimal ergonomic adjustability with the HP Thin Client Mount Kit.[1]

Key features and benefits

- Enjoy a unique solution for mounting HP Thin Clients to the back of 24-, 27-, and 30-inch diagonal HP Z Displays.[1] Now there are no screen size limits to creating a compact "all-in-one" workspace with a thin client or USDT.
- Retain all the benefits of the HP Z Display's 4-way adjustable comfort since the Kit attaches to the display stand.[1]
- Quickly assemble by attaching the HP Thin Client the Kit's VESA plate, and then slide the bracket onto the display stand. You can also keep your display cabling intact—no disassembly required.[1]

NOTE 1: Displays, and thin clients are sold separately.

Compatibility

The HP Thin Client Mount Kit is designed to exclusively accommodate HP Ultra-slim Desktop PC models or HP Thin Clients, compatible models shown below (each sold separately) when combined with the HP monitors shown below (each sold separately).

HP Performance Monitor Compatibility

Z24i

Z27i

Z30i

Thin Client Compatibility

HP t310* OK

HP t410 OK

t420 Thin Client OK

t520 Thin Client OK

t620 Thin Client OK

t620 PLUS Thin Client OK

*Requires the kit: "VESA Mount Jacket for HP t310 ", part number D4D96AA.

Technical Specifications

Mechanical	Dimensions (H x W x D)	Unpackaged	23.53 x 11.1 x 57.78 cm (9.26 x 4.37 x 2.27 in)
		Packaged	24.0 x 12.18 x 70.75 cm (9.45 x 4.79 x 2.78 in)
	Weight	Unpackaged	0.445 kg (0.98 lbs)
		Packaged	0.580 kg (1.28 lbs)
Other	Option kit contents	HP Thin Client Mount, mounting screws, installation guide, warranty card.	
Limited Warranty	The HP Thin Client Mount Kit carries a one-year limited warranty. Technical support is available seven days a week, 24 hours a day, by phone, as well as online support forums. Certain restrictions and exclusions apply.		

Summary of Changes

Date of change:	Version History:		Description of change:
August 31, 2015	From v1 to v2	Removed	Unsupported platforms

© Copyright 2015-2015 Hewlett-Packard Development Company, L.P. The information contained herein is subject to change without notice. The only warranties for HP products and services are set forth in the express warranty statements accompanying such products and services. Nothing herein should be construed as constituting an additional warranty. HP shall not be liable for technical or editorial errors or omissions contained herein. Microsoft and Windows are either trademarks or registered trademarks of Microsoft Corporation in the U.S. and/or other countries.