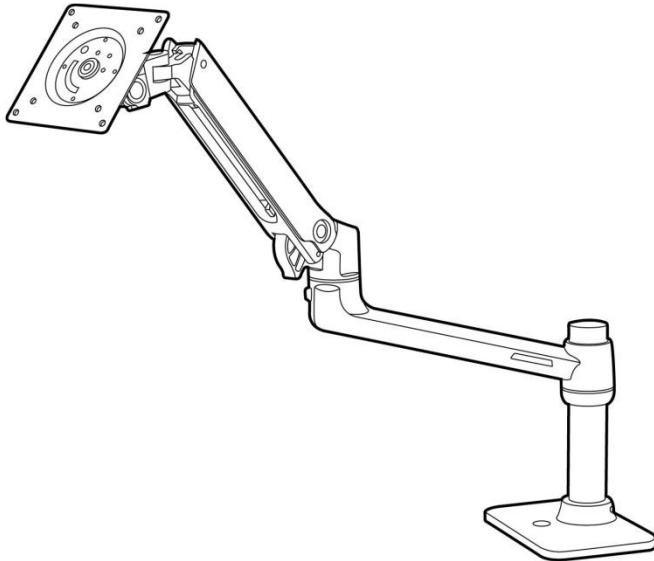
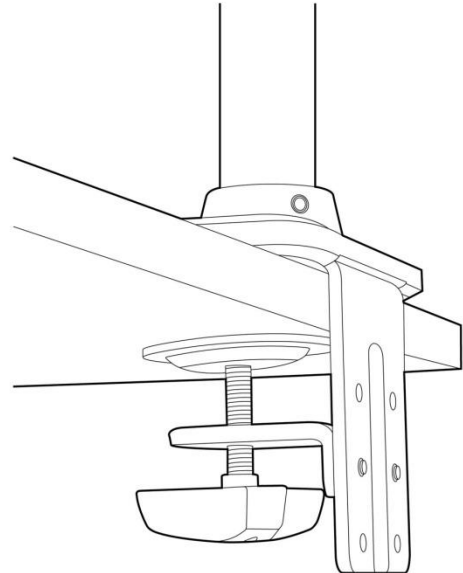


### HP Single Monitor Arm



**Single Monitor Arm**



**Single Monitor Arm Clamp**

### Models

HP Single Monitor Arm

BT861AA

### Introduction

The HP Single Monitor Arm is the perfect desk accessory for your work life. Sleek and streamlined, the HP Single Monitor Arm is designed to complement the way you work.

The HP Single Monitor Arm comes with a sturdy base and clamp, which attaches to the edge of your desk or worktable. It includes convenient cable management to route cables under the arm and out of the way, and to help reduce cable clutter on your workspace. It also provides a range of display adjustments including 13 inches of lift, 75 degrees of tilt, and 360 degrees of pan and rotation, so you can adjust the height and angle of your monitor. Connect the monitor to your laptop or desktop PC, and stay comfortable and productive throughout the day.

HP provides a portfolio of professional-grade accessories to help you achieve your business goals, increase productivity and lower your costs. All HP accessories go through rigorous testing and are certified to work seamlessly with your HP Desktop, Notebook, or All-in-One PC. They are backed up by HP's world-class support.

### Key Benefits

- Space saving design frees up valuable desk space
- Supports monitors up to 27 inches
- Flexible arm adjusts to your size, posture and work preference
- Locate the arm wherever it is most convenient for you on a desk, and secure then it with the adjustable clamp

### Compatibility



The HP Single Monitor Arm is compatible with the HP ProDesk 400 G2 DM (Mini); HP ProDesk 400 G3 DM (Mini); HP ProOne 400 G2 AIO Touch; HP ProOne 400 G2 AIO Non-Touch; HP ProOne 400 G3 AIO Touch; HP ProOne 400 G3 AIO Non-Touch; HP ProOne 600 G2 AIO 21.5" Touch; HP ProOne 600 G2 AIO 21.5" Non-Touch; HP ProOne 600 G3 AIO 21.5" Non-Touch; HP EliteDesk 705 G2 MT; HP EliteDesk 705 G3 MT; HP EliteDesk 705 G2 SFF; HP EliteDesk 705 G3 SFF; HP EliteDesk 705 G2 Desktop Mini; HP EliteDesk 705 G3 Desktop Mini; HP EliteOne 800 G2 AIO 23" Touch; HP EliteOne 800 G2 AIO 23" Non-Touch; HP EliteOne 800 G3 AIO 23.8" NT; HP EliteOne 800 G3 AIO 23.8" Touch.

**NOTE:** Not all models are available in all regions.

### Compatible Monitors

Monitors must be in compliance with VESA standard 100 x 100 mm AND Meet the weight and display thickness requirements as follows:

Maximum Display Thickness	Maximum Display Weight
2.00" (51 mm)	20 lbs (9.1kg)
2.25" (64 mm)	17 lbs (7.7kg)
3.00" (76 mm)	16 lbs (7.3 kg)
3.50" (90 mm)	14 lbs (6.4 kg)
4.00" (102 mm)	13 lbs (5.9 kg)
	20 lbs (9.1kg)
<b>Minimum Weight</b> 7 lbs (3.2 kg)	

### Service and Support

One-year limited warranty. Additional support is available 24 hours a day, seven days a week by phone as well as online support forms.

**NOTE:** Certain restrictions and exclusions apply. Consult the HP Customer Support Center for details.

### Technical Specifications

<b>HP Single Monitor Arm</b>	<b>Basic Product Specifications</b>	<b>Assumed Display Size</b>	Supports displays up to 27 in (68.58 cm)
		<b>Assumed Weight of Display</b>	Supports displays weighing 7–20 lbs (3.1–9.1 kg) <i>* Monitor depth greater than 2 in (5 cm) may diminish capacity.</i>
		<b>VESA Configuration</b>	MIS-D Mounting Standards: VESA FDMI, MIS-D, 75/100, C (hole pattern = 100 x 100 mm & 75 x 75 mm)
		<b>Desk Mounting Configuration</b>	Desk Clamp attaches to surface edge 0.4 in to 2.4 in (10 to 60 mm) thick; Grommet Mount attaches through surface holes 0.31 in to 2 in (8 to 50 mm) wide and up to 3 in (76 mm) thick
		<b>Add-Ons – Soundbar, Non-Standard Cables, etc.</b>	None assumed
	<b>Product Features</b>	<b>Tilt Adjustment Range</b>	75° Total Range (+70° rear / –5° front)
	<b>Height Adjustment Range</b>	13 inches (330mm)	
	<b>Landscape to Portrait</b>	360° P/L	
	<b>Landscape to Portrait Detent</b>	None	
	<b>Side to Side Pan</b>	Pans at pole 360°; pans at extension 360°; pans at monitor 180°	



<b>Arm Extension</b>	Extends/retracts LCD up to 25.6 in (650 mm)	
<b>Quick Release Mechanism</b>	None	
<b>Tilt Lock Feature</b>	None	
<b>Cable Management Feature</b>	Cable management feature included underneath the lift arm and extension arm	
<b>Weight Adjustment Feature</b>	End user weight adjustment feature included	
<b>Product Finish</b>	HP Black	
<b>Safety, Testing and Environmental Specifications</b>	<b>Product Storage and Transportation Temperature</b>	-4° to +140° F (-20° to +60° C)
	<b>Operating Temperature</b>	32° to 104° F (0° to 40° C)
<b>Manuals and Accessories</b>	<b>Safety Considerations</b>	Engineered to meet Ergotron's workmanship standard for safety.
	<b>Regulatory/Usability/ Environmental Requirements</b>	RoHS – Standard
	<b>Product Testing Procedure &amp; Design Standard</b>	The product testing procedure & design standard will be determined, documented and monitored by Ergotron.
<b>Manuals and Accessories</b>	<b>Operating Life</b>	NA
	<b>Install guides and warranty info requirements</b>	None
	<b>Accessory Kits</b>	Includes desk clamp and grommet mount accessory kits

© Copyright 2017 HP Development Company, L.P.

The information contained herein is subject to change without notice.

The only warranties for HP products and services are set forth in the express warranty statements accompanying such products and services. Nothing herein should be construed as constituting an additional warranty. HP shall not be liable for technical or editorial errors or omissions contained herein.

### Summary of changes

Date of change:	Version History:		Description of change:
December 12, 2014	V13 to v14	Change	<ol style="list-style-type: none"> <li>1. Key Benefits “Supports up to one 30” diagonal display”</li> <li>2. Compatible Monitors - remove the list of compatible monitors and instead add a new list</li> <li>3. Technical Specifications: Assumed Display Size: Supports displays up to 30 in (76.2 cm)</li> </ol>
December 15, 2014	From v14 to v15	Change	Arrange the table for compatible sections
February 23, 2017	From v15 to v16	Update	Key Benefits section (monitors up to 27 inches). Assumed Display Size section (centimeters value)
November 9, 2017	From v16 to v17	Change	Compatibility updated