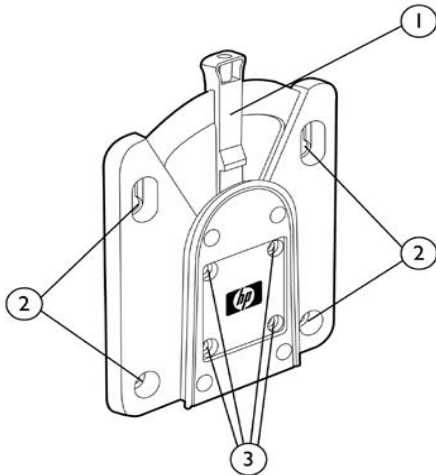
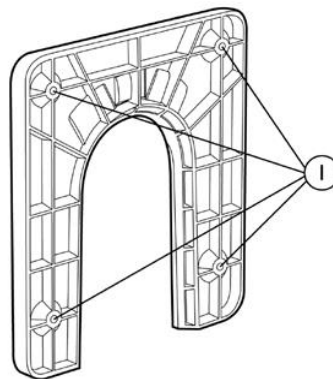


### Overview

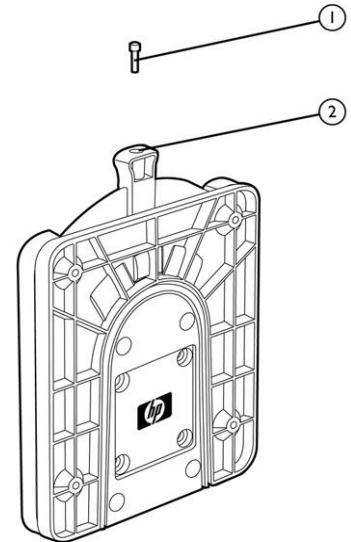
#### HP Quick Release Bracket QuickSpecs



1. Release/locking
2. Four 100 mm VESA mount screw holes
3. Mounting holes for attachment to back of select Performance series monitor stands



1. Four 100 mm VESA mount screw holes



1. Locking pin screw
2. Locking pin hole on release/locking arm

### Models

Part Numbers:

HP Quick Release : EM870AA

### Introduction

HP offers a variety of optional products (each sold separately) designed to complement our monitors and clients to enhance the overall computing experience.

The HP Quick Release Bracket is designed for use with 100 mm VESA-compatible flat panel monitors and clients.

HP Quick Release is an easy to use, 100 mm VESA-compliant, monitor and client mounting solution that allows you to quickly and securely attach to a variety of stands, brackets, arms or wall mounts. The failsafe "Sure-Lock" mechanism snaps the monitor or client securely in place, and can be further secured with a theft deterrent security screw.

### Uniquely flexible product configurations

HP Quick Release enables uniquely flexible product configuration alternatives in a variety of settings, such as:

- Storefronts/kiosks: Mount flat panel monitors for easy viewing and add touchscreens for interactivity.
- Trade shows: Securely mount LCD TVs or monitors in common areas and quickly remove them for safekeeping at the end of the day.
- Front office environments: Minimize desk space requirements with wall or swing-arm mounting of monitors in reception areas.
- Medical/institutional settings: Securely mount monitors in nursing stations and public areas.
- Conference rooms: Mount projectors (with 100 mm VESA-compliant pre-drilled holes) on ceilings, and monitors on walls or tables.

### Compatibility

The HP Quick Release Bracket is designed to integrate with select HP monitors and clients, in configurations as noted below

Compatible HP Mounting Scenarios				
	Direct mounting of monitor to wall	Direct mounting of monitor to HP Single Monitor Arm	Direct mounting of monitor to HP ProDisplay Companion Stand	Direct mounting of monitor to HP Integrated Work Center stands
<b>Monitor Requirements</b>	100 x 100 mm VESA mount Head Weight: <24 lb (10.9 kg)	100 x 100 mm VESA mount Head Weight: 7 to 20 lbs* (3.2 to 9.1 kg) Screen Size: up to 27 in (68.6 cm)	select Pro Displays only	100 x 100 mm VESA mount Head Weight: 5 to 11 lbs (2.3 to 5.0 kg) Screen Size: 17 to 27 in (43.2 to 61.0 cm)

### Compatible PC

Compatible PCs include all Desktop Minis and Accessories, Chromebox, and select Thin Clients

\*Monitor depth greater than 2 in (5 cm) may diminish capacity

### Direct mounting of select DT Mini, Chromebox, and Thin Clients to monitor

Monitor Model	260 DM G1/G2	400/600/800 G1/G2/G3 DM	Chromebox	t310	t410	t510	t520	t620
P202va**	OK	OK	OK	OK	OK		OK	
P202/P202m/P203**	OK	OK	OK	OK	OK	OK	OK	OK
P223**	OK	OK	OK	OK	OK	OK	OK	
P232**	OK	OK	OK	OK	OK	OK	OK	
P240/P242va**	OK	OK	OK	OK	OK	OK	OK	
V193b/V196	OK		OK	OK	OK			
V212a	OK		OK	OK	OK		OK	
V222	OK		OK	OK	OK		OK	OK
V272	OK	OK	OK	OK	OK	OK	OK	OK

### Service and support

Your Option Limited Warranty is a one (1) year (HP Option Limited Warranty Period) parts replacement warranty on any HP-branded or Compaq-branded options (HP Options). If your HP Option is installed in an HP Hardware Product, HP may provide warranty service either for the HP Option Limited Warranty Period or the remaining Limited Warranty Period of the HP Hardware Product in which the HP Option is being installed, whichever period is the longer but not to exceed three (3) years from the date you purchased the HP Option.

### Technical specifications (EM870AA)

Mechanical	Dimensions (H x W x D)	Packaged:	7.8 x 6.25 x 1.5 in (19.8 x 15.9 x 3.8 cm)
		Unpackaged:	6.3 x 5.2 x 0.65 in (16 x 13.2 x 1.65 cm)
	Weight	Packaged:	1.1 lb (0.49 kg)
		Unpackaged:	0.82 lb (0.37 kg)

### Additional components

Four 20 mm mounting screws (for attachment to back of select HP monitor stands)

Four 12 mm mounting screws

2mm and 7mm spacers

- A 2 mm spacer to accommodate:
  - EliteDisplay: E201, E221, E221c, E231, E241i, E271i, S231d
  - Z Display: Z22i & Z23i
  - Specialty: L2311c
- A 7 mm spacer to accommodate the Z24i, Z27i, Z22n, Z23n, Z24nf, Z24nq, Z24n, Z24s, Z25n, Z27n, P202va, P232, P242va, P240va, P203, P223, E240, E242q, E270, E270q

**Color** Black

- Notes:**
1. No HP monitors allow positioning of a thin client product between a monitor screen and its stand.
  2. The Quick Release device is not to be used between a monitor screen and its stand unless provided that way from the factory.
  3. Under no circumstances is the Quick Release device intended to be used in an orientation where the Release/Lock lever is oriented downward.

**Supported weight capacity** The HP Quick Release has been designed to support a maximum of up to 24 lbs (10.9 kg) depending upon the mounting configuration used. Please note this is a total weight limit for all devices mounted, i.e. the combined weight of the monitor and a second device such as an HP thin client product cannot exceed 24 pounds. Because mounting surfaces vary widely and the final mounting method and configuration may vary, mounting fasteners are not supplied (other than the VESA-compliant screws). HP recommends that you consult with a qualified engineering, architectural or construction professional to determine the appropriate type and quantity of mounting fasteners required for your application and to ensure that your mounting solution is properly installed to support applied loads.

---

© 2017 HP Development Company, L.P. HP shall not be liable for technical or editorial errors or omissions contained herein. The information is provided as is without warranty of any kind and is subject to change without notice. The warranties for HP products are set forth in the express limited warranty statements accompanying such products. Nothing herein should be construed as constituting an additional warranty. All performance specifications are provided by the component manufacturer. Performance specifications represent component manufacturer averages and actual performance may vary.

# QuickSpecs

<b>Date of change:</b>	<b>Version History:</b>		<b>Description of change:</b>
July 17,2014	From v31 to v39	Upgrade	Change version so it would match the version on the PB
		Added	Change log
March 2, 2015	From v39 to v40	Changed	Change the name From HP Quick Release QuickSpecs to HP Quick Release Bracket QuickSpecs Also – within the document, wherever it is mentioned HP Monitor Quick Release needs to be HP Quick Release Bracket
April 8, 2015	From v40 to v41	Changed	Changed the whole format and information for the compatibility, overview and technical specification
March 6, 2017	From v41 to v42	Update	Updated the compatibility overview and technical specification