

### Overview

## HP Chassis Accessories

### HP (10 Sets) 400 G2/700 G1/ 705 G1 Bezel Support Kit

Quickly and easily install an after-market optical disk drive<sup>1</sup> into your HP Business Desktop chassis with the HP (10 Sets) 400 G2/700 G1/ 705 G1 Bezel Support Kit.

1. Sold separately.

---

#### Model

HP (10 Sets) 400 G2/700 G1/ 705 G1 Bezel Support Kit

J4R48AA

---

#### Key Benefits

- Help ensure a secure fit with a Kit specifically designed to fit your HP form factor, seal the installation, and maintain the aesthetic lines of your PC.
- Simplify mass deployments with a 10-pack.

---

#### Compatibility

HP (10 Sets) 400 G2/700 G1/ 705 G1 Bezel Support Kit is compatible with the HP ProDesk 400 G2 MT and SFF, HP ProDesk 405 G1 MT, HP ProDesk 490 G1 MT, HP EliteDesk 700 G1 MT and SFF, HP EliteDesk 705 G1 MT and SFF Business Desktop PCs.

---

#### Spares Information

ODD, BEZEL BLANK, ENT14

756814-001

SPS-Bezel Slim ODD ENT14 MT

783214-001

---

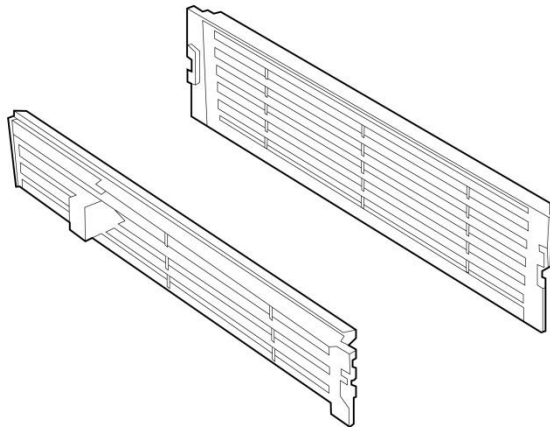
#### Service and Support

Your Option Limited Warranty is a one (1) year (HP Option Limited Warranty Period) parts replacement warranty on any HP-branded or Compaq-branded options (HP Options). If your HP Option is installed in an HP Hardware Product, HP may provide warranty service either for the HP Option Limited Warranty Period or the remaining Limited Warranty Period of the HP Hardware Product in which the HP Option is being installed, whichever period is the longer but not to exceed three (3) years from the date you purchased the HP Option.

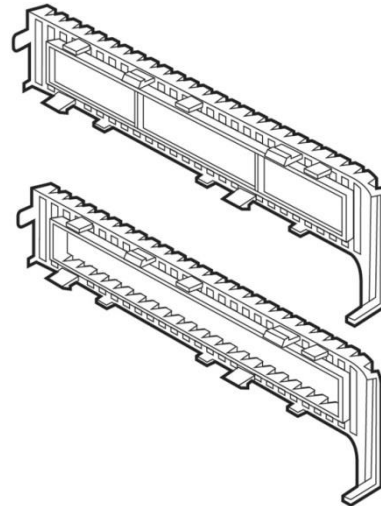
### Overview

#### HP (10 Sets) 400 G1 Bezel Support Kit

Help secure the fit of your after-market optical disk drive into your desktop chassis with the HP (10 Sets) 400 G1 Bezel Support Kit.



Top and Bottom Optical Disc Drive (ODD) Blanks for MT



Slim ODD Blank and Trim for Small Form Factor (SFF)

#### HP (10 Sets) 400 G1 Bezel Support Kit

<b>Model</b>	HP (10 Sets) 400 G1 Bezel Support Kit	E1C67AA
--------------	---------------------------------------	---------

#### Key Benefits

- Specifically designed to fit your form factor, seal the installation, and maintain the aesthetic lines of your PC.
- The 10-pack simplifies easy mass deployments.
- Each support kit contains 40 screws (4 for each drive) for supporting additional 2.5" drives.

#### Compatibility

HP (10 Sets) 400 G1 Bezel Support Kit is compatible with the HP ProDesk 400 G1 MT and SFF, HP ProDesk 405 G1 MT, and HP ProDesk 490 G1 MT Business Desktop PCs.

#### Spares Information

Top ODD, Bezel Blank MT	724102-001
Bottom ODD, Bezel Blank MT	724103-001
Slim ODD, Bezel Blank SFF	718544-001
Slim ODD, Bezel Blank Open SFF	718545-001

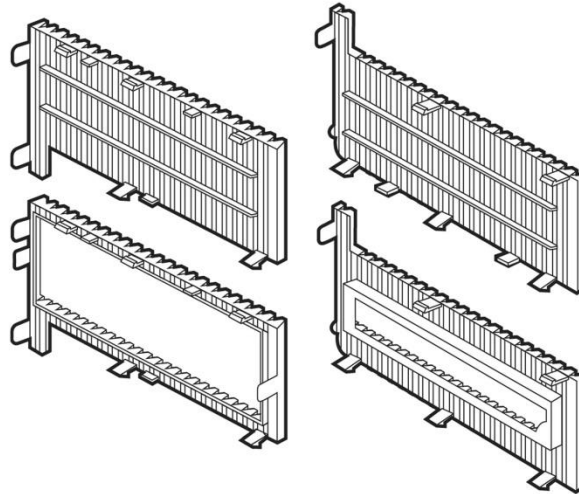
#### Service and Support

Your Option Limited Warranty is a one (1) year (HP Option Limited Warranty Period) parts replacement warranty on any HP-branded or Compaq-branded options (HP Options). If your HP Option is installed in an HP Hardware Product, HP may provide warranty service either for the HP Option Limited Warranty Period or the remaining Limited Warranty Period of the HP Hardware Product in which the HP Option is being installed, whichever period is the longer but not to exceed three (3) years from the date you purchased the HP Option.

### Overview

#### HP (10 Sets) 600/800 TWR Bezel Support Kit

Help secure the fit of your after-market optical disk drive into your desktop chassis with the HP (10 Sets) 600/800 TWR Bezel Support Kit.



**HP (10 Sets) 600/800 TWR Bezel Support Kit**

---

<b>Model</b>	
HP (10 Sets) 600/800 TWR Bezel Support Kit	E1C66AA

---

#### Key Benefits

- Specifically designed to fit your form factor, seal the installation, and maintain the aesthetic lines of your PC.
  - The 10-pack simplifies easy mass deployments.
  - Each support kit contains 40 screws (4 for each drive) for supporting additional 2.5" drives.
- 

#### Compatibility

HP (10 Sets) 600/800 TWR Bezel Support Kit is compatible with the HP EliteDesk 800 G1 TWR and HP ProDesk 600 G1 TWR Business Desktop PC.

---

#### Spares Information

ODD, Bezel Blank TWR	717247-001
Slim ODD, Bezel Blank Open TWR	717248-001
ODD, Bezel Blank Opening TWR	717705-001
Slim ODD, Bezel Blank TWR	717706-001

---

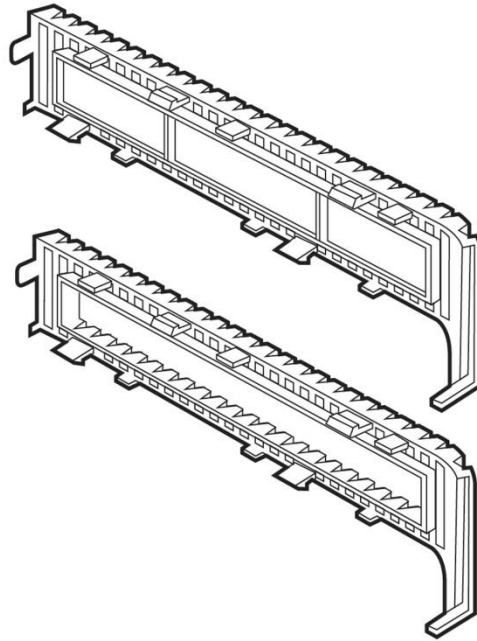
#### Service and Support

Your Option Limited Warranty is a one (1) year (HP Option Limited Warranty Period) parts replacement warranty on any HP-branded or Compaq-branded options (HP Options). If your HP Option is installed in an HP Hardware Product, HP may provide warranty service either for the HP Option Limited Warranty Period or the remaining Limited Warranty Period of the HP Hardware Product in which the HP Option is being installed, whichever period is the longer but not to exceed three (3) years from the date you purchased the HP Option.

### Overview

#### HP (10 Sets) 600/800 SFF Bezel Support Kit

Help secure the fit of your after-market optical disk drive into your desktop chassis with the HP (10 Sets) 600/800 SFF Bezel Support Kit.



**HP (10 Sets) 600/800 SFF Bezel Support Kit**

---

<b>Model</b>	
HP (10 Sets) 600/800 SFF Bezel Support Kit	E3F27AA

---

#### Key Benefits

- Specifically designed to fit your form factor, seal the installation, and maintain the aesthetic lines of your PC.
  - The 10-pack simplifies easy mass deployments.
  - Each support kit contains 40 screws (4 for each drive) for supporting additional 2.5" drives.
- 

#### Compatibility

HP (10 Sets) 600/800 SFF Bezel Support Kit is compatible with the HP EliteDesk 800 G1 SFF and HP ProDesk 600 G1 SFF Business Desktop PC.

---

#### Spares Information

Slim ODD, Bezel Blank Open SFF	718545-001
Slim ODD, Bezel Blank SFF	718544-001

---

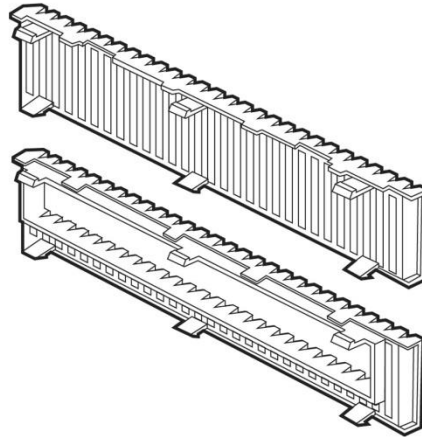
#### Service and Support

Your Option Limited Warranty is a one (1) year (HP Option Limited Warranty Period) parts replacement warranty on any HP-branded or Compaq-branded options (HP Options). If your HP Option is installed in an HP Hardware Product, HP may provide warranty service either for the HP Option Limited Warranty Period or the remaining Limited Warranty Period of the HP Hardware Product in which the HP Option is being installed, whichever period is the longer but not to exceed three (3) years from the date you purchased the HP Option.

### Overview

#### HP (10 Sets) 800 USDT Bezel Support Kit

Help secure the fit of your after-market optical disk drive into your desktop chassis with the HP (10 Sets) 600/800 USDT Bezel Support Kit.



#### HP (10 Sets) 800 USDT Bezel Support Kit

---

<b>Model</b>	
HP (10 Sets) 800 USDT Bezel Support Kit	E3F28AA

---

#### Key Benefits

- Specifically designed to fit your form factor, seal the installation, and maintain the aesthetic lines of your PC.
  - The 10-pack simplifies easy mass deployments.
- 

#### Compatibility

HP (10 Sets) 800 USDT Bezel Support Kit is compatible with the HP EliteDesk 800 G1 USDT Business Desktop PC.

---

#### Spares Information

Slim ODD, Blank Bezel, Open USDT	718554-001
Slim ODD, Blank Bezel USDT	718554-002

---

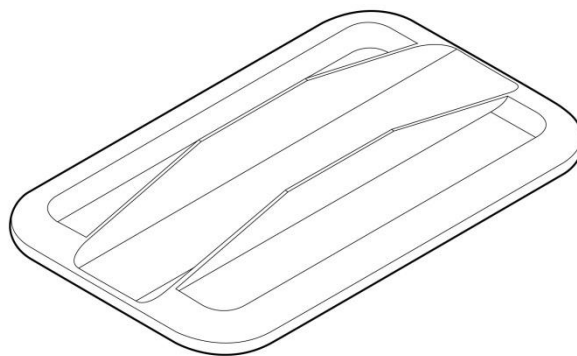
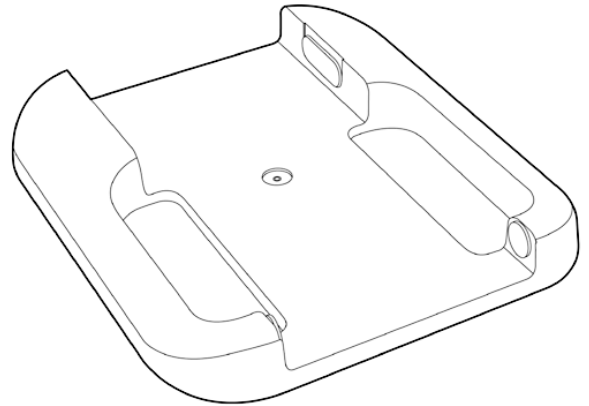
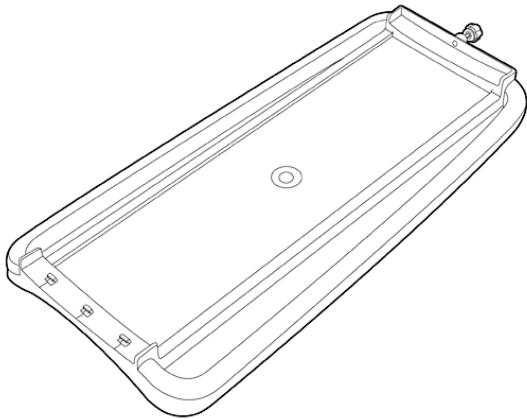
#### Service and Support

Your Option Limited Warranty is a one (1) year (HP Option Limited Warranty Period) parts replacement warranty on any HP-branded or Compaq-branded options (HP Options). If your HP Option is installed in an HP Hardware Product, HP may provide warranty service either for the HP Option Limited Warranty Period or the remaining Limited Warranty Period of the HP Hardware Product in which the HP Option is being installed, whichever period is the longer but not to exceed three (3) years from the date you purchased the HP Option.

### Overview

#### HP Tower Stands

Free up your valuable desk space with HP Tower Stands.



#### HP Tower Stands

---

Model	
HP (dx5150 SFF, rp5000 SFF) Tower Stand	DE870A
HP USDT Tower Stand	GJ117AA
HP 2007 SFF Tower Stand	GJ118AA
HP 2009 (Black) SFF Tower Stand	VN569AA
HP 2009 (Black) USDT Tower Stand	VN568AA
HP DM Chassis Tower Stand	G1K23AA
HP 2x2 SFF Stand	N3R84AV

#### Key Benefits

- Free up valuable desk space

#### Compatibility

HP (dx5150 SFF, rp5000 SFF) Tower Stand – DE870A is compatible with the HP Compaq dx5150 and HP Point of Sale System rp5000 small form factor desktops.

### Overview

HP USDT Tower Stand – GJ117AA is compatible with HP Compaq dc7800 and dc7900 Ultra-slim Desktops.

HP 2007 SFF Tower Stand – GJ118AA is compatible with HP Compaq dc7900, dc5800 and dc5850 Small Form Factor Desktops.

HP 2009 (Black) SFF Tower Stand – VN569AA is compatible with the HP Compaq 4000 Pro, HP Compaq 6000 Pro, HP Compaq 6005 Pro, HP Compaq 6200 Pro, HP Compaq 8000 Elite, HP Compaq 8100 Elite , HP EliteDesk 800 G1 SFF and HP ProDesk 600 G1 SFF Business Desktop PC. and HP Compaq 8200 Elite Small Form Factor and HP Compaq 8300 Elite Small Form Factor Desktops.

HP 2009 (Black) USDT Tower Stand – VN568AA is compatible with the HP Compaq 6005 Pro, HP Compaq 8000 Elite, HP Compaq 8000f Elite, and HP Compaq 8300 Elite, HP EliteDesk 800 G1 USDT Business Desktop PC Ultra-slim Desktops.

HP DM Chassis Tower Stand – G1K23AA is compatible with HP EliteDesk 800 G1 DM (Mini) and HP ProDesk 600 G1 DM (Mini).

HP 2x2 SFF Stand is compatible with HP ProDesk 400 G2.5 SFF.

### Spares information

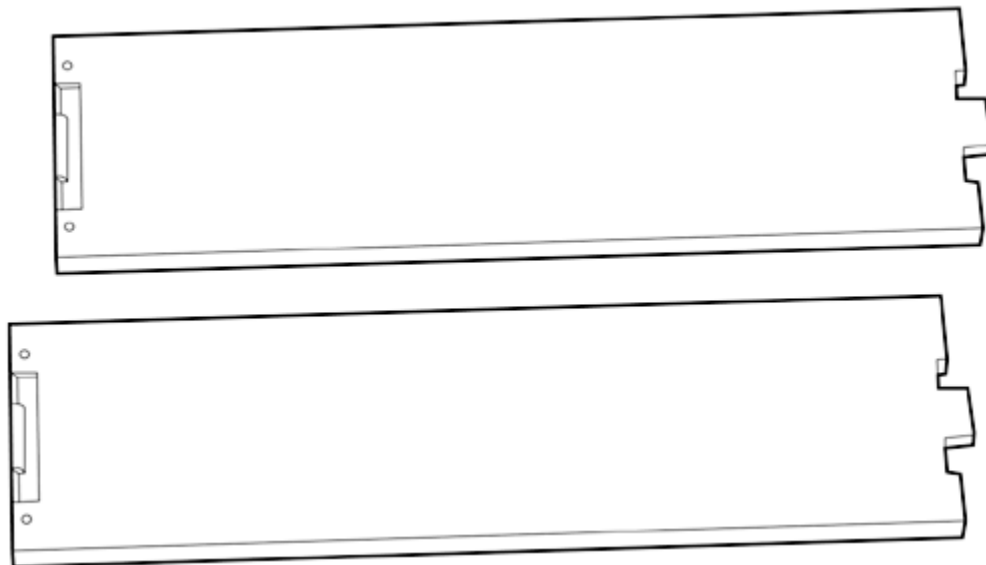
HP (dc5700 SFF, dc5750 SFF) Tower Stand	436533-001
HP USDT Tower Stand	451396-001
HP 2007 SFF Tower Stand	451150-001
HP 2009 (Black) SFF Tower Stand	587451-001
HP DM Chassis Tower Stand	768430-001

### Dimensions

HP DM Chassis Tower Stand (L x W)	160 x 117 mm (6.29 x 4.6 in)
-----------------------------------	------------------------------

### HP (50-Pk) 5.25 in Blank Bezel Kit

Don't want to see gaps left by the removal of optical drives from your HP Business Desktop? You can now give the appearance of a flush finish by inserting HP 5.25" Blank Bezels into the slots.



**HP 5.25in Blank Bezel Kit**

### Model

HP (50-Pk) 5.25 in Blank Bezel Kit	DC177B
HP 5.25 in (Black) Blank Bezel 50 Bulk Pack	VK889AA

### Key Benefits

- Fills the gaps left by the removal of optical drives
- Kit contains 50 Blank Bezels.

### *Overview*

#### **Compatibility**

HP (50-Pk) 5.25 in Blank Bezel Kit is compatible with all HP Compaq Business desktops with the exception of the Ultra-Slim Desktops (USDT) and all AIO Desktops. It includes all HP Compaq Business Small Form Factors (SFF), Micro Tower, and Convertible Mini Tower (CMT) platforms.

---

#### **Service and Support**

Your Option Limited Warranty is a one (1) year (HP Option Limited Warranty Period) parts replacement warranty on any HP-branded or Compaq-branded options (HP Options). If your HP Option is installed in an HP Hardware Product, HP may provide warranty service either for the HP Option Limited Warranty Period or the remaining Limited Warranty Period of the HP Hardware Product in which the HP Option is being installed, whichever period is the longer but not to exceed three (3) years from the date you purchased the HP Option.



### Overview

#### **HP (10 Sets) 600/705 G2 MicroTower Bezel Support Kit**

Help secure the fit of your after-market drive into your desktop chassis with the HP Bezel Support Kit.

##### **Model**

HP (10 Sets) 600/705 G2 MicroTower Bezel Support Kit

N1M44AA

##### **Key Benefits**

- The bezels are specifically designed to fit your form factor, seal the installation, and maintain the aesthetic lines of your PC.
- The 10-pack of bezels simplifies easy mass deployments of drives into your PCs.
- Each support kit contains 40 screws (4 for each drive) for 2.5" drives.

##### **Compatibility**

HP (10 Sets) 600/705 G2 MicroTower Bezel Support Kit is compatible with the HP EliteDesk 705 G2 MT

##### **Service and Support**

Your Option Limited Warranty is a one (1) year (HP Option Limited Warranty Period) parts replacement warranty on any HP-branded or Compaq-branded options (HP Options). If your HP Option is installed in an HP Hardware Product, HP may provide warranty service either for the HP Option Limited Warranty Period or the remaining Limited Warranty Period of the HP Hardware Product in which the HP Option is being installed, whichever period is the longer but not to exceed three (3) years from the date you purchased the HP Option.

#### **HP (10 Sets) 600/705/800 G2 SFF Bezel Support Kit**

Help secure the fit of your after-market drive into your desktop chassis with the HP Bezel Support Kit.

##### **Model**

HP (10 Sets) 600/705/800 G2 SFF Bezel Support Kit

N7H10AA

##### **Key Benefits**

- The bezels are specifically designed to fit your form factor, seal the installation, and maintain the aesthetic lines of your PC.
- The 10-pack of bezels simplifies easy mass deployments of drives into your PCs

##### **Compatibility**

H HP (10 Sets) 600/705/800 G2 SFF Bezel Support Kit is compatible with the HP EliteDesk 705 G2 SFF

##### **Service and Support**

Your Option Limited Warranty is a one (1) year (HP Option Limited Warranty Period) parts replacement warranty on any HP-branded or Compaq-branded options (HP Options). If your HP Option is installed in an HP Hardware Product, HP may provide warranty service either for the HP Option Limited Warranty Period or the remaining Limited Warranty Period of the HP Hardware Product in which the HP Option is being installed, whichever period is the longer but not to exceed three (3) years from the date you purchased the HP Option.

### Overview

#### **HP (10 Sets) EliteDesk 800 G2 Tower Bezel Support Kit**

Help secure the fit of your after-market drive into your desktop chassis with the HP Bezel Support Kit.

---

##### **Model**

HP (10 Sets) EliteDesk 800 G2 Tower Bezel Support Kit

P1N74AA

---

##### **Key Benefits**

- The bezels are specifically designed to fit your form factor, seal the installation, and maintain the aesthetic lines of your PC.
- The 10-pack of bezels simplifies easy mass deployments of drives into your PCs
- Each support kit contains 40 screws (4 for each drive) for 2.5" drives.

---

##### **Compatibility**

HP (10 Sets) EliteDesk 800 G2 Tower Bezel Support Kit is compatible with the HP EliteDesk 800 G2 TWR

---

##### **Service and Support**

Your Option Limited Warranty is a one (1) year (HP Option Limited Warranty Period) parts replacement warranty on any HP-branded or Compaq-branded options (HP Options). If your HP Option is installed in an HP Hardware Product, HP may provide warranty service either for the HP Option Limited Warranty Period or the remaining Limited Warranty Period of the HP Hardware Product in which the HP Option is being installed, whichever period is the longer but not to exceed three (3) years from the date you purchased the HP Option.

#### **HP (10 Set) 600/800 G3 Tower Bezel Support Kit**

Help secure the fit of your after-market drive into your desktop chassis with the HP Bezel Support Kit.

---

##### **Model**

HP (10 Set) 600/800 G3 Tower Bezel Support Kit

Z9H63A6

---

##### **Key Benefits**

- Use this kit to help secure the fit of your after-market drive into your desktop chassis.
- The bezels are specifically designed to fit your form factor, seal the installation, and maintain the aesthetic lines of your PC.

---

##### **Compatibility**

HP (10 Set) 600/800 G3 Tower Bezel Support Kit is compatible with the HP EliteDesk 800 G3 Tower and HP ProDesk 600 G3 MT.

---

##### **Service and Support**

Your Option Limited Warranty is a one (1) year (HP Option Limited Warranty Period) parts replacement warranty on any HP-branded or Compaq-branded options (HP Options). If your HP Option is installed in an HP Hardware Product, HP may provide warranty service either for the HP Option Limited Warranty Period or the remaining Limited Warranty Period of the HP Hardware Product in which the HP Option is being installed, whichever period is the longer but not to exceed three (3) years from the date you purchased the HP Option.

### Overview

## HP (10) 400 G4 600/800 G3 SFF G4 MT Bezel Support Kit

Help secure the fit of your after-market drive into your desktop chassis with the HP Bezel Support Kit.

---

<b>Model</b>	
HP (10) 400 G4 600/800 G3 SFF G4 MT Bezel Support Kit	Z9H64A6

---

### Key Benefits

- Use this kit to help secure the fit of your after-market drive into your desktop chassis.
- The bezels are specifically designed to fit your form factor, seal the installation, and maintain the aesthetic lines of your PC.

### Compatibility

HP (10) 400 G4 600/800 G3 SFF G4 MT Bezel Support Kit is compatible with the HP ProDesk 400 G4 SFF, HP ProDesk 400 G4 MT, HP EliteDesk 800 G3 SFF and HP ProDesk 600 G3 SFF.

### Service and Support

Your Option Limited Warranty is a one (1) year (HP Option Limited Warranty Period) parts replacement warranty on any HP-branded or Compaq-branded options (HP Options). If your HP Option is installed in an HP Hardware Product, HP may provide warranty service either for the HP Option Limited Warranty Period or the remaining Limited Warranty Period of the HP Hardware Product in which the HP Option is being installed, whichever period is the longer but not to exceed three (3) years from the date you purchased the HP Option.

## HP (Bulk 48) G3/4 2.5 HD/SSD M3 Grommet Screw Kit

Keep extra M3 screws handy for your drive installations with this bulk pack of 48 screws.

---

<b>Model</b>	
HP (Bulk 48) G3/4 2.5 HD/SSD M3 Grommet Screw Kit	Z9H61A6

---

### Compatibility

HP (Bulk 48) G3/4 2.5 HD/SSD M3 Grommet Screw Kit is compatible with the HP ProDesk 400 G4 SFF, HP ProDesk 400 G4 MT, HP ProDesk 400 G3 DM (Mini), HP ProDesk 600 G3 MT, HP ProDesk 600 G3 SFF, HP ProDesk 600 G3 Desktop Mini, HP EliteDesk 800 G3 TWR, HP EliteDesk 800 G3 SFF, HP EliteDesk 800 G3 35W Desktop Mini, HP EliteDesk 800 G3 65W Desktop Mini, .

### Service and Support

Your Option Limited Warranty is a one (1) year (HP Option Limited Warranty Period) parts replacement warranty on any HP-branded or Compaq-branded options (HP Options). If your HP Option is installed in an HP Hardware Product, HP may provide warranty service either for the HP Option Limited Warranty Period or the remaining Limited Warranty Period of the HP Hardware Product in which the HP Option is being installed, whichever period is the longer but not to exceed three (3) years from the date you purchased the HP Option.

### Overview

#### **HP EliteDesk 800 G2 SFF Bezel/Dust Filter** **HP EliteDesk 800 G2 Tower Bezel/Dust Filter**

Maintain optimal PC performance and reduce the risk of overheating with the HP EliteDesk 800 G2 SFF Bezel/Dust Filter or the HP EliteDesk 800 G2 Tower Bezel/Dust Filter, which are designed to help prevent dust and particles from entering the system

---

<b>Model</b>	
HP EliteDesk 800 G2 SFF Bezel/Dust Filter	P1N69AA
HP EliteDesk 800 G2 Tower Bezel/Dust Filter	P1N71AA

---

#### **Key Benefits**

- Keep your PC's components clean and running smoothly in industrial environment, factories, retail settings, public spaces, and more with a filter that helps dust stay outside of the unit.
  - Simply snap the filter onto your PC's bezel. A handy software prompt reminds you to snap off and clean at an interval you set upon installation.<sup>1</sup>
  - Get a one-year limited warranty.
- 

#### **Compatibility**

HP EliteDesk 800 G2 SFF Bezel/Dust Filter is compatible with the HP EliteDesk 800 G2 SFF and HP EliteDesk 800 G2 TWR

---

#### **Service and Support**

Your Option Limited Warranty is a one (1) year (HP Option Limited Warranty Period) parts replacement warranty on any HP-branded or Compaq-branded options (HP Options). If your HP Option is installed in an HP Hardware Product, HP may provide warranty service either for the HP Option Limited Warranty Period or the remaining Limited Warranty Period of the HP Hardware Product in which the HP Option is being installed, whichever period is the longer but not to exceed three (3) years from the date you purchased the HP Option.

#### **HP EliteDesk 800 G2 SFF Bezel/Dust Filter** **HP EliteDesk 800 G2 Tower Bezel/Dust Filter**

Maintain optimal PC performance and reduce the risk of overheating with the HP EliteDesk 800 G2 SFF Bezel/Dust Filter or the HP EliteDesk 800 G2 Tower Bezel/Dust Filter, which are designed to help prevent dust and particles from entering the system

---

<b>Model</b>	
HP EliteDesk 800 G2 SFF Bezel/Dust Filter	P1N69AA
HP EliteDesk 800 G2 Tower Bezel/Dust Filter	P1N71AA

---

#### **Key Benefits**

- Keep your PC's components clean and running smoothly in industrial environment, factories, retail settings, public spaces, and more with a filter that helps dust stay outside of the unit.
  - Simply snap the filter onto your PC's bezel. A handy software prompt reminds you to snap off and clean at an interval you set upon installation.<sup>1</sup>
  - Get a one-year limited warranty.
- 

#### **Compatibility**

### *Overview*

HP EliteDesk 800 G2 SFF Bezel/Dust Filter is compatible with the HP EliteDesk 800 G2 SFF and HP EliteDesk 800 G2 TWR

---

### **Service and Support**

Your Option Limited Warranty is a one (1) year (HP Option Limited Warranty Period) parts replacement warranty on any HP-branded or Compaq-branded options (HP Options). If your HP Option is installed in an HP Hardware Product, HP may provide warranty service either for the HP Option Limited Warranty Period or the remaining Limited Warranty Period of the HP Hardware Product in which the HP Option is being installed, whichever period is the longer but not to exceed three (3) years from the date you purchased the HP Option.

### Overview

#### **HP EliteDesk 800 G2 SFF 3 Pack Dust Filters** **HP EliteDesk 800 G2 Tower 3 Pack Dust Filters**

Help prevent dust and particles from entering your HP EliteDesk 800 G2 with this handy three-pack of replacement dust filters for your HP EliteDesk 800 G2 Bezel/Dust Filter Kit.

---

#### **Model**

HP EliteDesk 800 G2 SFF 3 Pack Dust Filters	P1N70AA
HP EliteDesk 800 G2 Tower 3 Pack Dust Filters	P1N72AA

---

#### **Compatibility**

HP EliteDesk 800 G2 SFF 3 Pack Dust Filters is compatible with HP EliteDesk 800 G2 SFF and HP EliteDesk 800 G2 TWR

---

#### **Service and Support**

Your Option Limited Warranty is a one (1) year (HP Option Limited Warranty Period) parts replacement warranty on any HP-branded or Compaq-branded options (HP Options). If your HP Option is installed in an HP Hardware Product, HP may provide warranty service either for the HP Option Limited Warranty Period or the remaining Limited Warranty Period of the HP Hardware Product in which the HP Option is being installed, whichever period is the longer but not to exceed three (3) years from the date you purchased the HP Option.

### Technical Specifications

<b>Dimensions</b>	<b>HP (10 Sets) 600/800 TWR Bezel Support Kit</b> (individual bezel dimensions L x H)	6.32 x 2.81 in (16.06 x 7.15 cm)
	<b>HP (10 Sets) 600/800 SFF Bezel Support Kit</b> (individual bezel dimensions L x H)	6.03 x 1.61 in (15.32 x 4.08 cm)
	<b>HP (10 Sets) 800 USDT Bezel Support Kit</b> (individual bezel dimensions L x H)	5.61 x 0.63 in (14.25 x 2.89 cm)
	<b>HP (select SFF/ST chassis) Tower Stand</b>	2.5 x 20.0 x 7.35 in ( 6.35 x 50.8 x 18.7 cm)
	<b>HP USDT Tower Stand</b>	1.4 x 4.8 x 6.7 in (3.56 x 12.2 x 17.0 cm)
	<b>HP 2009 (Black) USDT Tower Stand</b>	1.4 x 4.8 x 6.7 in (3.56 x 12.2 x 17.0 cm)
	<b>HP 2007 SFF Tower Stand</b>	1.06 (H) x 6.96 (W) x 7.85 (D) (2.7 x 17.7 x 19.9 cm)
	<b>HP 2009 (Black) SFF Tower Stand</b>	1.06 (H) x 6.96 (W) x 7.85 (D) (2.7 x 17.7 x 19.9 cm)
	<b>HP (50-Pk) 5.25in Blank Bezel Kit and HP 5.25in (Black) Blank Bezel 50 Bulk Pack</b>	5.25 in (13.35 cm)
	<b>HP 2x2 SFF Stand</b>	7.868 in (W) X 7.026 in (D) X 1.083 in (H)
	<b>HP (10 Sets) 600/705/800 G2 SFF Bezel Support Kit</b> (individual bezel dimensions L x H)	338*100*39mm
	<b>HP (10 Sets) 600/705 G2 MicroTower Bezel Support Kit</b> (individual bezel dimensions L x H)	355*170*40mm
	<b>HP (10 Sets) EliteDesk 800 G2 Tower Bezel Support Kit</b> (individual bezel dimensions L x H)	Slim ODD Dimension: 134.60(mm)x23.92(mm)x14.10 (mm) Grommet screw : M3
	<b>HP (10 Set) 600/800 G3 Tower Bezel Support Kit</b>	<b>9.5 Slim optical bezel blank, TWR (LxWxH)</b> 6.236 x 0.63 x 0.67 in (158.4 x 16 x 17 mm) <b>5.25 optical bezel blank module , TWR/D6 MT (LxWxH)</b> 5.98 x 1.84 x 0.56 in (151.92 x 46.72 x 14.3 mm) <b>STAND OFF, FOR M.2 CARD SUPPORT, 8mm HEIGHT (LxWxH)</b> 0.437 x 0.177 x 0.177 in (11.1 x 4.5 x 4.5 mm) <b>SCREW, M2x3L</b> 0.157 x 0.15 in (4 x3.8 mm)
	<b>HP (10) 400 G4 600/800 G3 SFF G4 MT Bezel Support Kit</b>	<b>9.5 Slim optical bezel blank, TWR (LxWxH)</b> 6.236 x 0.63 x 0.67 in (158.4 x 16 x 17 mm)
	<b>HP (Bulk 48) G3/4 2.5 HD/SSD M3 Grommet Screw Kit</b> (individual screw dimensions L x H)	<b>M3 thread</b> 0.3 x 0.4 in (7.5 mm dia x 9 mm)
	<b>HP EliteDesk 800 G2 SFF Bezel/Dust Filter</b> (individual bezel dimensions L x H)	338*100*39mm
	<b>HP EliteDesk 800 G2 SFF 3 Pack Dust Filters</b> (individual bezel dimensions L x H)	311.22*80.57*3mm

### Technical Specifications

<b>HP EliteDesk 800 G2 Tower Bezel/Dust Filter</b> (individual bezel dimensions L x H)	389.0*170.0*44.45mm
<b>HP EliteDesk 800 G2 Tower 3 Pack Dust Filters</b> (individual bezel dimensions L x H)	142.4*183.75*2.7mm

<b>Weight</b>	<b>HP (10 Sets) 600/800 TWR Bezel Support Kit</b>	Unpackaged: Approx. 2.15 lb	
	<b>HP (10 Sets) 600/800 SFF Bezel Support Kit</b>	Unpackaged: Approx. 0.65 lb	
	<b>HP (10 Sets) 800 USDT Bezel Support Kit</b>	Unpackaged: Approx. 0.5 lb	
	<b>HP (dx5150 SFF, rp5000 SFF) Tower Stand</b>	0.65 lbs (295 g)	
	<b>HP (select SFF/ST chassis) Tower Stand</b>	1.395 lbs (632 g)	
	<b>HP USDT Tower Stand</b>	0.15 lbs (68 g)	
	<b>HP 2009 (Black) USDT Tower Stand</b>	0.15 lbs (68 g)	
	<b>HP 2007 SFF Tower Stand</b>	0.27 lbs (122 g)	
	<b>HP 2009 (Black) SFF Tower Stand</b>	0.27 lbs (122 g)	
	<b>HP 2x2 SFF Stand</b>	0.185 lbs (84.19 g)	
	<b>HP (10 Sets) 600/705/800 G2 SFF Bezel Support Kit</b>	151g	
	<b>HP (10 Sets) 600/705 G2 MicroTower Bezel Support Kit</b>	245.5g	
	<b>HP (10 Sets) EliteDesk 800 G2 Tower Bezel Support Kit</b>	Slim ODD Blank Bezel:10.09g/pc X 10 HDD ISO GROMMET:1.53g/pc X 40	
	<b>HP (10 Set) 600/800 G3 Tower Bezel Support Kit</b>	Unpackaged: Approx. 0.93 lb	
	<b>HP (10) 400 G4 600/800 G3 SFF G4 MT Bezel Support Kit</b>	Sample content: Unpackaged: Approx. 0.165 lb	
	<b>HP (Bulk 48) G3/4 2.5 HD/SSD M3 Grommet Screw Kit</b>	Unpackaged: Approx. 0.16 lb, 72 grams	
	<b>HP EliteDesk 800 G2 SFF Bezel/Dust Filter</b>	179.4g	
	<b>HP EliteDesk 800 G2 SFF 3 Pack Dust Filters</b>	8.4g/pc	
	<b>HP EliteDesk 800 G2 Tower Bezel/Dust Filter</b>	332.72g	
	<b>HP EliteDesk 800 G2 Tower 3 Pack Dust Filters</b>	22.1g/pc	
	<b>Option kit contents</b>	<b>HP (10 Sets) 600/800 TWR Bezel Support Kit</b>	Optical drive bezel blank module, optical drive bezel trim module, slim optical drive bezel blank module, slim optical drive bezel trim module, drive mount grommets, documentation



### Technical Specifications

<b>HP (10 Sets) 600/800 SFF Bezel Support Kit</b>	Slim optical bezel blank module, slim optical bezel trim module, drive mount grommets, documentation
<b>HP (10 Sets) 800 USDT Bezel Support Kit</b>	Slim optical bezel blank module, slim optical bezel trim module, drive mount grommets, documentation
<b>HP (dx5150 SFF, rp5000 SFF) Tower Stand</b>	HP Tower Stand, documentation
<b>HP (select SFF/ST chassis) Tower Stand</b>	HP Tower Stand, documentation
<b>HP USDT Tower Stand</b>	HP Tower Stand, documentation
<b>HP 2009 (Black) USDT Tower Stand</b>	HP Tower Stand, documentation
<b>HP 2007 SFF Tower Stand</b>	HP Tower Stand, documentation
<b>HP 2009 (Black) SFF Tower Stand</b>	HP 2009 (Black) SFF Tower Stand, documentation
<b>HP (50-Pk) 5.25 in Blank Bezel Kit</b>	HP (50-pk) 5.25in Blank Bezel Kit, documentation
<b>HP 5.25 in (Black) Blank Bezel 50 Bulk Pack</b>	HP 5.25 in (Black) Blank Bezel 50 Bulk Pack, documentation
<b>HP (10 Sets) EliteDesk 800 G2 Tower Bezel Support Kit :</b>	10xTWR slim ODD blank(P/N: 803290-001) and 40xM3 grommet screw (P/N: 511945-003)
<b>HP (10 Set) 600/800 G3 Tower Bezel Support Kit</b>	9.5 Slim optical bezel blank module, 5.25 optical bezel blank module, M.2 Standoff, M2x3 screw for Standoff, documentation
<b>HP (10) 400 G4 600/800 G3 SFF G4 MT Bezel Support Kit</b>	9.5 Slim optical bezel blank module, documentation
<b>HP (Bulk 48) G3/4 2.5 HD/SSD M3 Grommet Screw Kit</b>	Drive mount grommet screws M3, documentation
<b>HP EliteDesk 800 G2 SFF Bezel/Dust Filter</b>	1 set x SFF AMO bezel with Dust filter (P/N: 824137-001)
<b>HP EliteDesk 800 G2 SFF 3 Pack Dust Filters</b>	1 pc x SFF dust filter(P/N: 836238-001)
<b>HP EliteDesk 800 G2 Tower Bezel/Dust Filter</b>	1 set x TWR AMO bezel with Dust filter (P/N: 824125-001)
<b>HP EliteDesk 800 G2 Tower 3 Pack Dust Filters</b>	1 pc x TWR dust filter(P/N: 824131-001)

### *Technical Specifications*

© Copyright 2017 HP Development Company, L.P. All rights reserved.

The information contained herein is subject to change without notice. The only warranties for HP products are set forth in the express limited warranty statements accompanying such products. Nothing herein should be construed as constituting an additional warranty. HP shall not be liable for technical or editorial errors or omissions contained herein.

Microsoft and Windows are US registered trademarks of Microsoft Corporation.

1. See User Guide for cleaning instructions

### Summary of changes

August 4, 2014	From v20 to v21	Upgrade	Change the name and the version for uploading
		Added	Added the change log
September 30, 2014	From v21 to v22	Change	Change the information on the compatibility section on the overview page
June 16, 2015	From v22 to v23	Added	Added the specs "HP 2x2 SFF Stand"
August 11, 2015	From v23 to v24	Added	Added specs and dimensions and weight " <b>HP (10 Sets) 600/705/800 G2 SFF Bezel Support Kit</b> " and " <b>HP (10 Sets) 600/705 G2 MicroTower Bezel Support Kit</b> "
August 31, 2015	From v24 to v25	Added	Added the following charts: HP EliteDesk 800 G2 SFF 3 Pack Dust Filters HP EliteDesk 800 G2 Tower 3 Pack Dust Filters HP EliteDesk 800 G2 SFF Bezel/Dust Filter HP EliteDesk 800 G2 Tower Bezel/Dust Filter HP (10 Sets) EliteDesk 800 G2 Tower Bezel Support Kit
April 1, 2016	From v25 to v26	Change	Correcting model numbers for certain bezel kits
February 9, 2017	From v26 to v27	Added	Added the following: HP (10 Set) 600/800 G3 Tower Bezel Support Kit HP (10) 400 G4 600/800 G3 SFF G4 MT Bezel Support Kit HP (Bulk 48) G3/4 2.5 HD/SSD M3 Grommet Screw Kit
May 16, 2017	From v27 to v28	Deleted	Model HP (10 Sets) 600/705/800 G2 SFF Bezel Support Kit N7H10AA, Key Benefits Section: - Deleted: Each support kit contains 40 screws (4 for each drive) for 2.5" drives.