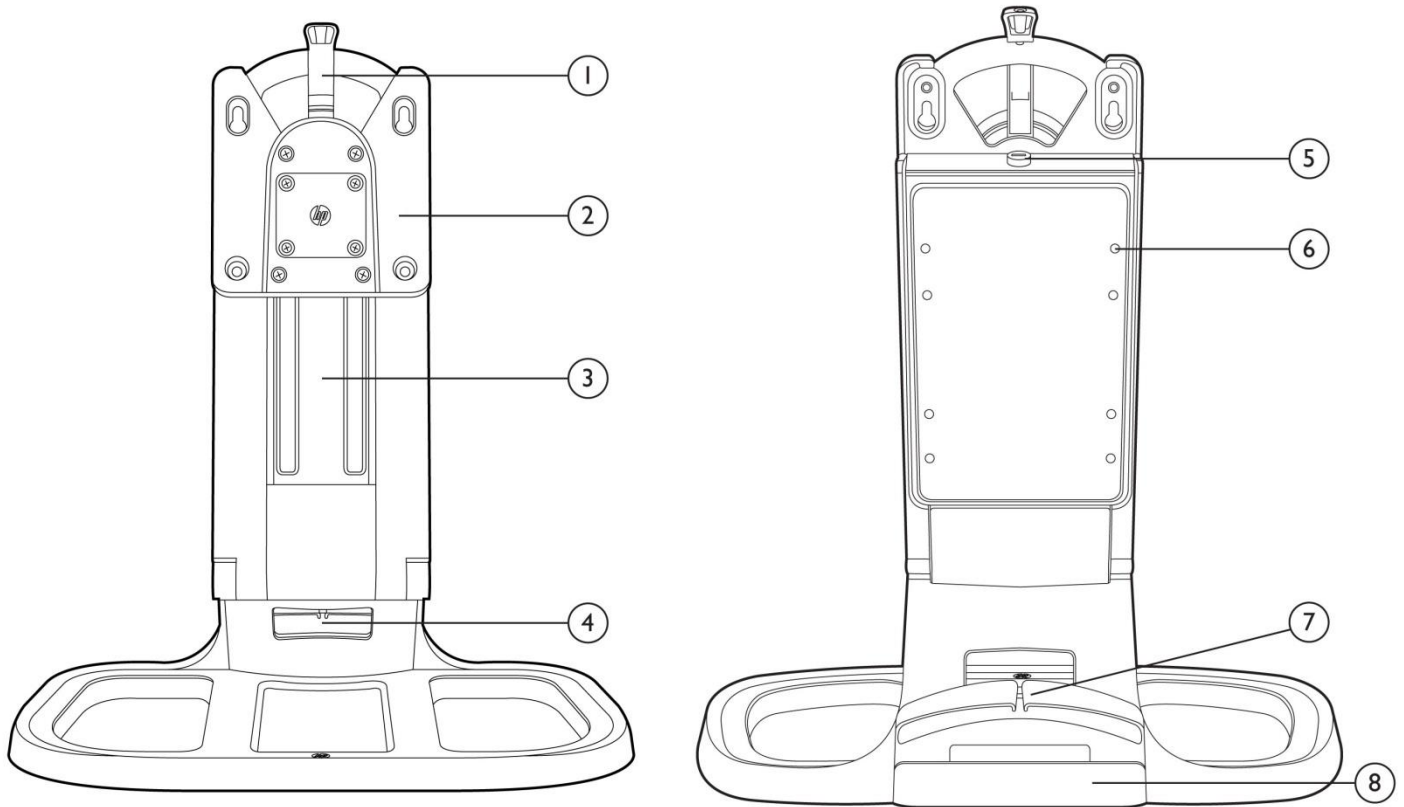


Overview

HP Integrated Work Center Stand - USDT / Thin Clients



1. HP Quick Release mounting latch
2. Integrated HP Quick Release
3. Height-adjustable monitor mount
4. Integrated cable management slot

5. Mounting bracket security thumb-screw
6. USDT PC and Thin Client mounting bracket
7. Rear cable management clips
8. Spring-loaded power supply tray

Models

Part Number: E8H16AA/AT (black and meteorite), LH526AA/AT (black and silver)

Introduction

The HP Integrated Work Center Stand is designed to help maximize the use of limited desk space without compromising performance or productivity by accommodating an HP Ultra-slim Desktop PC, HP Thin Client, Desktop Mini or HP Chromebox and most HP 17 to 24-inch¹ diagonal LCD monitors (please refer to compatibility list below), with VESA standard mounting brackets.

Simply mount the compatible thin client or desktop on to the back plate with four simple screws, and then attach the monitor to the front of the stand with the included HP Quick Release. Next, neatly route the cords into the cable management clip and insert the power supply into the secure spring-loaded drawer to enable the monitor and PC to be combined into a complete system, creating a convenient "All-in-Two" form factor.

Key features and benefits

Overview

- Integrates your HP Ultra-slim Desktop PC, Thin Client, Desktop Mini or HP Chromebox to most HP 17 to 24-inch¹ diagonal LCD monitors, allowing you to conveniently put the entire compact system configuration at your fingertips, saving valuable desktop space and making the most efficient use of space-constrained office environments
- Cable management clips help keep cables neatly dressed and concealed behind the stand
- Industry-standard VESA mounting holes enable high or low positioning of the USDT or Thin Client
- An adjustable stand with tilt, height and swivel lets you change positions throughout the day, helping you stay comfortable and productive
- Built-in HP Quick Release enables easy installation and removal of monitor
- Spring loaded retention drawer securely holds power supplies of many sizes
- Cable pass-through design simplifies cable routing and enables a clutter free workspace

Compatibility

The Integrated Work Center Stand is designed to exclusively accommodate HP Ultra-slim Desktop PC models, Thin Clients Desktop Mini or HP Chromebox and the HP LCD monitors shown below (each sold separately).

Note:

A 2 mm spacer (included) is needed to accommodate:

- Advantage: LA2006x, LA2206x, LA2206xc, LA2306x
- Specialty: L2311c

A 7 mm spacer (included) is needed to accommodate the ZR2240w, ZR2440w, Z24i

ProDisplay

LE1711
LE1911
P17A
P19A
P191
P201
P221
P231

EliteDisplay

LA1956x
E190i
E201
E221
E231
E241i
LA2405x²

Performance

ZR2040w
ZR2240w
ZR2330w²
ZR2440w²
Z22i
Z23i²
Z24i²

Value

V201, V201a
V206hz
V241

Overview

V241a

Specialty

E221c

L2401x²

L2311c²

Touch

L2206tm

Compatible Thin Clients

t310 (requires VESA mount), t410, t510, t5335z, t5550, t5565, t5565z, t5570, t5570e, t5400, T5740, t5740e, t5745, t610, t610PLUS.

Compatible Desktops

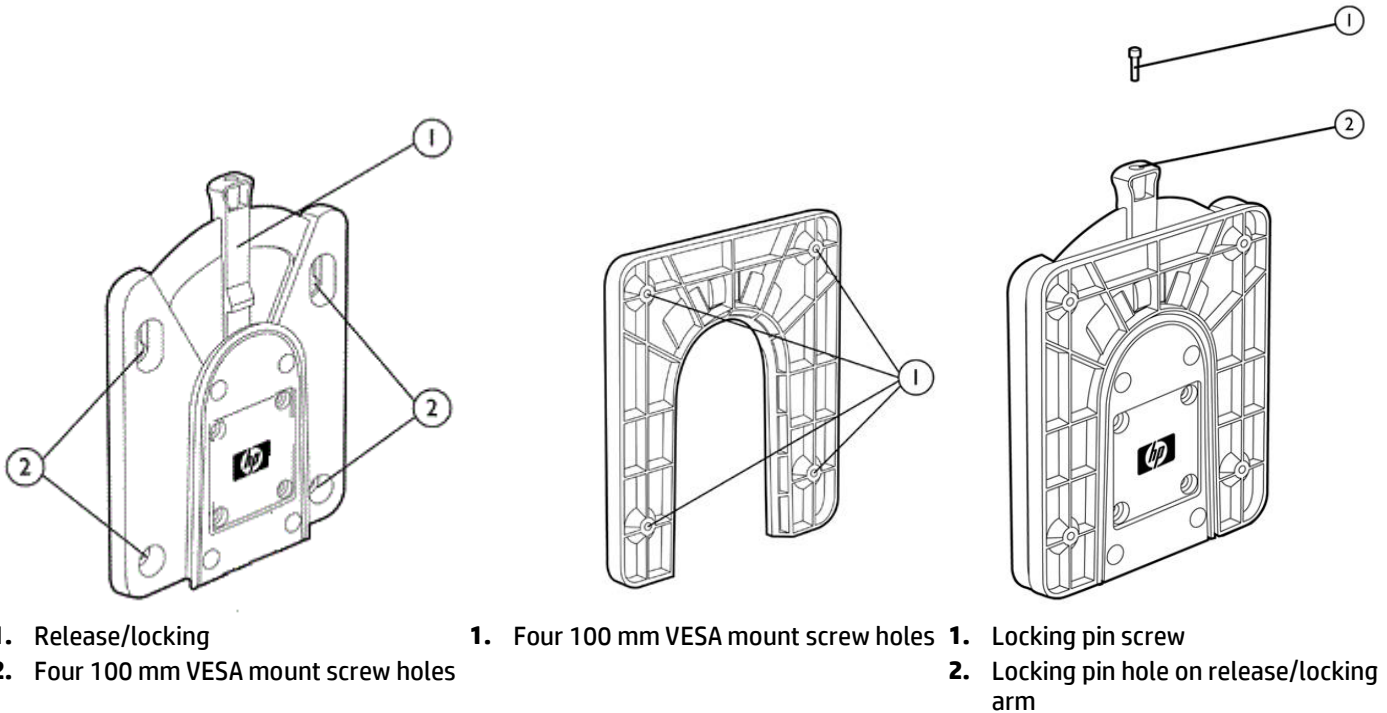
HP Ultra-Slim Desktop PC, HP EliteDesk 800 G1 Desktop Mini Business PC, HP ProDesk 600 G1 Desktop Mini Business PC, HP Chromebox

Technical Specifications

Mechanical	Tilt range	-3 to +20 degrees vertical tilt	
	Swivel range	-180° to + 180°	
	Height adjustable	Yes, range: 13.0 cm	
	Pivot rotation	No	
	Dimensions (H x W x D)	Unpackaged	36,19 x 37,35 x 25,05 cm (14.25 x 14.7 x 9.93 in)
		Packaged	32,0 x 49,0 x 43,8 cm (12.6 x 19.3 x 17.2 in)
Weight	Unpackaged	3,1 kg (6.8 lbs)	
	Packaged	4,9 kg (10.8 lbs)	
Supported weight capacity²	The Integrated Work Center Stand has been designed to support 17 to 24-inch diagonal HP LCD monitors from 2.3 kg to 5.2 kg (5.07 lbs to 11.24 lbs).		
Other	Included Accessories	Exclusive Integrated Work Center VGA video cable, HP Ultra-slim Desktop cable cover (rear port cover), PC mounting bracket, HP Quick Release, 2mm and 7mm spacers, documentation kit.	
	Quick Start Guide languages	English, Spanish, Dutch, French, German, Italian, S. Chinese and Japanese	
	Warranty languages	English, French, German, Italian, Spanish, Japanese, T. Chinese, S. Chinese, Korean, Indonesian, Brazilian Portuguese and LA Spanish	
	VESA external mounting	Yes (Standard 4 hole pattern, two separate 100 mm patterns on the mounting bracket)	
	Option kit contents	Integrated Work Center Stand and PC mounting bracket, Integrated Work Center VGA video cable, HP Ultra-slim Desktop cable cover (rear port cover), Quick Release bracket (to attach to back of monitor), " 2mm and 7mm spacers	
	Compliance	RoHS compliant	
Limited Warranty	The Integrated Work Center Stand carries a one-year limited warranty. Technical support is available seven days a week, 24 hours a day, by phone, as well as online support forums. Certain restrictions and exclusions apply.		

Overview - HP LCD Monitor Quick Release

HP LCD Monitor Quick Release (included)



Introduction

HP offers a variety of optional products (each sold separately) designed to complement our monitors and enhance the overall computing experience. The HP Monitor Quick Release is designed for use with 100 mm VESA-compatible flat panel monitors.

HP Quick Release is an easy to use, 100 mm VESA-compliant, LCD monitor mounting solution that allows you to quickly and securely attach a flat panel monitor to a variety of stands, brackets, arms or wall mounts. HP Quick Release can also be used for mounting any combination of devices that are compatible with the 100 mm VESA Flat Display Mounting Interface Standard. The failsafe "Sure-Lock" mechanism snaps the monitor (or mounted device) securely in place, and can be further secured with a theft-deterrent security screw.

Technical Specifications – HP LCD Monitor Quick Release

Mechanical	Dimensions (H x W x D)	Packaged:	7.8 x 6.25 x 1.5 in (19.8 x 15.9 x 3.8 cm)
		Unpackaged:	6.3 x 5.2 x 0.65 in (16 x 13.2 x 1.65 cm)
	Weight	Packaged:	1.1 lb (0.49 kg)
		Unpackaged:	0.82 lb (0.37 kg)
Additional components	<ul style="list-style-type: none">• Eight 10 mm mounting screws (for attachment to VESA compliant monitor mounts)• Eight 15.5 mm mounting screws (for attachment to HP Compaq t5000 Thin Client products)• Four 20 mm mounting screws (for attachment to back of select HP LCD monitor stands)• One Quick Release "locking" screw• 2mm and 7mm spacers<ul style="list-style-type: none">○ 2 mm spacer accommodates:<ul style="list-style-type: none">▪ Advantage: LA2006x, LA2206x, LA2206xc, LA2306x.▪ Specialty: L2311c.○ 7 mm spacer accommodates:<ul style="list-style-type: none">▪ ZR2240w, ZR2440w, Z24i		
Color	Black		
Notes	<ol style="list-style-type: none">1. No HP monitors allow positioning of a thin client product between a monitor screen and its stand.2. The Quick Release device is not to be used between a monitor screen and its stand unless provided that way from the factory.3. Under no circumstances is the Quick Release device intended to be used in an orientation where the Release/Lock lever is oriented downward.		
Supported weight capacity	<p>The HP Quick Release has been designed to support a maximum of up to 24 lbs (10.9 kg) depending upon the mounting configuration used. Please note this is a total weight limit for all devices mounted, i.e. the combined weight of the monitor and a second device such as an HP Thin Client cannot exceed 24 pounds. Because mounting surfaces vary widely and the final mounting method and configuration may vary, mounting fasteners are not supplied (other than the VESA-compliant screws). HP recommends that you consult with a qualified engineering, architectural or construction professional to determine the appropriate type and quantity of mounting fasteners required for your application and to ensure that your mounting solution is properly installed to support applied loads.</p>		

©2014 Hewlett-Packard Development Company, L.P.

The information contained herein is subject to change without notice. The only warranties for HP products and services are set forth in the express warranty statements accompanying such products and services. Nothing herein should be construed as constituting an additional warranty. HP shall not be liable for technical or editorial errors or omissions contained herein.

1 Not all 24-inch monitors supported, please refer list of compatible monitors.

2 Must be used in conjunction with a USDT or Thin Client

Technical Specifications – HP LCD Monitor Quick Release

Summary of Changes

Date of change:	Version History:		Description of change:
June 11, 2014	From v22 to v23	Changed	cNumber, Change log