

Overview

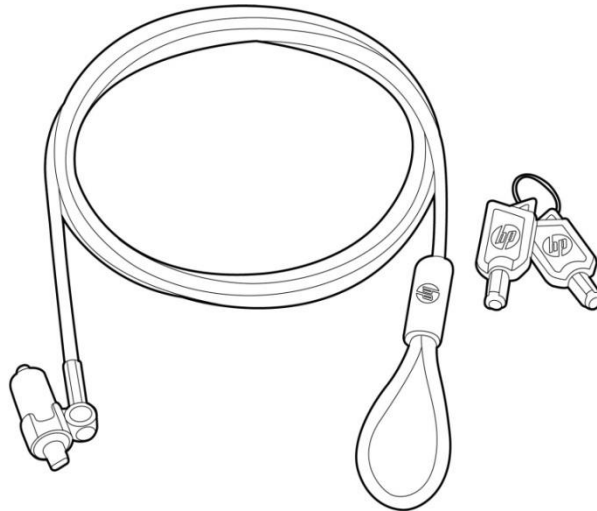
HP Security Accessories

HP Ultralim Cable Lock Kit

Model

HP Ultralim Cable Lock Kit

H4D73AA



HP Ultralim Cable Lock Kit

Secure your HP Business Desktop PC quickly and easily with the HP Ultralim Cable Lock Kit.

Key Benefits

- The slimmest lock available from HP, the HP Ultralim Cable Lock keeps a low profile and is compatible with any HP PC with a standard security lock slot.
- A 5.9 ft (1.80 m) vinyl-coated, galvanized aircraft-grade steel cable loops around any secure object and then attaches to the desktop with a push-button locking mechanism and a unique key (including a spare key).
- Swivel and adjust the cable 360 degrees to wherever you need to tether your PC to a table, desk, or other device.

NOTE: HP Security Cable locks are designed, tested, and proven to be an economical and effective deterrent to help prevent opportunistic theft. While HP Security Cable locks help protect supported computer equipment from theft, they are not designed to provide impervious protection and should not be relied on as the sole security solution for your equipment. HP Security Cable locks are only one of several methods that should be employed as part of a complete security solution to help maximize theft protection.

Compatibility

The HP Ultralim Cable Lock Kit is compatible with all computer equipment with an industry standard lock slot..

Spares Information

HP Ultralim Keyed Cable Lock (H4D73AA)

703372-001

Overview

HP 2014 Solenoid Lock & Hood Sensors

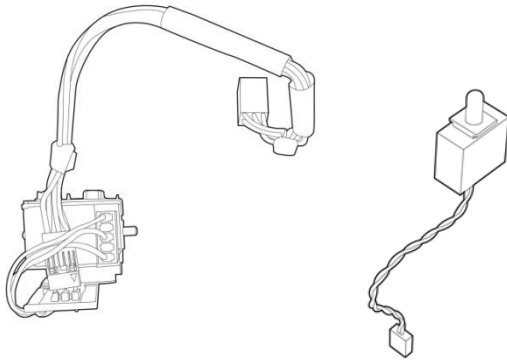
Models

HP 2014 Solenoid Lock & Hood Sensor (MT)

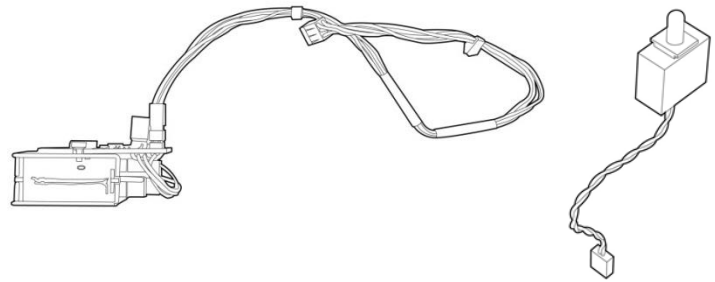
J6L42AA

HP 2014 Solenoid Lock & Hood Sensor (SFF)

J6L43AA



HP Solenoid Lock and Hood (SFF) Sensor*



HP Solenoid Lock and Hood (MT) Sensor*

*Note: Cables shown above appear longer than those used in actual product.

Help protect your HP Business Desktop small form factor or minitower from unauthorized tampering or theft with the HP 2014 Solenoid Lock and Hood Sensor hardware and software security solution.

Key Benefits

- Dual-function hardware design acts as both a hood sensor and a chassis cover lock.
- Integrated software alerts administrators to attempted tampering or removal, and allows the lock to be activated or deactivated from a central or remote location.¹

¹ Internet access required and not included.

Model

HP 2014 Solenoid Lock & Hood Sensor (MT)

J6L42AA

Compatibility

HP 2014 Solenoid Lock & Hood Sensor (MT) (J6L42AA) is compatible with the HP EliteDesk 700 G1 MT; HP EliteDesk 705 G1 MT

NOTE: Please check this product's web page on HP.com for current compatibility information.

NOTE: Not all products available in all regions.

Spares Information

Solenoid Lock assembly SFF (J6L42AA)

784777-001

Hood sensor module (J6L42AA)

638816-001

Model

HP 2014 Solenoid Lock & Hood Sensor (SFF)

J6L43AA

Overview

Compatibility

HP 2014 Solenoid Lock & Hood Sensor (SFF) (J6L43AA) is compatible with the HP EliteDesk 700 G1 SFF; HP EliteDesk 705 G1 SFF

NOTE: Please check this product's web page on HP.com for current compatibility information.

NOTE: Not all products available in all regions.

Spares information

Solenoid Lock Assembly (J6L43AA)

732772-001

Hood sensor module (J6L43AA)

638816-001

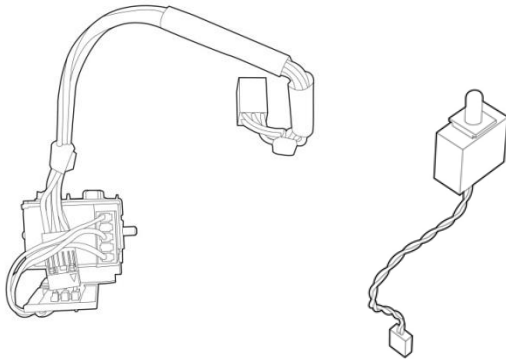
Overview

Solenoid Lock and Hood Sensor (2013)

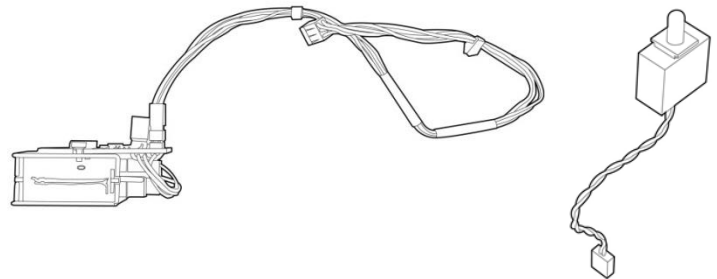
Models

HP Solenoid Lock and Hood (USDT/SFF) Sensor
 HP Solenoid Lock and Hood (TWR) Sensor

E0X97AA
 E0X96AA



HP Solenoid Lock and Hood (USDT/SFF) Sensor



HP Solenoid Lock and Hood (TWR) Sensor

Help protect your PC from unauthorized tampering or theft with a hood sensor and chassis cover lock. Integrated software alerts admins to tampering or removal, and allows you to activate and deactivate the lock from a central or remote location.¹

Key Benefits

- Help deter theft with a hardware cover lock that prevents access to the interior of the chassis.
- Manage the integrated software from a central or remote location¹, and get alerts to potential tampering of chassis removal.

¹ Network connection required, and sold separately.

Model

HP Solenoid Lock and Hood (USDT/SFF) Sensor

E0X97AA

Compatibility

HP Solenoid Lock and Hood (USDT/SFF) Sensor (E0X97AA) is compatible with the HP ProDesk 600 G1 SFF; HP EliteDesk 800 G1 SFF, USDT.

NOTE: Please check this product's web page on HP.com for current compatibility information.

NOTE: Not all products available in all regions.

Spares Information

Solenoid Lock assembly SFF (E0X97AA)
 Hood sensor module (E0X97AA)

732772-001
 638816-001

Model

HP Solenoid Lock and Hood (TWR) Sensor

E0X96AA

Compatibility

Overview

HP Solenoid Lock and Hood (TWR) Sensor (E0X96AA) is compatible with the HP ProDesk 600 G1 TWR, HP EliteDesk 800 G1 TWR.

NOTE: Please check this product's web page on HP.com for current compatibility information.

NOTE: Not all products available in all regions.

Spares information

Solenoid Lock Assembly (E0X96AA)	641498-001
Hood sensor module (E0X96AA)	638816-001
Cable clip (E0X96AA)	733686-001

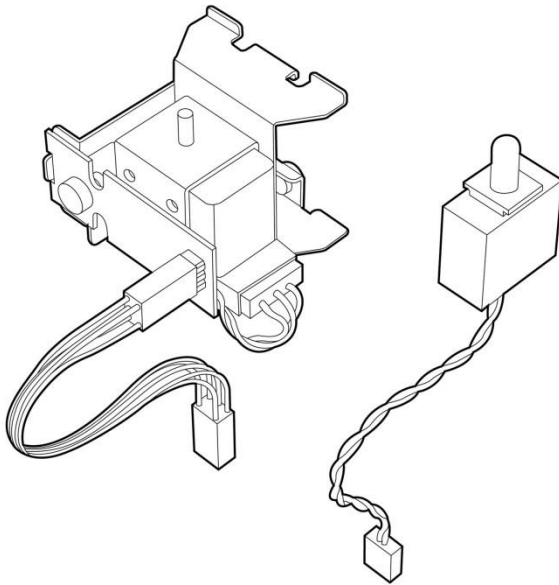
Overview

Solenoid Lock and Hood Sensor (2009)

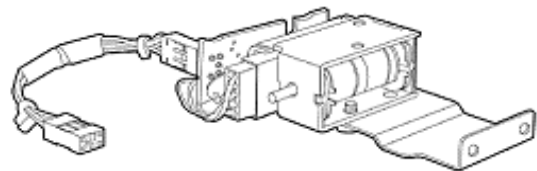
Models

HP (SFF) Solenoid Lock and Hood Sensor
HP (CMT) Solenoid Lock and Hood Sensor

BP428AA
DE618A



HP 2009 (SFF) Solenoid Lock and Hood Sensor



HP (CMT) Solenoid Lock and Hood Sensor

Protect your small form factor or convertible minitower business desktop from unauthorized tampering or theft by combining hardware and software security with the specially designed Smart Cover Lock and Hood Sensor.

The Smart Cover Lock and Hood Sensor combines hardware and software security to help protect your HP Business Desktop from unauthorized tampering or theft. The lock acts as both a hood sensor and a chassis cover lock. The accompanying software alerts administrators to tampering or removal, and allows you to activate and deactivate the lock via software from a central or even remote location.

Key Benefits

- Protect your desktop from unauthorized interference or theft
- Combines hardware and software security for added protection
- Acts as a hood sensor and chassis cover lock
- Software alerts you to tampering or removal of desktop

Model

HP (SFF) Solenoid Lock and Hood Sensor

BP428AA

Compatibility

HP (SFF) Solenoid Lock and Hood Sensor (BP428AA) is compatible with the HP Compaq 6005 Pro SFF, HP Compaq 6200 Pro SFF, HP Compaq 6300 Pro SFF, HP Compaq 8200 Elite SFF, HP Compaq 8300 Elite SFF, HP rp5700 Retail System, and HP Z210 SFF Workstation.

NOTE: Please check [this product's web page on HP.com](#) for current compatibility information.

Overview

NOTE: Not all products available in all regions.

Spares information

HP (SFF) Smart Cover Lock and Hood Sensor (BP428AA)

586752-001

Model

HP (CMT) Solenoid Lock and Hood Sensor

DE618A

Compatibility

The HP (CMT) Solenoid Lock (DE618A) is compatible with the HP Compaq 6005 Pro MT, HP Compaq 6200 Pro MT, HP Compaq 6300 Pro MT, HP Compaq 8200 Elite CMT, HP Compaq 8200 Elite MT, HP Compaq 8300 Elite CMT, HP Compaq 8300 Elite MT, HP Compaq 6305 Pro MT, and the HP Z400 and HP Z210 CMT Workstations.

NOTE: Please check this product's web page on [HP.com](#) for current compatibility information.

NOTE: Not all products available in all regions.

Spares information

HP (CMT) Solenoid Lock and Hood Sensor (DE618A)

336442-001

Overview

HP Business PC Security Lock Kit

Model

HP Business PC Security Lock Kit (with cable)

PV606AA

Introduction

Protect your HP Business PC from tampering or theft in public locations by locking-down peripherals such as mice, keyboards, monitors or USB security devices and preventing the removal of the PC chassis cover.

PC or peripheral theft, or theft of internal components can result in downtime and can allow unauthorized individuals access to sensitive data. Physical security is a significant component of any corporate security plan, as it restricts unauthorized access to company resources. The HP Business PC Security Lock is designed to be supported on all HP Compaq business PC models. In addition to protecting the removal of the PC chassis cover, the HP Business PC Security Lock can also lock-down peripherals such as mice, keyboards, monitors or USB security devices to protect them against unauthorized removal. The Lock attaches to the rear of the PC and the 6' steel cable can be used to secure the PC by physically connecting the system to an anchor point.

The finished all-steel design of the HP Business PC Security Lock enhances the security of internal system components such as CPU, memory and disk drives and can provide a significant deterrent to unauthorized removal of the keyboard, mouse, monitor and local peripherals.

NOTE: The key is the same in each kit and fits all HP Business PC Security Locks.

Key Benefits

- Secure your HP Business PC in public locations
- Help prevent removal of peripherals and PC chassis cover
- Monitor lock and key support
- Optional cable trap available to secure monitor cable and physically connect system to an anchor point
- Helps secure internal system components
- Deterrent to unauthorized removal of peripherals or PC
- Physical security is a key component of an overall security plan

NOTE: HP Security Cable locks are designed, tested, and proven to be an economical and effective deterrent to help prevent opportunistic theft. While HP Security Cable locks help protect supported computer equipment from theft, they are not designed to provide impervious protection and should not be relied on as the sole security solution for your equipment. HP Security Cable locks are only one of several methods that should be employed as part of a complete security solution to help maximize theft protection.

Compatibility

The HP Keyed Cable Lock is compatible with all computer equipment with an industry standard lock slot.

NOTE: Please check this product's web page on HP.com for current compatibility information.

NOTE: Not all products available in all regions.

Overview

HP Business PC Security Lock v2 Kit

Model

HP Business PC Security Lock v2 Kit

N3R93AA

Introduction

Help prevent chassis tampering and secure your PC and display in workspaces and public areas with the HP Business PC Security Lock v2 Kit.

Key Benefits

- Simply route the cable through the PC's lock slot and your display, anchor to a desk, table, or other fixed surface, and lock with your individual key.
- A master key configuration is also available upon request.
- Get the reassurance of a one-year limited warranty.

NOTE: HP Security Cable locks are designed, tested, and proven to be an economical and effective deterrent to help prevent opportunistic theft. While HP Security Cable locks help protect supported computer equipment from theft, they are not designed to provide impervious protection and should not be relied on as the sole security solution for your equipment. HP Security Cable locks are only one of several methods that should be employed as part of a complete security solution to help maximize theft protection.

Compatibility

The HP Keyed Cable Lock is compatible with all computer equipment with an industry standard lock slot.

NOTE: Please check this product's web page on [HP.com](#) for current compatibility information.

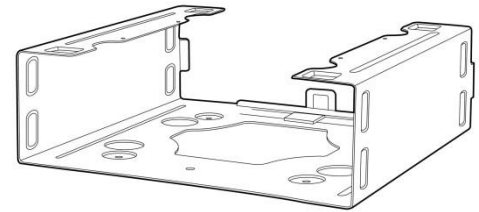
NOTE: Not all products available in all regions.

Overview

HP Wall Mount Security Sleeves

Physically mount and secure your 2013 and legacy HP Small Form Factor Business Desktop PC onto a wall or underneath a desk with the HP (2013) SFF Wall Mount/Security Sleeve.

The Wall Mount Security Sleeve is a specially designed bracket which allows your small form factor business desktop or HP Point of Sale System to be mounted on a wall or beneath the desk for enhanced security and convenience. In addition, the bracket helps to free up valuable space on your desktop.



Wall Mount Security Sleeves

Model	
HP (2013) SFF Wall Mount/Security Sleeve	FOK75AA
HP (2009) SFF Wall Mount/Security Sleeve	VN570AA
HP SFF Wall Mount/ Security Sleeve	GF344AA

Key Benefits

- Mount your desktop on a wall or beneath your desk
 - Enhances security and convenience
 - Frees up valuable desktop space
-

Compatibility

The HP (2013) SFF Wall Mount/Security Sleeve is compatible with HP ProDesk 400 G1 SFF, HP Compaq 6300 Pro SFF, HP ProDesk 600 G1 SFF, HP Compaq Elite 8300 SFF, HP EliteDesk 800 G1 SFF, HP Compaq 6305 Pro SFF, HP rp5700 Retail System, HP rp5800 Retail System.

HP (2009) SFF Wall Mount/Security Sleeve is compatible with the HP Compaq 4000 Pro SFF, HP Compaq 6000 Pro SFF, HP Compaq 4300 Pro SFF, HP Compaq 6005 Pro SFF, HP Compaq 6200 Pro SFF, HP Compaq 6300 Pro SFF, HP Compaq 8200 Elite SFF, HP Compaq 8300 Elite SFF, HP Compaq 6305 Pro SFF, HP rp5700 Retail System, HP rp5800 Retail System, HP EliteDesk 800 G1 SFF, and HP ProDesk 600 G1 SFF.

The HP SFF Wall Mount/Security Sleeve is compatible with the HP Compaq dc5800 Small Form Factor, HP Compaq dc5850 Small Form Factor, HP Compaq dc7700 Small Form Factor, HP Compaq dc7800 Small Form Factor, HP Compaq dc7900 Small Form Factor and the HP rp5700 Point of Sale Small Form Factor.

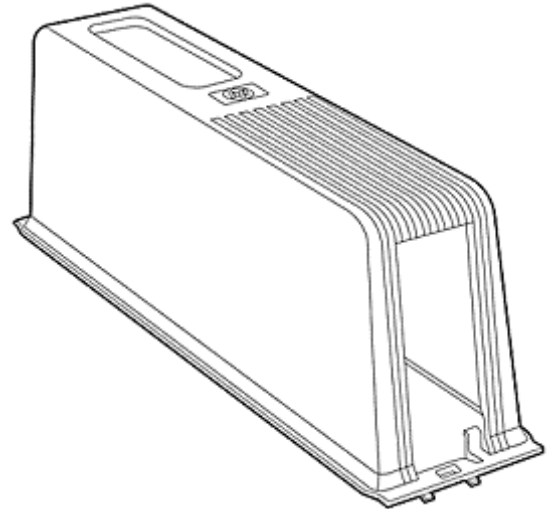
NOTE: Please check this product's web page on HP.com for current compatibility information.

NOTE: Not all products available in all regions.

Overview

HP Rear Port Controllers

Prevent access to ports at the back of your HP Compaq Business Desktop with a rear port controller cover.



Rear Port Controller Cover

Model	
HP (USDT) Rear Port Controller Cover	GJ121AA
HP (Black) USDT Rear Port Controller Cover	VN571AA

Key Benefits

- Prevent access to rear ports
 - Enhances security and convenience
-

Compatibility

The HP (USDT) Rear Port Controller Cover is compatible with HP Compaq dc7800 and dc7900 Ultra-Slim Desktop.

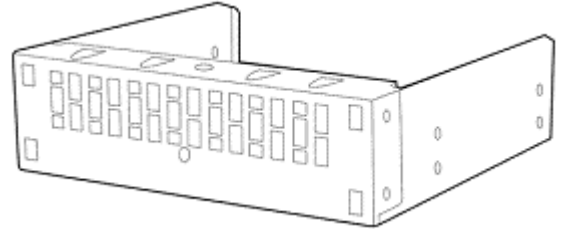
The HP (Black) USDT Rear Port Controller Cover is compatible with the HP Compaq 6005 Pro USDT, HP Compaq 8200 Elite USDT, HP Compaq 8300 Elite USDT, and HP EliteDesk 800 G1 USDT.

NOTE: Please check [this product's web page on HP.com](#) for current compatibility information.

Overview

HP Chassis Security Kit

Prevent access to or removal of internal components like memory, hard drive, and power supply, particularly designed for the education market.



Chassis Security Kit

Model

HP Chassis Security Kit

AR639AA

Key Benefits

- Protect your investment and help keep the system up and running by:
 - Safeguarding the memory and hard drive with a metal bay filler
 - Securing the power supply with two screws
 - Preventing cable disconnection
 - Locking down the front bezel so that internal components cannot be removed

Compatibility

The HP Chassis Security Kit is compatible with the HP Compaq 4000 Pro SFF, HP Compaq 6000 Pro MT, HP Compaq 6000 Pro SFF, HP Compaq 4300 Pro SFF, HP Compaq 6005 Pro MT, HP Compaq 6005 Pro SFF, HP Compaq 6200 Pro MT, HP Compaq 6200 Pro SFF, HP Compaq 6300 Pro MT, HP Compaq 6300 Pro SFF, HP Compaq 8200 Elite SFF, HP Compaq 8200 Elite CMT, HP Compaq 8200 Elite MT, HP Compaq 8300 Elite CMT, HP Compaq 8300 Elite MT, HP Compaq 8300 Elite SFF, HP Compaq 6305 Pro MT, HP Compaq 6305 Pro SFF, HP rp3000 Point of Sale System, HP rp5700 Retail System, HP EliteDesk 800 G1 TWR, and HP ProDesk 600 G1 TWR.

NOTE: Please check this product's web page on HP.com for current compatibility information.

Overview

HP UC Speaker Phone Mounting Bracket

Model	
HP UC Speaker Phone Mounting Bracket	T4E62AAA

Introduction

Secure mount for the HP UC Speakerphone. Includes a clip that allows you to fasten a speakerphone to the mount with a screwdriver. Either use screws or the included adhesive tape to secure the mount to the tabletop, for either a permanent or temporary placement.

NOTE: While the HP UC Speaker Phone Mounting Bracket helps to protect supported equipment from theft, they are not designed to provide impervious protection and should not be relied on as the sole security solution for your equipment.

Compatibility

The HP UC Speaker Phone Mounting Bracket is compatible with the HP UC Speakerphone

NOTE: Not all products available in all regions.

Technical Specifications

Dimensions	HP Ultraslim Cable Lock	5.9 ft (1.8 m) (length) 0.17 in (.44 cm) (diameter)
	HP Solenoid Lock and Hood (SFF/USDT) Sensor	2.5 x 1.8 x 1.0 in (6.35 x 4.6 x 2.5 cm)
	HP Solenoid Lock and Hood (TWR) Sensor	2.25 x 9.5 x 7.5 in (5.71 x 24.1 x 19.1 cm)
	HP 2009 (SFF) Smart Cover Lock and Hood Sensor – BP428AA	2.5 x 1.8 x 1.0 in (6.35 x 4.6 x 2.5 cm)
	HP (CMT) Solenoid Lock – DE618A	2.25 x 9.5 x 7.5 in (5.71 x 24.1 x 19.1 cm)
	HP Business PC Security Lock Kit – PV606AA	11.81 x 4.92 x 8.07 in (30 x 12.5 x 20.5 cm)
	HP Business PC Security Lock v2 Kit – N3R93AA	11.81 x 4.92 x 8.07 in (30 x 12.5 x 20.5 cm)
	HP SFF Wall Mount/ Security Sleeve – GF344AA	13.5 x 4.4 x 14.4 in (34.3 x 11.2 x 36.6 cm)
	HP (2009) SFF Wall Mount/Security Sleeve – VN570AA	13.5 x 4.4 x 14.4 in (34.3 x 11.2 x 36.6 cm)
	HP (USDT) Rear Port Controller Cover – GJ121AA	2.6 x 3.7 x 9.9 in (6.6 x 9.4 x 25.1 cm)
	HP (Black) USDT Rear Port Controller Cover – VN571AA	2.6 x 3.7 x 9.9 in (6.6 x 9.4 x 25.1 cm)
	HP Chassis Security Kit – AR639AA	1.6 x 5.7 x 5.4 (4.2 x 14.6 x 13.7 cm)

Weight	HP Ultraslim Cable Lock	4.2 lbs (0.12 kg)
	HP Solenoid Lock and Hood (SFF/USDT) Sensor	0.15 lbs (68 g)
	HP Solenoid Lock and Hood (TWR) Sensor	0.65 lbs (295 g)
	HP 2009 (SFF) Smart Cover Lock and Hood Sensor – BP428AA	0.15 lbs (68 g)
	HP (CMT) Solenoid Lock – DE618A	0.65 lbs (295 g)
	HP Keyed Cable Lock – BV411AA	0.27 lbs (122.47 g)
	HP Business PC Security Lock Kit – PV606AA	1.1 lbs (0.5 kg)
	HP Business PC Security Lock v2 Kit – N3R93AA	1.2 lbs (0.55 kg)
	HP (2009) SFF Wall Mount/Security Sleeve – VN570AA	5.9 lbs (2.68 kg)
	HP (USDT) Rear Port Controller Cover – GJ121AA	0.4 lbs (181 g)
	HP (Black) USDT Rear Port Controller Cover – VN571AA	0.4 lbs (181 g)
	HP Chassis Security Kit – AR639AA	0.55 lbs (249.5 g)

Option kit contents	HP Ultraslim Keyed Cable Lock Kit	HP UltraSlim Keyed Cable Lock, 2 keys, documentation
	HP Solenoid Lock and Hood (SFF/USDT) Sensor	Solenoid Lock, documentation
	HP Solenoid Lock and Hood (TWR) Sensor	Solenoid Lock, documentation
	HP 2009 (SFF) Smart Cover Lock and Hood Sensor – BP428AA	Solenoid Lock, documentation
	HP (CMT) Solenoid Lock – DE618A	Solenoid Lock, documentation

Technical Specifications

HP Business PC Security Lock Kit – PV606AA	Chassis clamp lock, two keys, steel security cable (6 feet long), peripheral cable trap, monitor lock, monitor lock key, and screws
HP Business PC Security Lock v2 Kit – N3R93AA	Chassis clamp lock with h screw, two keys, steel security cable (6' long), peripheral cable trap, monitor lock, anchor kit with h screws
HP SFF Wall Mount/ Security Sleeve – GF344AA	Wall Mount, screws, documentation
HP (2009) SFF Wall Mount/Security Sleeve – VN570AA	Wall Mount, screws, documentation
HP (USDT) Rear Port Controller Cover – GJ121AA	Rear Port Controller Cover, documentation
HP (Black) USDT Rear Port Controller Cover – VN571AA	Rear Port Controller Cover, documentation
HP Chassis Security Kit – AR639AA	Bay filler, screws, documentation

© Copyright 2016 Hewlett-Packard Development Company, L.P. The information contained herein is subject to change without notice. The only warranties for HP products and services are set forth in the express warranty statements accompanying such products and services. Nothing herein should be construed as constituting an additional warranty. HP shall not be liable for technical or editorial errors or omissions contained herein.

Microsoft and Windows are US registered trademarks of Microsoft Corporation.

Summary of changes

Date of change:	Version History:		Description of change:
	From v1 to v2		
August 4, 2014	From v23 to v24	Upgrade	Change the name and version for launching
		Added	Added the change log
July 30, 2015	From v24 to v25	Added	Adding in HP Business PC Security Lock V2 Kit
December 2, 2015	From v25 to v26	Added	HP UC Speaker Phone Mounting Bracket