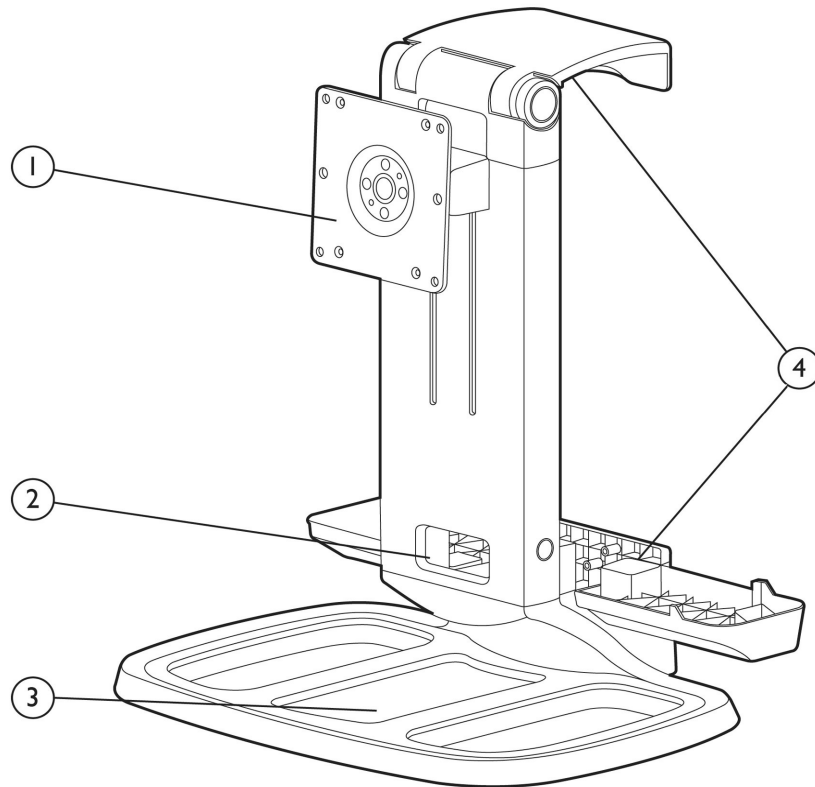


Overview



1. Adjustable VESA-compliant monitor mount
2. Slot for cable pass-thru
3. Storage area for keyboard and mouse
4. Secure Clamp to hold HP Compaq Small Form Factor Desktop PC

Models

Part Number: F2P06AA

Introduction

Maximize your available work space with the stylish and innovative HP Integrated Work Centre for Small Form Factors v3 (HP IWC SFF v3), designed to match the newest HP PC designs. Create a customized "all-in-one" solution by combining an HP Small Form Factor (SFF) Business Desktop PC or Workstation with an LED monitor up to 24 diagonal inches.*¹

*17 to 24-inch diagonal monitors need to meet supported weight limits of 6 to 12.1 lbs. (2.7 to 5.5 kg).

¹Each sold separately.

Overview

Key features and benefits

- Maximize your available work space with a customized "all-in-one" solution.
 - Simply attach the monitor to the VESA mount, route the cables, and place the SFF on the back platform of the stand.
 - Find your best viewing position with adjustable tilt, swivel, height adjustment, and pivot settings.*
 - Use the convenient slot at the base to manage cables and minimize clutter.
 - Store the keyboard and mouse when not in use, in a built-in storage area in the base.
-

Compatibility

HP ProDesk 400 G1 Small Form Factor (SFF), HP Compaq 4300 Pro SFF, HP Compaq 6300 SFF, HP ProDesk 600 G1 SFF HP Compaq Elite 8300 SFF, HP EliteDesk 800 G1 SFF, HP Compaq 6305 Pro SFF.

HP Z series Small Form Factor Workstations.

The stand will accommodate a VESA-compliant HP monitor up to 24" diagonal in size, and industry standard VESA-compliant monitors meeting supported weight limits. Monitors sold separately.

Service and support

Your Option Limited Warranty is a one (1) year (HP Option Limited Warranty Period) parts replacement warranty on any HP-branded or Compaq-branded options (HP Options). If your HP Option is installed in an HP Hardware Product, HP may provide warranty service either for the HP Option Limited Warranty Period or the remaining Limited Warranty Period of the HP Hardware Product in which the HP Option is being installed, whichever period is the longer but not to exceed three (3) years from the date you purchased the HP Option.

Technical Specifications

Stand Specifications	Dimensions (H x W x D)	Unpackaged (H x W x D): 16.8 x 14.5 x 12.1 in (427 x 368 x 307 mm) Packaged (L x W x H): 18.5 x 16.4 x 8.5 in (470 x 368 x 271 mm)
	Stand weight	Unpackaged: 8.4 lbs (3.8 kg) Packaged: 11.7 lbs (5.3 kg)
	Operating temperature	32° to 104° F (0° to 40° C)
	Storage temperature	-4° to 149° F (-20° to 65° C)
	Supported weight capacity	29 lbs. (13.1 kg) for combined weight with CPU & monitor Monitor capacity: 6 to 12.1 lbs (2.7 to 5.5 kg)
	Stand pan range	360°: -180° to + 180°
	Operating life	5,000 cycles on lift and tilt mechanisms
	Colour	Meteorite
	VESA external mounting	Yes (Standard 4 hole pattern, two separate 100 mm patterns on the mounting bracket)
	Option kit contents	Stand assembly screws & screw covers; monitor mounting screws
	The Integrated Work Centre Stand has been designed to support 17 to 24-inch diagonal monitors that weigh between 6 to 12.1 lbs (2.7 to 5.5 kg).	

Monitor Specifications	LCD size	17-inch to 24-inches LCD Monitor Motion may be restricted when using 22-24-inch diagonal monitors
	Monitor height adjustment range	5-inches (130 mm) Motion may be restricted when using 22-24-inch diagonal monitors
	Monitor tilt range	-3 to +21 degrees vertical tilt Motion may be restricted when using 22-24-inch diagonal monitors
	Monitor rotation	360° Motion may not work when using 22-24-inch monitors in portrait mode.
	Supported weight capacity	Monitor weight capacity: 6 to 12.1 lbs (2.7 to 5.5 kg)
	Compatible products	The stand will accommodate a VESA-compliant HP monitor up to 24" diagonal in size, and industry standard VESA-compliant monitors meeting supported weight limits. Monitors sold separately.

© 2013 Hewlett-Packard Development Company, L.P.

The information contained herein is subject to change without notice. The only warranties for HP products and services are set forth in the express warranty statements accompanying such products and services. Nothing herein should be construed as constituting an additional warranty. HP shall not be liable for technical or editorial errors or omissions contained herein.