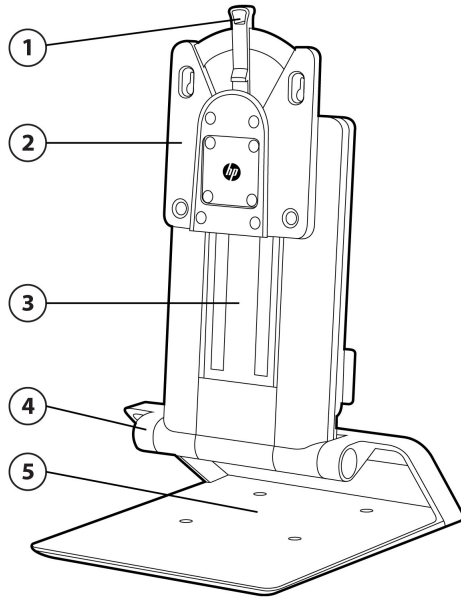
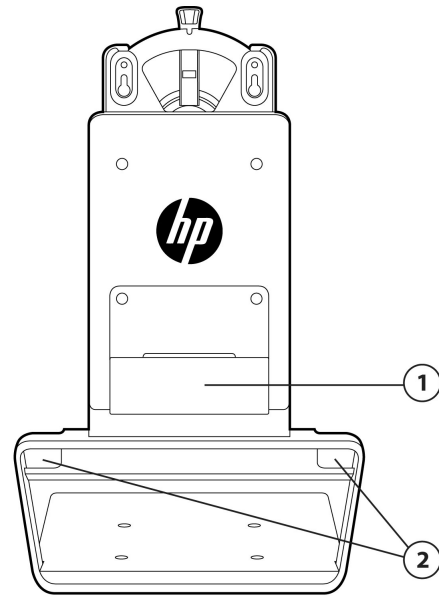


### Overview



1. HP Quick Release mounting latch
2. HP Quick Release
3. Height adjustment
4. Tilt adjustment
5. Mounting base with VESA holes for Desktop Mini or supported Thin Client<sup>3</sup>



1. Power supply holder for Desktop Mini
2. Cable management guides

---

### Model

Part Number:  
IWCdm - G1V61AA

---

### Introduction

The HP Integrated Work Center Stand - Desktop Mini / Thin Client is designed to provide convenient access to the Desktop Mini and select Thin Clients<sup>3</sup> to help maximize the use of limited desk space without compromising performance or productivity. It will support many HP 17 to 24-inch<sup>1</sup> diagonal LCD monitors (see compatibility list below), with VESA standard mounting brackets.

---

### Overview

#### Key features and benefits

- Make the most of small work spaces with an HP IWC Desktop Mini/Thin Client<sup>3</sup> that lets you create a compact desktop solution by combining a display<sup>1</sup> with an HP Desktop Mini or Thin Client<sup>3</sup>.
  - Save time and work smarter with easy front access to your HP Desktop Mini or Thin Client's<sup>3</sup> inputs, connectors, and power buttons.
  - Run all of your cables through the guides, and secure the HP Desktop Mini's power brick out of the way on the back of the stand.
  - Power brick tray for Desktop Mini keeps the power brick completely off the desk and out of the way.
  - Find your best viewing position with adjustable height, tilt, and swivel adjustment settings.
  - Built-in HP Quick Release enables easy installation and removal of monitor.
- 

#### Mounting

Desktop Mini Mounting or select Thin Client<sup>3</sup> Mounting: Use the 15.5mm screws (provided) to attach to the base of the stand. Monitor: Attach monitor to the front of the stand with the included HP Quick Release.

- Power brick for Desktop Mini: Place the Desktop Mini Power brick in the tray on the back of the stand.
  - Cables: Route the cable through the guides.
- 

#### Compatibility

The Integrated Work Center Stand Desktop Mini / Thin Client is designed to exclusively accommodate HP Desktop Mini, select Thin Clients<sup>3</sup>, HP Chromebox and the HP LCD monitors shown below (each sold separately).

##### HP Business Monitors

###### **ProDisplay**

LE1711, P17A, LE1911, P19A, P201, P221, P231

###### **EliteDisplay**

LA1956x, E190i, E201, E221, E231, LA2405x, E241i, E221i, E231i

###### **Performance**

ZR2040w, ZR2240w, Z22i, ZR2330w, Z23i, Z24i, ZR2440w

###### **Value**

V206hz, V201, V201a, V241, V241a

###### **Touch**

L2206tmp, L2206tm

###### **Specialty**

E221c, L2401x, L2311c, S231d

### Technical Specifications

<b>Mechanical</b>	<b>Tilt range</b>	-3 to +30 degrees
	<b>Swivel range</b>	-180 degrees to +180 degrees
	<b>Height adjustable</b>	Yes, range: 130 mm
	<b>Pivot rotation</b>	No
	<b>Dimensions</b> (H x W x D)	Unpackaged: 41.1 x 25.9 x 27.4 cm (16.18 x 10.19 x 10.78 in) Packaged: 33.5 x 33 x 48 cm (13.2 x 13 x 18.9 in)
	<b>Weight</b>	Stand Only: 2.6 kg (5.5 lb) Packaged: 4.18 kg (9.2 lb)
	<b>VESA mounting holes</b>	Standard 4-hole pattern, 100 mm
<b>Supported weight capacity</b>	HP Integrated Work Center - Desktop Mini / Thin Client has been designed to support 17 to 241-inch diagonal HP LCD monitors from 2.27 kg to 5.0 kg (5.0 lbs to 11.0 lb).	
<b>Other</b>	<b>Included Accessories</b>	Exclusive Integrated Work Center VGA video cable (right sized for the Integrated Work Center), power brick holder for Desktop Mini, HP Quick Release, documentation kit.
	<b>Quick Start Guide languages</b>	English, Spanish, French, Dutch, Italian, German, S. Chinese, T. Chinese, Japanese, B. Portuguese, Korean and Thai
	<b>Warranty languages</b>	English, Spanish, French, Dutch, Italian, German, S. Chinese, T. Chinese, Japanese, B. Portuguese, Korean and Thai
	<b>Compliance</b>	RoHS compliant, Low Halogen <sup>2</sup>
<b>Limited Warranty</b>	The HP Integrated Work Center - Desktop Mini / Thin Client carries a one-year limited warranty. Technical support is available seven days a week, 24 hours a day, by phone, as well as online support forums. Certain restrictions and exclusions apply.	

©2014 Hewlett-Packard Development Company, L.P.

The information contained herein is subject to change without notice. The only warranties for HP products and services are set forth in the express warranty statements accompanying such products and services. Nothing herein should be construed as constituting an additional warranty. HP shall not be liable for technical or editorial errors or omissions contained herein.

1. Not all 24-inch monitors supported please refer list of compatible monitors.
2. External power supplies, power cords, cables and peripherals are not Low Halogen. Service parts obtained after purchase may not be Low Halogen.
3. HP Thin Client supported is the t520.