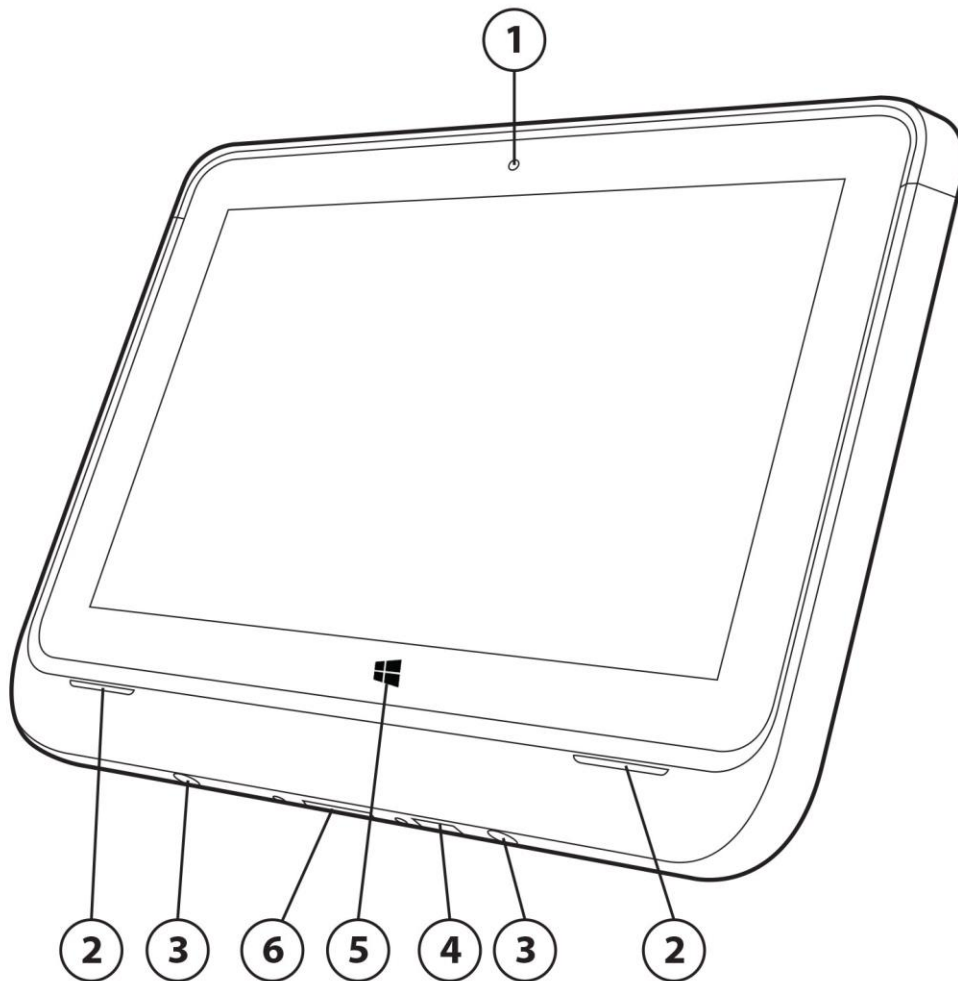


Overview

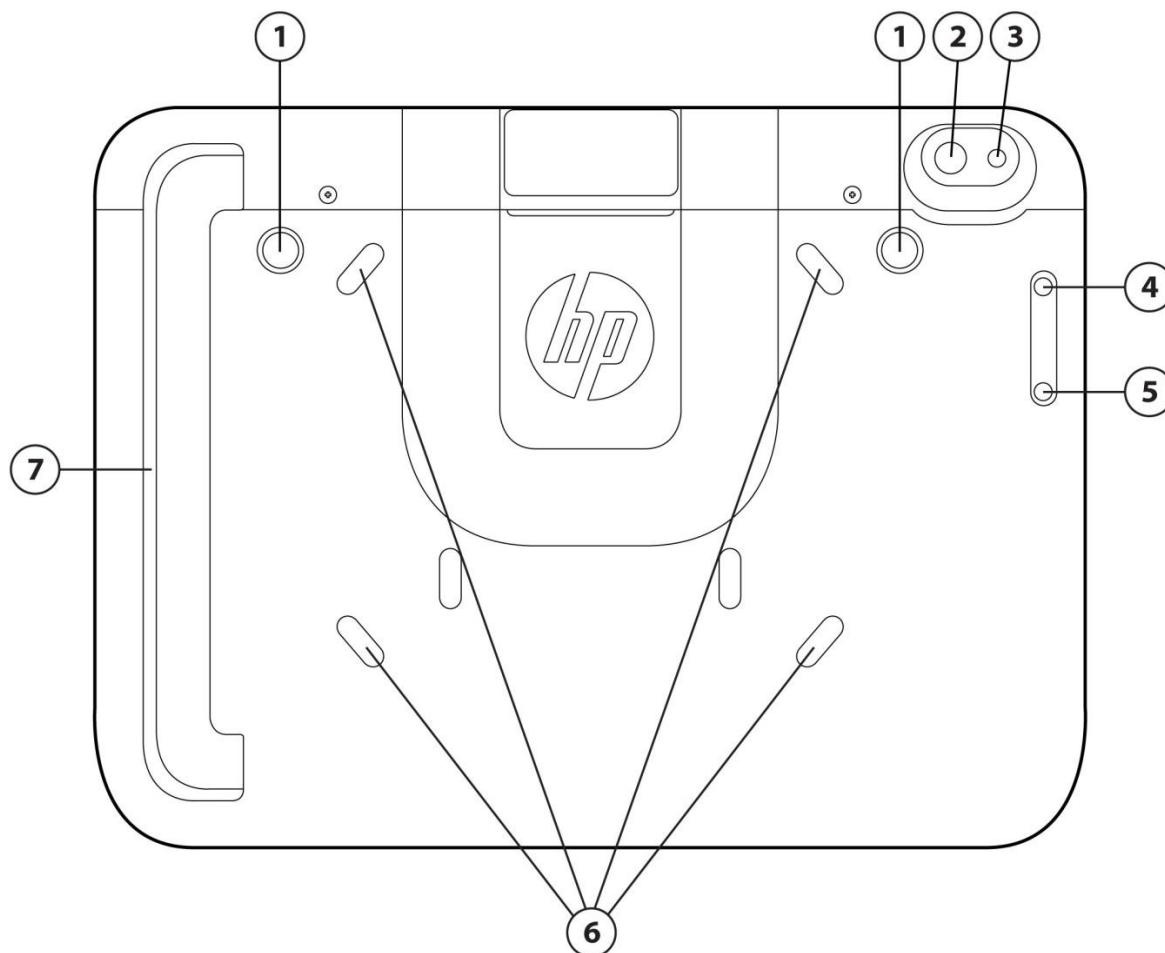
HP ElitePad G2 Mobile POS Solution



Display Side

- | | |
|----------------------------------------|-----------------------------------|
| 1. Front-facing 2.1MP/1080p camera | 4. USB port |
| 2. Stereo speakers | 5. Windows home capacitive button |
| 3. Shoulder strap connection point (2) | 6. System connector |

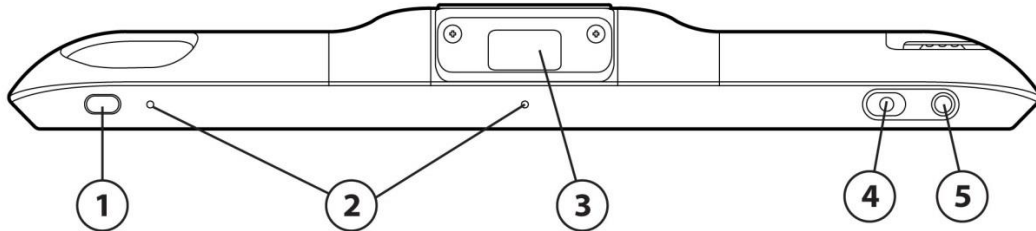
Overview



Rear View

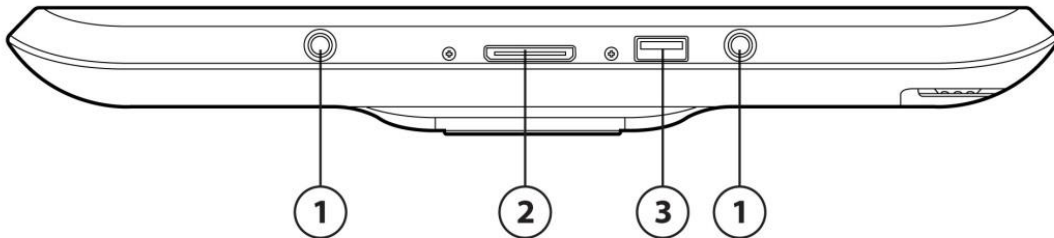
- | | |
|---------------------------------------|------------------------------------|
| 1. Barcode scanner trigger button (2) | 5. Volume Down |
| 2. 8MP camera | 6. Hand strap connection point (4) |
| 3. Flash LED | 7. Magnetic stripe reader |
| 4. Volume up | |

Overview



Top View

- | | |
|--------------------------------------------------|------------------------------------|
| 1. Power button | 4. Rotation Lock Switch |
| 2. Integrated microphone (dual-microphone array) | 5. Combo headphone/microphone jack |
| 3. Barcode scanner | |



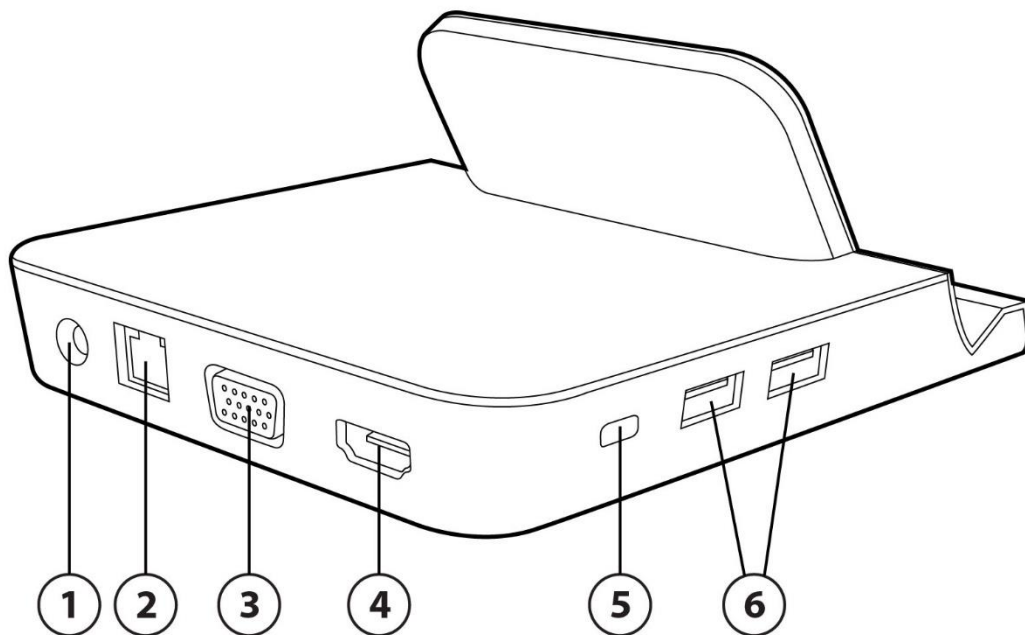
Bottom View

- | | |
|------------------------------------------|-------------|
| 1. Shoulder strap connection point (2) * | 3. USB port |
| 2. System connector | |

*Shoulder strap sold separately by a third party.

HP ElitePad Mobile POS Charging Dock

Overview

**Back:**

1. AC Adapter
2. RJ-45
3. VGA
4. HDMI

Side:

5. Security lock slot
6. USB 2.0 and Power-USB 2.0

Side (not shown):

8. USB 2.0
9. USB 2.0
10. Charge LED

Overview

The HP ElitePad Mobile POS Solution is designed to look great, built to last, and works dependably everywhere from the store floor to the back room. The HP Retail Jacket features a fully integrated design with built-in POS functionalities and when coupled with the ElitePad, allows associates to accelerate checkout, increase sales, and respond more quickly to customers. It also can be used to assist store management with internal communication, reporting, and workforce management, bringing the store experience, both front end and back, to the next level.

AT A GLANCE

HP Retail Jacket for ElitePad

- 1D/2D barcode scanner
- Three-track, bi-directional magnetic stripe reader
- USB port
- Hand strap
- Shoulder sling provisions***
- Optional battery

HP ElitePad Mobile POS Charging Dock

- 3 USB 2.0 ports, 1 Power-USB 2.0 port
- (1) HDMI, (1) VGA, (1) RJ-45, (1) Smart AC adapter, (1) charge LED
- Combo stereo/headphone jack

HP ElitePad 1000 G2

- Windows 10 Pro, 64-bit, Windows 10 IoT Enterprise, 64-bit, Windows 8.1 Pro Retail 64, and Windows Embedded 8.1 Industry 64
 - Two integrated webcams (2.1 MP/1080p (front facing); 8 MP with LED flash (rear facing))
 - Intel® Atom Bay Trail-T Z3795 Quad Core 1.6 GHz SoC BGA
 - Integrated Intel HD Graphics
 - 10.1-inch diagonal WUXGA wide-viewing angle outdoor display (1920 x 1200)); 16:10 Aspect Ratio
 - 4GB LPDDR3 1067 MHz Memory
 - 2-cell (30 WHr) polymer HP Long Life battery
 - 64 GB embedded Multi Media Card (eMMC)
 - 9.2 mm thin profile
 - Weight starting at 1.50 lbs (0.68 kg)
 - MicroSDXC card slot supports SDXC Cards up to 2TB
 - Wireless connectivity: Broadcom 43241 802.11 a/b/g/n (2x2)+ BT 4 LE SDIO
 - Standard commercial 1 year warranty with upgrade available with optional HP Care Pack
- NOTE: See important legal disclosures for all listed specs in their respective features sections.**

Features

FEATURES

PRODUCT NAME

HP ElitePad G2 Mobile POS Solution

- HP ElitePad 1000 G2
- HP Retail Jacket for ElitePad

HP ElitePad Mobile POS Charging Dock

OPERATING SYSTEM

Preinstalled

Windows 10 Pro, 64-bit *
Windows 10 IoT Enterprise, 64-bit *
Windows 8.1 Pro Retail 64 **
Windows Embedded 8.1 Industry 64**

* Not all features are available in all editions or versions of Windows. Systems may require upgraded and/or separately purchased hardware, drivers, software or BIOS update to take full advantage of Windows functionality. Windows 10 is automatically updated, which is always enabled. ISP fees may apply and additional requirements may apply over time for updates. See <http://www.microsoft.com> for details.

** Not all features are available in all editions of Windows 8.1. Systems may require upgraded and/or separately purchased hardware, drivers and/or software to take full advantage of Windows 8.1 functionality. See <http://www.microsoft.com> for details.

PROCESSOR

Intel Atom Z3795 (Quad Core 1.6 GHz base/2.39 GHz burst SoC BGA)*

* Multi-Core is designed to improve performance of certain software products. Not all customers or software applications will necessarily benefit from use of this technology. 64-bit computing on Intel® architecture requires a computer system with a processor, chipset, BIOS, operating system, device drivers, and applications enabled for Intel® 64 architecture. Processors will not operate (including 32-bit operation) without an Intel® 64 architecture-enabled BIOS. Performance will vary depending on your hardware and software configurations. Intel's numbering is not a measurement of higher performance.

NOTE: Processor speed denotes maximum performance mode; processors will run at lower speeds in battery optimization mode.

CHIPSET

Integrated SoC PCH

GRAPHICS

Integrated:
Intel HD Graphics

DISPLAY

Internal

10.1-inch diagonal WUXGA wide-viewing angle outdoor display (1920 x 1200)

- Wide-viewing angle
- Direct bonded
- Multi-touch capacitive digitizer
- Auto rotate (selectable)
- Tough, durable Corning Gorilla Glass 3
- Anti-smudge coating

Features

External

Up to 32-bit per pixel color depth

HDMI

Supports resolutions up to 1920x1080 @ 60 Hz

STORAGE AND DRIVES

Internal Storage Device

64* embedded Multi Media Card (eMMC)

MicroSDXC card slot supported

Supports MicroSDXC Cards up to 2TB

Removable Storage

Optional HP External Optical Drive using ElitePad USB connector

* For Solid State Drives (SSD), GB = 1 billion bytes. Actual formatted capacity is less. Up to 5 GB for Windows 8.1 is reserved for system recovery software.

MEMORY

Standard

4 GB LPDDR3 1067 MHz memory

NETWORKING/COMMUNICATIONS

Integrated Wireless LAN

Broadcom 43241 802.11 a/b/g/n (2x2)+ BT 4 LE SDIO

AUDIO/MULTIMEDIA

Audio

HD audio with DTS Sound +

2 Integrated stereo speakers

2 integrated microphones (dual-microphone array) (noise cancelling and beam forming)

Combo stereo/headphone/microphone jack

Cameras

Integrated 2.1 MP/1080p* with LED (front-facing)

8 MP with LED flash (rear facing)

* HD content required to view HD images.

INPUT DEVICES

Optional HP Executive Tablet Pen G2*

* Sold separately or purchased as an optional feature.

SENSORS

Accelerometer

eCompass

Gyroscope

Ambient Light Sensor

Haptics

SOFTWARE AND SECURITY

Software

Windows 8.1 Pro Retail 64, Windows Embedded 8.1 Industry 64

Included

Features

Security HP Client Security (incl. Credential Manager and Password Manager)
Absolute Data Protect¹
Device Access Manager with Just In Time Authentication (web only)
Essential System Updates for Microsoft Windows 8.1

HP Value Add Software HP ePrint Driver
HP Manageability
HP PageLift
PDF Complete
HP WallPaper
System Default Settings
HP PC Hardware Diagnostics UEFI

Microsoft Products Office Starter 2013 (Pro image only)²

1. HP ElitePad 1000 includes a 4 year license of Absolute Data Protect to locate your device, lock and prevent unauthorized access and remotely delete personal data. License must be activated by customer. See <http://www.absolute.com/landing/2012/computrace-hp> for complete details. Absolute Data Protect agent is shipped turned off, and must be activated by customers. Service may be limited, check with Absolute for availability outside the U.S. The optional subscription service of Absolute Recovery Guarantee is a limited warranty. Certain conditions apply. For full details visit: <http://www.absolute.com/company/legal/agreements/computrace-agreement>. If Data Delete is utilized, the Recovery Guarantee payment is null and void. In order to use the Data Delete service, customers must first sign a Pre-Authorization Agreement and either create a PIN or purchase one or more RSA SecurID tokens from Absolute Software.
2. The Pro Retail image comes with Office Starter while the Embedded image does not.

SECURITY

Client Management Solutions - Fully manageable and supported by industry-standard HP Client Management Solutions. Optional LANDesk management suite simplifies mobile device management and security. Contact your account team or hp@landesk.com for more information.

LANDesk Management Suite 9.5 (optional) LANDesk Security Suite (optional)

HP System Software Manager (SSM)*
HP BIOS Configuration Utility (BCU)*
HP Client Management Interface (HP CMI)*

* free downloads available at the CMS website under HP Hardware Management **tools**
<http://www.hp.com/go/clientmanagement>

Standard

Firmware TPM* (default), hardware TPM (v1.2)
Near Field Communication with Secure Element**

* A subset of the TPM 2.0 specification version v0.89 as implemented by Intel Platform Trust Technology (PTT).

** NFC is shipped disabled.

For more information on HP security solutions refer to: <http://www.hp.com/go/security>

POWER



Features

Power Supply

External 10-watt HP ElitePad 10W Smart AC Adapter with detachable duck-heads
Total length is 5.9 ft (180 cm).

Primary Battery

2-cell (30 WHr) Lithium Polymer battery

Battery Life*

Up to 9 hours**

Battery Life with Primary Battery and optional HP ElitePad Expansion Jacket* with optional Battery*

Up to 16 hours**

System Standby Time

Standby life will vary depending on various factors including battery, Memory, CPU, EC and LAN chip. The maximum capacity of the battery will naturally decrease with time and usage.

Power Conservation

Balanced

* Sold separately or as an optional feature.

**Testing conducted by HP consisting of full battery discharge while running a series of productivity scripts against the following applications (which may or may not be included with your particular product): Adobe® AcrobatReader 7.0, Adobe® Illustrator® CS2, Adobe® Photoshop® CS2, Apple® Quicktime 7.1, Intervideo® WinDVD® 8, Macromedia® Flash 8, Microsoft® Office® 2003 Pro, Microsoft® Project 2003, and Winzip® 10.0. Prior to testing, the system was fully charged, display brightness was set at 60 nits, wireless was turned off, and auto dim, suspend, hibernate and all other programs, utilities, and services not essential to running the computer system or battery life test were disabled. Battery life will vary depending on the product model, configuration, loaded applications, features, use, wireless functionality and power management settings. The maximum capacity of the battery will naturally decrease with time and usage

WEIGHTS & DIMENSIONS

Weight

Starting at 1.50 lbs. (0.68 kg) (Weight will vary by configuration.)

Dimensions (w x d x h)

10.28 x 7.01 x 0.36 in

261 x 178 x 9.2 mm

NOTE: Weight varies by configuration and components. Weight includes 2-cell battery, embedded Multi Media Card, and 4 GB memory.

PORTS/SLOTS

Ports

Headphone/Microphone Combo Jack – One

System Connector – One

Digital Media Slots

Micro SDXC card slot

Micro SIM slot

HP RETAIL JACKET FOR ELITEPAD WITH BATTERY

Dimensions	Battery and Jacket (H x W x D)	8.15 x 10.91 x 1.26 in (207 x 277 x 32 mm)
	Battery only (H x W x D)	4.3 x 118.5 x 200 mm
Weight	Jacket and Battery	1.96 lbs (890 g)
	Jacket only	1.54 lbs (700 g)

Features

Ports/connectors	Battery only	0.42 lbs (190 g)
Additional features	(1) USB port	
	(1) Power/system connector	
	(1) Hand strap (right or left-handed orientation)	
Drivers	Windows native, OPOS, JavaPOS, POS for .NET (MSR only)	

Specs	HP ElitePad Main Battery	HP ElitePad Jacket Battery
Battery Cells/Type	Lithium-ion Polymer	Lithium-ion Polymer
Energy		
	Voltage	7.4V
	Amp-hour capacity	3.38Ah
	Watt-hour capacity	25Wh
Temperature Battery	Operating (Charging)	32° to 113° F (0° to 45° C)
	Operating (Discharging)	14° to 140° F (-10° to 60° C)
	Non-operating	-4° to 140° F (-20° to 60° C)
Temperature Jacket Only	Operating	41° to 95° F (5° to 35° C)
	Non-operating	-4° to 140° F (-20° to 60° C)
Battery Re-Charge Time	System in OFF or Standby Mode	2.5~3.5 hours
	System ON	1.5 to 3 hours
Relative humidity (Jacket)	Operating	2.5 to 5 hours
	Non-operating	1.5 to 4 hours
	Operating	10% to 90%, relative humidity
	Non-operating	5% to 95% relative humidity, 101.6° F (38.7° C) maximum wet bulb temperature
Altitude (Jacket)	Operating	-50 to 10,000 ft (-15.24 to 3,048 m)
	Non-operating	-50 to 40,000 ft (-15.24 to 12,192 m)
Shock (Jacket)	Operating	40 G, 2 ms, half-sine
	Non-operating	200 G, 2 ms, half-sine
Random Vibration	Operating	10-500 Hz, 0.5 grms
	Non-operating	10-500 Hz, 1.0 grms
Fuel Gauge LED on Battery	No	
Stand-alone power requirements for Jacket	6.5 V	
Stand-alone power requirements for Jacket	8.952 W	
	< 40 W	
Power conservation	Standby, hibernation	
Barcode scanner	Scanner type	Omni-directional
	Light Source	622 nm – 628 nm visible LED
	Nominal working distance/depth of field	35 mm – 210 mm
	Print contrast	≥30%
	Scan angle	36° (horizontal)
	Decode symbologies factory default barcodes	Code39* Code93* Code128* UPC-A* UPC-E* EAN-8* EAN-13*

Features

PDF417*
 UCC/EAN 128*
 GS1 Databar*
 QR Code*
 Data Matrix*

* Factory setting has these code selections enabled by default

Available symbologies

1D symbologies: Code128, EAN-13, EAN-8, Code39, UPC-A, UPC-E, Codabar, Interleaved 2 of 5, ISBN, Code93, UCC/EAN-128, S1 Databar, etc. 2D symbologies: PDF417, QR Code (model ½), Datamatrix (EC200, ECC000, 050, 080, 100, 140), Aztec, Maxiode, etc.

Magnetic Stripe Reader

General

Bi-directional
 Reads up the three (3) tracks
 Reads ISO 7811, ASMVA cards
 0.015 to 0.045 in (0.38 to 114 mm)
 0.045 to 0.061 in (1.15 to 1.55 mm)
 500,000 card swipes
 Triple DES Encryption
 Shipped with encryption disabled*
 DUKPT Key Management

Formats

Card thickness

Slot width

Reliability

Security

Key Management

* The MSR is shipped in unencrypted mode so that data is transmitted in clear text. Encryption mode may be enabled by customer using separately purchased injection service. Additional service fees may apply to process payment transactions.

SERVICE AND SUPPORT

1-year standard parts, labor and onsite limited warranty, (depending on country); 1-year limited warranty on primary battery. Optional HP Care Pack Services* are extended service contracts which go beyond your standard warranties.

For more details visit: <http://www.hp.com/go/cpc>.

* Sold separately or as an optional feature.

NOTE: Service levels and response times for HP Care Packs may vary depending on your geographic location. Service starts on date of hardware purchase. Restrictions and limitations apply. For details, visit <http://www.hp.com/go/cpc>. Consult the HP Customer Support Center for details. <http://h20000.www2.hp.com/bizsupport/TechSupport/ProductRoot.jsp>

Features

HP ElitePad Mobile POS Charging Dock

Dimensions (H x W x D)	4.83 x 5.34 x 2.24 in (122.8 x 135.7 x 57 mm)
Weight	1.48 lb (670 g)
USB ports	(3) USB 2.0 ports, (1) Power-USB 2.0 port
Audio connectors	Combo stereo/headphone jack
Other connectors	(1) HDMI, (1) VGA, (1) RJ-45, (1) Smart AC adapter, (1) charge LED
Stand-alone power requirements	Normal Operating Voltage 19.5 V
	Average Operating Power 8.5 W
	Max Operating Power < 40 W
Temperature	Operating 32° to 95° F (0° to 35° C)
	Non-operating 4° to 140° F (-20° to 60° C)
Relative humidity	Operating 10% to 90%, relative humidity
	Non-operating 5% to 90% relative humidity, 101.6° F (38.7° C) maximum wet bulb temperature
Altitude	Operating -50 to 10,000 ft (-15.24 to 3,048m)
	Non-operating -50 to 40,000 ft (-15.24 to 12,192 m)
Shock	Operating N/A
	Non-operating 200 G, 2 ms, half-sine
Random vibration	Operating N/A
	Non-operating 10-500 Hz, 1.0 grms
Option kit contents	HP ElitePad Docking Station, 40W Smart AC adapter, power cord, documentation
Compatibility	HP ElitePad 900 G1 Tablet, HP ElitePad 1000 G2 Tablet

Technical Specifications

TECHNICAL SPECIFICATIONS

SYSTEM UNIT (ElitePad Only)

Stand-Alone Power Requirements (AC Power)	Nominal Operating Voltage	90 Vac~265 Vac
	Average Operating Power	8 W
	Max Operating Power	< 10 W
Temperature	Operating	32° to 95° F (0° to 35° C)
	Non-operating	-4° to 140° F (-20° to 60° C)
Relative Humidity	Operating	10% to 90%, non-condensing
	Non-operating	5% to 95%, 101.6° F (38.7° C) maximum wet bulb temperature
Shock	Operating	40 G, 2 ms, half-sine
	Non-operating	200 G, 2 ms, half-sine
Random Vibration	Operating	0.75 grms
	Non-operating	1.50 grms
Altitude (unpressurized)	Operating	-50 to 10,000 ft (-15.24 to 3,048 m)
	Non-operating	-50 to 40,000 ft (-15.24 to 12,192 m)
Planned Industry Standard Certifications	UL	Yes
	CSA	Yes
	FCC Compliance	Yes
	ICES	Yes
	Australia / NZ A-Tick Compliance	Yes
	CCC	Yes
	Japan VCCI Compliance	Yes
	KC	Yes
	BSMI	Yes
	CE Marking Compliance	Yes
	BNCI or BELUS	Yes
	CIT	Yes
	GOST	Yes
	Saudi Arabian Compliance (ICCP)	Yes
	SABS	Yes
	UKRSERTCOMPUTER	Yes

For accessibility information on HP products, please visit: <http://www.hp.com/accessibility>.

DISPLAYS

10.1-inch diagonal WUXGA wide-viewing angle outdoor display (1920 x 1200)	Diagonal Size	10.1 inch
	Surface	Anti-smudge Gorilla Glass 3
	Refresh Rate	60Hz
	Brightness	400 nits (typical)*
	Format	1920 x 1200

* All specifications represent the typical specifications provided by HP's component manufacturers; actual performance may vary either higher or lower.

Technical Specifications

STORAGE AND DRIVES

64 GB embedded Multi Media Card (eMMC)	Drive Weight	Up to 2g
	Capacity	64 GB
	Height	1.4 mm
	Width	12 x 16 mm
	Interface	MMC protocol v4.51
	Performance	Sequential Read : 100MB/s (min.) Sequential Write : 40MB/s (min.)
	Features	Embedded Multi Media Card v4.51 compliant, TRIM, Secure Erase, CMD5 support, Partition management, Enhanced Write Protection, HS200 support

SECURITY

Near Field Communications (NFC)*	NFC Specifications	ISO/IEC 14443A, ISO/IEC 14443B PCD 106 kbps to 848 kbps ISO/IEC 14443A, ISO/IEC 14443B PICC 106 kbps to 424 kbps ISO/IEC 15693/ICODE reader NFC-IP1 and NFC-IP2 protocols, 106 kbps to 424 kbps MIFARE reader encryption mechanism NFC Forum Types 1-4 card reader
	Supported Host Interfaces	I2C Automatic wakeup from Standby via host control interface
	Dimensions	0.18 x 0.18 x 0.04 in (4.5 x 4.5 x 0.9 mm)
	Frequency Band	13.56 MHz ISO Band
	RF Output Voltage	3.3 V max 150 mA max (@3.0V output)
	Power Consumption	1.5 W (max)
	Antenna	Built-in
	Antenna Range	Up to 0.79 in (2 cm)
	Secure Element Interfaces	SWP/HCI according to ETSI/SCP standardization ISO/IEC 28361 (ECMA 373) NFC-WI. Data rate restricted to 106kbps
	Embedded Secure Element (eSE)	P5CN145 SmartMX Secure Dual Interface PKI Smart Card Controller
	eSE Memory	144 kB EEPROM 264 kB User ROM 7.5 kB RAM (5 kB standard, 2.5 kB FameXE RAM)
	Operating Temperature	-13 to 185 °F (-25 to +85°C)

* NFC is shipped disabled.

Technical Specifications

NETWORKING/COMMUNICATIONS

BROADCOM DUAL BAND WIRELESS-N 43241 802.11 A/B/G/N (2X2) WIFI + BLUETOOTH 4.0 COMBO ADAPTOR *	WIRELESS LAN STANDARDS	IEEE 802.11A IEEE 802.11B IEEE 802.11G IEEE 802.11N
	Interoperability	Wi-Fi certified Cisco Compatible Extensions Program compliant with Microsoft Windows 7, Windows Vista and XP (details at: http://www.hp.com/go/notebooks/WLAN)
	Frequency Band	802.11b/g/n 2.402 - 2.482 GHz 802.11a/n 4.9 - 4.95 GHz (Japan) 5.15 - 5.25 GHz 5.25 - 5.35 GHz 5.47 - 5.725 GHz 5.825 - 5.850 GHz
	Antenna Structure	2 transmit; 2 receive (2x2)
	Data Rates	802.11a: 6, 9, 12, 18, 24, 36, 48, 54 Mbps 802.11b: 1, 2, 5.5, 11 Mbps 802.11g: 6, 9, 12, 18, 24, 36, 48, 54 Mbps 802.11n: MCS 0 ~ MCS 15, (20MHz, and 40MHz)
	Modulation	Direct Sequence Spread Spectrum CCK, BPSK, QPSK, 16-QAM, 64-QAM
	Security¹	<ul style="list-style-type: none"> • IEEE and WiFi compliant 64 / 128 bit WEP encryption for a/b/g mode only • AES-CCMP: 128 bit in hardware • 802.1x authentication • WPA, WPA2: 802.1x. WPA-PSK, WPA2-PSK, TKIP, and AES. • WPA2 certification • IEEE 802.11i • Cisco Certified Extensions, all versions through CCX4 and CCX Lite • WAPI
	Sub-channels	Multinational support with frequency bands and channels compliant to local regulations.
	Network Architecture Models	Ad-hoc (Peer to Peer) Infrastructure (Access Point Required)
	Roaming	IEEE 802.11 compliant roaming between band Access Points
	Output Power²	<ul style="list-style-type: none"> • 2.4G: +13.5dBm minimum • 5G: +12dBm minimum
	Power Consumption	Transmit: 2.0 Watts Receive: 1.6 Watts Idle mode ³ : 150 mW (WLAN Associated) Idle mode: 50 mW (WLAN unassociated) Radio off: 25 mW
	Power Management	802.11 compliant power saving mode
	Receiver Sensitivity⁴	802.11g:-90 dBm (6 Mbps), -89 dBm (9 Mbps), -87 dBm (12 Mbps), -85 dBm (18 Mbps), -82 dBm (24 Mbps), -79 dBm (36 Mbps), -76 dBm (48 Mbps), -74 dBm (54 Mbps) 802.11b:-95 dBm (1 Mbps), -93 dBm (2 Mbps), -91 dBm (5.5 Mbps), -88 dBm (11 Mbps)

Technical Specifications

802.11g:-90 dBm (6 Mbps), -89 dBm (9 Mbps), -87 dBm (12 Mbps), -85 dBm (18 Mbps), -82 dBm (24 Mbps), -79 dBm (36 Mbps), -76 dBm (48 Mbps), -74 dBm (54 Mbps)

802.11n:-69 dBm (150 Mbps), -66 dBm (300 Mbps)
2 U.FL type connectors (output impedance of 50 ± 2 ohms)

Antenna Connections

Form Factor

Customize LGA Card

Dimensions

Width 17 x Depth 10.5 x High 1.5(mm)

Operating Voltage

3.3v +/- 9% and 1.8V +/- 9%

Temperature

Operating 14° to 158° F (-10° to 70° C)
Non-operating -40° to 176° F (-40° to 80° C)

Humidity

Operating 10% to 90% (non-condensing)
Non-operating 5% to 95% (non-condensing)

Altitude

Operating 0 to 10,000 ft (3,048 m)
Non-operating 0 to 50,000 ft (15,240 m)

HP Integrated Module with Bluetooth 4.0 LE SDIO Wireless Technology*

*This module is Bluetooth Smart Ready for systems running Windows 8 and Windows 8.1.

Bluetooth Specification

BT 4.0 LE SDIO

Dimensions

Width 17 x Depth 10.5 x High 1.5(mm)

Frequency Band

2402 to 2480 MHz

Number of Available Channels

79 (1 MHz) available channels

Data Rates and Throughput

3 Mbps data rate; throughput up to 2.17 Mbps
Synchronous Connection Oriented links up to 3, 64 kbps, voice channels
Asynchronous Connection Less links 2178.1 kbps/177.1 kbps asymmetric or 1306.9 kbps symmetric

Transmit Power

-1.5 dBm to 4 dBm (Bluetooth Class II)

Receiver Sensitivity

Better than -20 dBm at 0.1 % raw bit error rate

Power Consumption

Peak (Tx) 300 mW
Peak (Rx) 180 mW
Selective Suspend 10 mW

Antenna

Internally integrated within module

Range

Up to 33 ft (10 m)

Electrical Interface

UART compliant

Microsoft Windows Plug and Play compliant

Bluetooth Software Supported

Broadcom Bluetooth for Windows

Microsoft Windows Bluetooth Software

Link Topology

Point to Point, Multipoint Pico Nets up to 7 slaves

Security

Full support of Bluetooth Security Provisions

Power Management

Microsoft Windows ACPI, and USB Bus Support
Self-configurable to optimize power conservation in all operating modes, including Standby, Hold, Park, and Sniff

Certifications

All necessary regulatory approvals for supported countries, including:
FCC (47 CFR) Part 15C, Section 15.247 & 15.249
ETS 300 328, ETS 300 826
Low Voltage Directive IEC950
UL, CSA, and CE Mark

Technical Specifications

Bluetooth Profiles Supported

Serial Port Profile (SPP)¹
 Service Discovery Application Profile (SDAP)
 Dial-Up Networking (DUN)^{1,2}
 Generic Object Exchange Profile (GOEP)^{1,2}
 Object Push Profile (OPP)^{1,2}
 File Transfer Profile (FTP)
 Synchronization Profile (SYNC)
 Hard Copy Cable Replacement (HCRP)^{1,2}
 Personal Area Networking Profile (PAN)^{1,2}
 Human Interface Device Profile (HID)^{1,2}
 FAX Profile (FAX)
 Basic Imaging Profile (BIP)²
 Headset Profile (HSP)
 Hands Free Profile (HFP)
 Advanced Audio Distribution Profile (A2DP)

*** Wireless access point and internet service required and sold separately. Availability of public wireless access points limited.**

AUDIO/MULTIMEDIA – HD audio with DTS Sound +

Audio Output Quality	Frequency Response	20 Hz - 20 kHz
	Signal to Noise Ratio	>85 dB
	Total Harmonic Distortion	0.01%
	Noise Floor	-110 dB
	Play/Record Sampling Rate(s)	8 kHz - 48kHz
	DAC	16, 20 or 24-bit
	ADC	16 or 20-bit

Integrated Stereo Speakers	Power Rating	500mW
	Impedance	4 ohm

POWER

HP 10W non-Smart AC Adapter	Dimensions	2.56 x 2.17 x 1.12 in (65.0 x 55.0 x 28.5 mm)		
	Input	Input	100 to 240 VAC	
		Input dPower Rating	< 15W	
	Output	Input frequency range	47 – 63 Hz	
		Input AC current	0.3A at 90 VAC	
		Voltage	9V +/- 4.0%	
		Constant power	11 W (maximum) continuously between DC output 9V – 6.5V	
		Hold-up time	5 msec at 115 VAC input	
		Output current limit	1.1A	
	Connector	3 pin/grounded, mates with interchangeable cords; 70 pin / tyco connector (to tablet side)		
	Environmental Design	Operating temperature	32° to 95° F (0° to 35° C)	
		Non-operating (storage) temperature	-4° to 185° F (-20° to 85° C)	

Technical Specifications

	Operating altitude	0 to 16,404 ft (0 to 5,000 m)
	Non-operating altitude	0 to 50,000 ft (0 to 15,240 m)
	Humidity	0% to 95%
	Storage Humidity	0% to 95%
EMI and Safety Certifications	CE Mark - full compliance with LVD and EMC directives; Worldwide safety standards - IEC60950, EN60950, UL60950, Class1, SELV; Agency approvals - C-UL-US, NORDICS, DENAN, EN55022 Class B, FCC Class B, CISPR22 Class B, CCC, NOM-1 NYCE	
HP 2-cell (30 WHr) Polymer Long Life Primary battery	Weight	0.17 kg
	Dimensions (H x W x L)	8.7 x 1.56 x 0.17 in (22.09 x 13.963 x 0.43 cm)
	Cells/Type	2-cell, Lithium Ion Polymer
	Energy	Voltage 7.4V Amp-hour capacity 4.2 Watt-hour capacity 30Wh
	Temperature	Operating (Charging) 32° to 113° F (0° to 45° C) Operating (Discharging) 14° to 140° F (-10° to 60° C) Non-operating -4° to 140° F (-20° to 60° C)
	Battery Re-Charge Time	System in OFF or Standby Mode depends on system setting System ON depends on system setting
	Fuel Gauge LED	No
	Warranty	36 months
	Optional Travel Battery Available	No

ENVIRONMENTAL DATA

MATERIAL USAGE

This product does not contain any of the following substances in excess of regulatory limits (for reference of these limits please refer to the HP General Specification of the Environment

http://www.hp.com/hpinfo/globalcitizenship/environment/supplychain/gen_specifications.html):

- Asbestos
- Certain Azo Colorants
- Certain Brominated Flame Retardants – may not be used as flame retardants in plastics
- Cadmium
- Chlorinated Hydrocarbons
- Chlorinated Paraffins
- Formaldehyde
- Halogenated Diphenyl Methanes
- Lead carbonates and sulfates
- Lead and Lead compounds
- Mercuric Oxide Batteries
- Ozone Depleting Substances
- Polybrominated Biphenyls (PBBs)

Technical Specifications

- Polybrominated Biphenyl Ethers (PBBEs)
- Polybrominated Biphenyl Oxides (PBBOs)
- Polychlorinated Biphenyl (PCB)
- Polychlorinated Terphenyls (PCT)
- Polyvinyl Chloride (PVC) – except for wires and cables, and certain retail packaging has been voluntarily removed from most applications.
- Radioactive Substances
- Tributyl Tin (TBT), Triphenyl Tin (TPT), Tributyl Tin Oxide (TBTO)
- Nickel finishes that release greater than 0.5 µgrams/cm²/week, measured according to EN 1811:1998, are not used on any product surface designed to be frequently handled or touched by users.

END-OF-LIFE MANAGEMENT AND RECYCLING

Eligible for recycling or cash back through HP's buyback and recycling program.*

<http://www.hp.com/go/smbrecycling> (10 units or less)

www.hp.com/go/businessrecycling (overview of all business related end of use programs)

Email recycling.quote@hp.com to get a quote or details on recycling programs

***Program may not be available in your area. Check <http://www.hp.com/go/recycling> to see if HP offers for recycling in your area.

The EU WEEE directive (2002/95/EC) requires manufacturers to provide treatment information for each product type for use by treatment facilities. This information (product disassembly instructions) is posted on the Hewlett Packard web site at:

<http://www.hp.com/go/recyclers>. These instructions may be used by recyclers and other WEEE treatment facilities as well as HP OEM customers who integrate and re-sell HP equipment.

HP INC. CORPORATE ENVIRONMENTAL INFORMATION

For more information about HP's commitment to the environment:

Global Citizenship Report

<http://www.hp.com/hpinfo/globalcitizenship/gcreport/index.html>

Environment website

<http://www.hp.com/environment>

Eco-label certifications

<http://www.hp.com/hpinfo/globalcitizenship/environment/productdesign/ecolabels.html>

ISO 14001 certificates:

<http://www.hp.com/hpinfo/globalcitizenship/environment/operations/envmanagement.html>

COUNTRY OF ORIGIN

China

Options and Accessories (sold separately and availability may vary by country)

Type	Description	Part #
Docking	HP ElitePad Mobile POS Charging Dock	G8C11AA
Input/Output	HP Executive Tablet Pen (G2)	F3G73AA
	HP ElitePad USB Adapter (USB 2.0)	H3N46AA
	HP ElitePad 3.0 Adapter	E8F98AA
	HP USB External DVDRW Drive	F2B56AA
	HP ElitePad Productivity Jacket	D6S54AA
	HP ElitePad Productivity Jacket (Americas)	D6S54UT
	HP ElitePad Productivity Jacket (EMEA)	D6S54ET
	HP ElitePad SD Card Reader	H3N48AA
	HP ElitePad Serial Adapter	H3N50AA
	HP Slim Bluetooth Keyboard	H4Q44AA
	HP Mini Wireless Keyboard (Mult-OS)	E5J21AA
	HP Ultra Mobile Wireless Mouse	H6F25AA
	HP X4000b Bluetooth Mouse	H3T50AA
	HP Slim Bluetooth Mouse	F3J92AA
Power	HP ElitePad 10 Watt AC Adapter	H4K08AA
	HP 65W Smart Adapter	ED49494AA
	HP ElitePad 40W AC Adapter	H5W93AA
	HP ElitePad Jacket Battery	H4F20AA
	HP ElitePad 12W USB Auto Adapter	F5V87AA
	HP ElitePad Smart AC Adapter	H3N47AA
	HP ElitePad USB Chrg 24Pk Cable	F5V88A6
Video	HP ElitePad HDMI & VGA Adapter	H3N45AA
Networking	HP ElitePad Ethernet Adapter	H3N49AA
	HP ElitePad Power/Ethernet Adapter	TBD
Charging Station	HP Multi-Tablet Charging Module	H4W98UT
Miscellaneous	HP Retail Jacket for ElitePad NoBattery	E6R78AA
	HP Retail Jacket for ElitePad w/Battery	E6R79AA

NOTE: For additional information and specifications for the HP ElitePad Accessories, please access the HP ElitePad Accessories QuickSpecs: http://h18004.www1.hp.com/products/quickspecs/14491_div/14491_div.html

Summary of Changes

Date of change:	Version History:		Description of change:
May 16, 2014	From v1 to v2	Added	
January 11, 2015	From v2 to v3	Changed	SKUs and Notes
March 1, 2016	From v3 to v4	Added	Windows 10 Pro, 64-bit, and Windows 10 IoT Enterprise Pro Retail, 64-bit and notes.

Copyright © 2014, 2016 HP Development Company, L.P.

Microsoft and Windows are U.S. trademarks of Microsoft Corporation. Intel and Atom are registered trademarks or trademarks of Intel Corporation in the U.S. and/or other countries. Bluetooth is a registered trademark of Bluetooth SIG, Inc., in the U.S. and other countries. Corning and Gorilla are registered trademarks of Corning in the U.S. and/or other countries. The information contained herein is subject to change without notice and is provided "as is" without warranty of any kind. The warranties for HP products are set forth in the express limited warranty statements accompanying such products. Nothing herein should be construed as constituting an additional warranty. HP shall not be liable for technical or editorial errors or omissions contained herein.