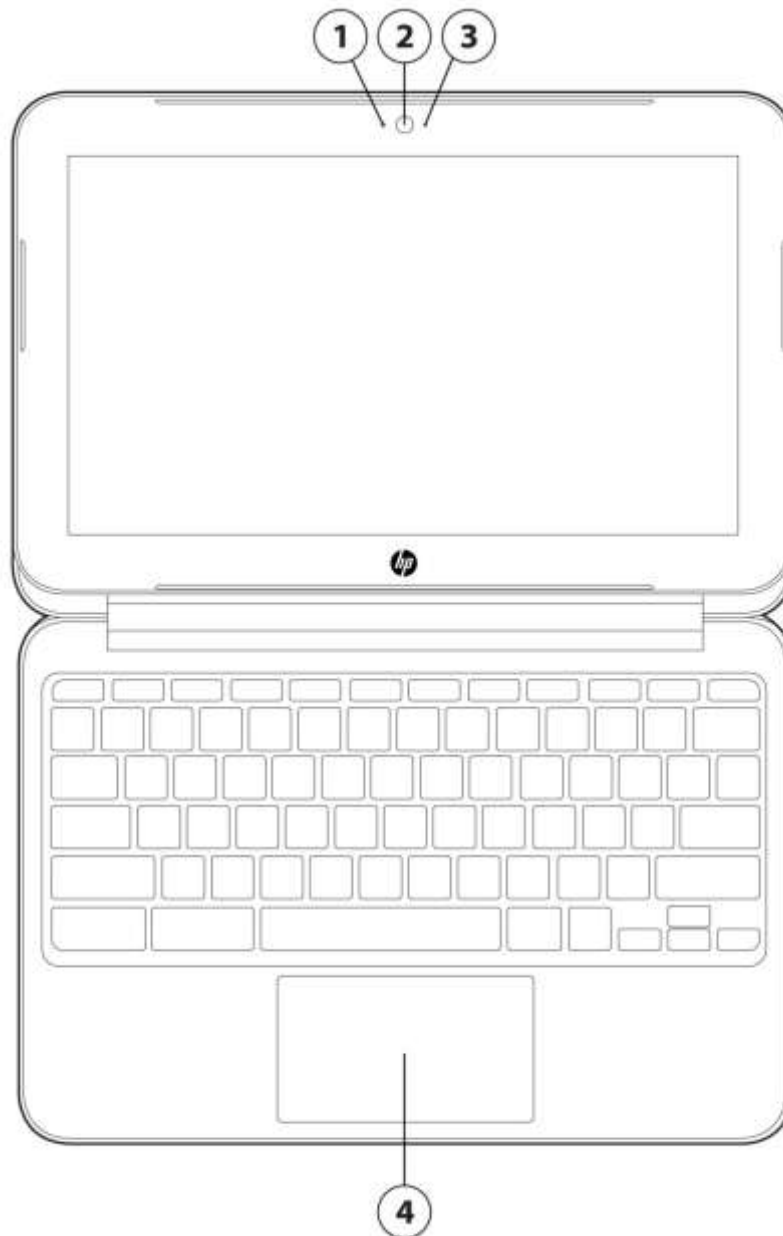


Overview

HP Chromebook 11 G2

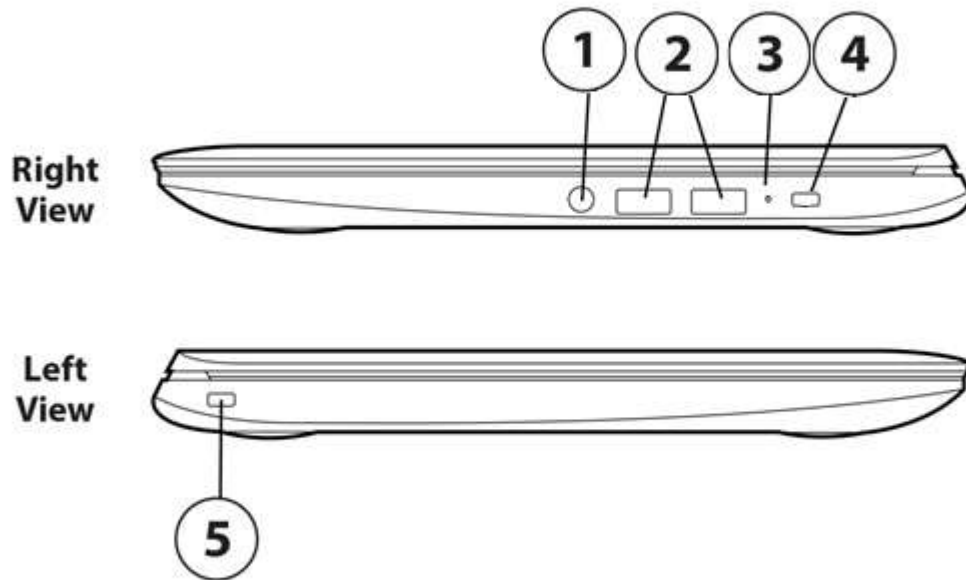


Front View

- | | |
|---------------------------|----------------|
| 1. Microphone | 3. Web cam LED |
| 2. Integrated VGA web cam | 4. TouchPad |



Overview



1. Headphone/Microphone combo jack
2. USB 2.0 Ports (2)
3. Power LED

4. Micro-USB AC
5. Security lock slot



Overview

AT A GLANCE

- Affordable, convenient mobile productivity, and one of the thinnest Chromebooks on the market.
- Work where you want with your sleek 11.6" diagonal HD WLED anti-glare display and 2.95 lb. (1.34 kg) Chromebook.
- Starting up is amazingly quick. Your Chromebook boots up within seconds and you can be browsing online and working in documents just moments later.
- Chromebooks come with your favorite Google products built-in so you can work, play and do whatever you want, right out of the box. And the growing Chrome Web Store offers thousands of free apps, themes, and extensions to help you make the most of your Chromebook - including ones customized for education and business environments.
- Enjoy your Chromebook experience even more with Bluetooth 4.0 connectivity to your keyboard and mouse
- Your own virtual hard drive is available anywhere the Internet is accessible. Store up to 100 GB of your files and content within Google Drive for two years free.
- Working on a Chromebook is fast, smooth and intuitive, whether you're writing a document, sending an email or browsing the internet. Chrome OS provides a maintenance-free experience with automatic software and security updates.
- Purchase with confidence with a limited 1-year warranty and 3-year extended service available with optional HP Care Pack Services.

NOTE: See important legal disclosures for all listed specs in their respective features sections.



Features

PRODUCT NAME

HP Chromebook 11 G2

OPERATING SYSTEM

Preinstalled Chrome OS 64-bit

PROCESSOR

Samsung Exynos 5250 Dual (1.7 GHz, 1 MB L2 cache, 2 cores*)

* Multi-Core is designed to improve performance of certain software products. Not all customers or software apps may benefit from use of this technology. 64-bit computing system required. Performance will vary depending on your hardware and software. Samsung's numbering is not a measurement of clock speed.

CHIPSET

Integrated in the ARM SoC

GRAPHICS

Integrated in the ARM SoC

DISPLAY

Internal

11.6" diagonal HD* WLED anti-glare (1366x768) flat (3.6mm) SVA, 200 nits, LVDS

External

Micro-USB port supports up to 1080p, 1920 x 1080 at 60Hz

* High definition (HD) content is required to view high-definition images.

NOTE: Resolutions are dependent upon monitor capability, and resolution and color depth settings.

STORAGE AND DRIVES

Solid State Drive

16 GB embedded Multi Media Card*

* 5.1GB of the eMMC are dedicated/allocated to the OS and OS partitions.

Cloud Storage

Store up to 100 GB with Google Drive (2-year subscription included)**



Features

** This offer is tied to this device and is non-transferable. If this device is returned, the extra storage will be revoked. In order to redeem this offer, internet access is required and not included. Additional information about storage plan refunds, renewals, cancellations and expiration is available at the Google website:

<https://support.google.com/chromebook/answer/2703646?hl=en>

MEMORY

Standard

DDR3L SDRAM (1600 MHz)

Standard memory 2048 MB (4 pcs of 256 MB x 16)

Supports 2 GB max on-board system memory

NETWORKING/COMMUNICATIONS

Wireless LAN (WLAN) *

802.11abgn (2x2) Wi-Fi + BT 4.0

* Wireless access point and internet service required and not included. Availability of public wireless access points limited.

AUDIO/MULTIMEDIA

Audio

Integrated Audio

Stereo speakers

Headphone Jack

Microphone

Web cam*

Integrated VGA web cam

- Supports videoconferencing and still image capture
- Improved quality for video streaming and still image capture (640 x 480 resolution)
- Fixed focus lens

* Internet access required and not included.

KEYBOARDS/POINTING DEVICES/BUTTONS & FUNCTION KEYS

Keyboard

Full-size, textured, white island-style keyboard, 19mm pitch, 1.4mm travel

Pointing Devices

Touchpad with multitouch gestures enabled

Buttons and Function Keys



Features

Power key, Search key, Browser key, Back, Forward, Refresh, Full Screen, Switch window

SOFTWARE AND SECURITY

Preinstalled Software

Chrome OS and its default set of apps

Security

TPM 1.2 Embedded Security Chip

Security lock slot

Sign-in with your Google credentials

POWER

Power Supply

3 Amp, 15.75W Micro-USB

Power cord included is 1.0 m

Primary Battery

3-cell (30 WHr) Lithium-Ion Polymer battery

Power Conservation

ENERGY STAR® qualified

WEIGHTS & DIMENSIONS

Weight

Starting at 2.95 lbs (1.34 kg)

Dimensions (w x d x h)

11.81 x 8.1 x 0.81 in

300 x 205.7 x 20.45 mm

NOTE: Height varies depending upon where on the notebook the measurement is made. Weight varies by configuration and components. Weight includes 3-cell battery, solid state drive, and 2 GB memory.

PORTS/SLOTS

Ports

Micro-USB AC – One

Headphone/Microphone combo jack – One

USB 2.0 – Two (right side)

Security lock slot (left side)



Features

SERVICE AND SUPPORT

HP Services offers limited 1-year warranty options depending on country; Limited 1-year warranty; 3-year extended service available with optional HP Care Pack Services^{*,**}, depending on country, 1-year limited warranty on primary battery. HP Care Pack Services^{*,**} extend service contracts beyond the standard warranties. To choose the right level of service for your HP product, use the HP Care Pack Services Lookup Tool at: hp.com/go/lookuptool. Additional HP Care Pack Services information by product is available at: hp.com/go/cpc.

* Sold separately or as an optional feature.

** Service levels and response times for HP Care Packs may vary depending on your geographic location. Service starts on date of hardware purchase. Restrictions and limitations apply. For details, visit hp.com/go/cpc.

NOTE: Certain restrictions and exclusions apply. Consult the HP Customer Support Center for details.
<http://h20000.www2.hp.com/bizsupport/TechSupport/ProductRoot.jsp>



Technical Specifications

SYSTEM UNIT

Temperature	Operating	41° to 95° F (5° to 40° C)
	Non-operating	-4° to 140° F (-20° to 60° C)
Relative Humidity	Operating	20% to 90% RH
	Non-operating	20% to 90%, 104° F (40° C) maximum wet bulb temperature
Shock	Operating	50 G, 3 ms, half-sine
	Non-operating	180 G, 2 ms, half-sine
Random Vibration	Operating	1 grms, frequency range 10-500Hz
	Non-operating	2.16 grms, frequency range 10-500Hz
Altitude (unpressurized)	Operating	-50 to 17,000 ft (-15.24 to 5,181.6 m)
	Non-operating	-50 to 20,000 ft (-15.24 to 6,096 m)
Planned Industry Standard Certifications	UL	Yes
	CSA	No
	FCC Compliance	Yes
	ENERGY STAR®	Yes*
	ICES	Yes
	CCC	No
	Japan VCCI Compliance	No
	KC	No
	CE Marking Compliance	Yes
	BNCI or BELUS	No
	CIT	No
	GOST	No
	Saudi Arabian Compliance (ICCP)	No
SABS	No	
UKRSERTCOMPUTER	No	

* Configurations of the HP Chromebook 11 G2 that are ENERGY STAR qualified are identified as HP Chromebook 11 G2 ENERGY STAR on HP websites and on energystar.gov.

For accessibility information on HP products, please visit: hp.com/accessibility.

DISPLAY

11.6-inch diagonal WLED HD (1366 x 768) Anti-glare (non-Touch)	Active Area	9.88 x 5.67 in (25.61 x 14.40 cm)	
	Dimensions (W x H)	11.53 x 6.49 in (29.3 x 16.5 cm)	
	Diagonal Size	11.6 in (29.46 cm)	
	Surface Treatment	Anti-glare	
	Contrast Ratio	300:1 (typical)	
	Refresh Rate	60 Hz	
	Brightness	200 nit (typical)	
	Pixel Resolution	Format	1366 x 768



Technical Specifications

Backlight	Configuration	RGB Stripe
Backlight	LED	

Note: All specifications represent the typical specifications provided by HP's component manufacturers; actual performance may vary either higher or lower.

STORAGE AND DRIVES

Internal Storage

16 GB embedded Multi Media Card	Drive Weight	Up to 2g
	Capacity	16 GB
	Height	Up to 16mm
	Width	Up to 12mm
	Interface	MultiMediaCard Bus
	Features	Embedded Multi Media Card v4.41 compliant, TRIM, Secure Erase, CMD5 support, Partition management, Enhanced Write Protection

AUDIO/MULTIMEDIA

Audio Hardware

Volume Controls	Keyboard and UI
Microphone In	Combo microphone/headphone jack
Headphone/Line Out	Combo microphone/headphone jack
Integrated Microphone	Yes

Integrated VGA Web cam

Supports videoconferencing and still image capture
Improved quality for video streaming and still image capture (640 x 480 resolution)
Fixed focus lens

POWER

3-Cell (30 WHr) Lithium-Ion battery

Dimensions (h x w x l)	5 x 77.3 x 269.2 mm	
Weight	157g	
Cells/Type	3/Li-ion	
Voltage	Nominal 11.1 V	
Energy Temperature	Watt-hour capacity	29.97 WHr
	Operating (Charging)	32° to 113° F (0° to 45° C)
	Operating (Discharging)	14° to 140° F (0° to 60° C)
	Non-operating	-4° to 140° F (-20° to 60° C)



Technical Specifications

**Battery
Re-Charge Time**

System in OFF or
Standby Mode
System ON

2.5 hours

3 to 5 hours (depending on system
power consumption)

COUNTRY OF ORIGIN

Made in China



Options and Accessories (sold separately and availability may vary by country)

Type	Description	Part #
Carrying Cases	HP Slim Ultrabook Messenger (up to 15.6" x .88"/22/5mm)	F3W14AA
	HP Slim Ultrabook Top Load (up to 15.6" x .88"/22/5mm)	F3W15AA
	HP Slim Ultrabook Backpack (up to 15.6" x .88"/22/5mm)	F3W16AA
Docking	HP Display and Notebook Stand II	E8G00AA#xxx
	HP Dual Hinge II Notebook Stand	E8F99AA#xxx
Input/Output	HP Touch To Pair Mouse	H6E52AA
	HP Stylish Wireless KB/Mouse	H4B79AA
	HP Slim BT Keyboard US	H4Q44AA#ABA
	HP Bluetooth® Keyboard	F3J73AA
Adapters	HP USB Ethernet Adapter	XZ613AA#ABA
Monitors	HP EliteDisplay E271i 27-inch IPS LED Monitor	D7Z72AA/A8/AS/AT
	HP EliteDisplay E231 23-inch LED Monitor	C9V75AA/A8/AS/AT
	HP EliteDisplay E201 20-inch LED Monitor	C9V73AA/A8/AS/AT
	HP ProDisplay P221 21.5" LED Monitor	C9E49AA/A8/AS/AT
	HP ProDisplay P201 20" LED Monitor	C9F26AA/A8/AS/AT

Copyright © 2014 Hewlett-Packard Development Company, L.P. The information contained herein is subject to change without notice. The only warranties for HP products are set forth in the express limited warranty statements accompanying such products. Nothing herein should be construed as constituting an additional warranty. HP shall not be liable for technical or editorial errors or omissions contained herein.

Bluetooth is a registered trademark of its proprietor and used by Hewlett-Packard Company under license. Google, Chrome browser, Chrome OS and Chromebook are trademarks and/or registered trademarks of Google Inc., in the U.S. and other countries.

