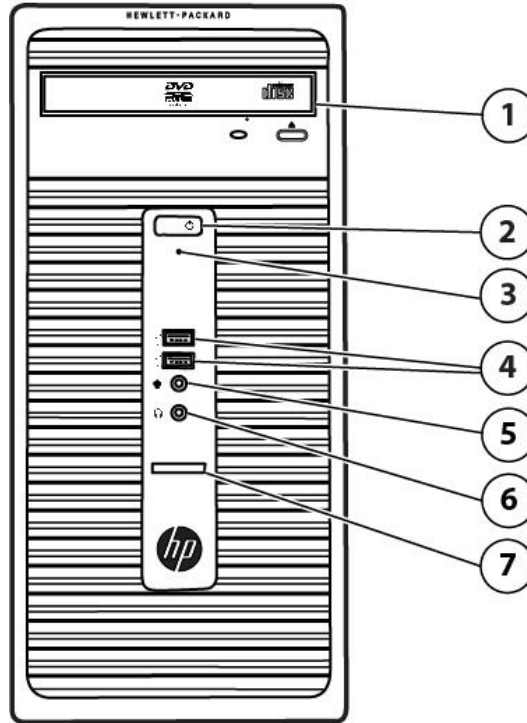


Overview

HP 280 G1 Microtower Business PC



Front

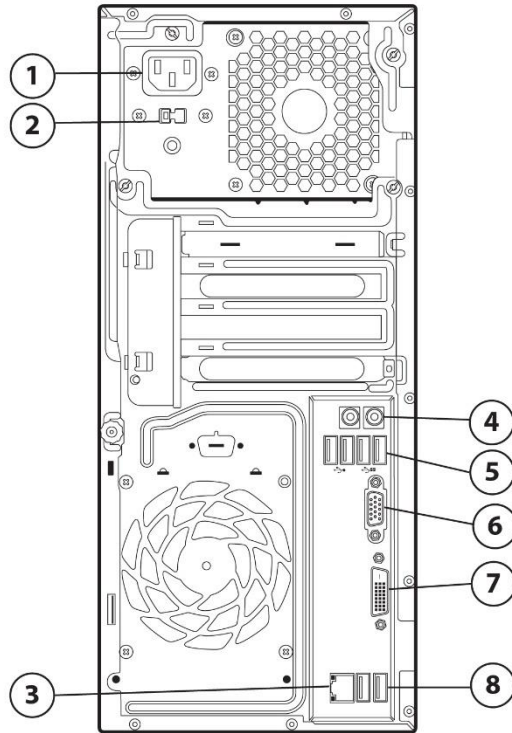
1. Half-height Bay - supporting an optical disk drive (optional)
2. Power Button
3. PC Status LED
4. (2) USB 2.0 Ports
5. 3.5mm Microphone Jack
6. 3.5mm Headphone Output
7. 6-in-1 Media Card Reader (optional)

Not Shown

- Slots
- (1) PCI Express x16 Graphics Connector
 - (1) PCI Express x1 Accessory Connector
- Bays
- (1) 3.5" internal storage drive bay
 - (1) 3.5" internal storage drive bay (optional)

Overview

HP 280 G1 Microtower Business PC



Back

- | | |
|---|---|
| 1. Power Cord Connector | 5. (2) USB 3.0 Ports; (2) USB 2.0 Ports |
| 2. Voltage Select Switch (included on some models only) | 6. VGA Monitor Connector |
| 3. RJ-45 Network Connector | 7. DVI-D Monitor Connector |
| 4. Audio Line Out; Audio Line In | 8. (2) USB 2.0 Ports |

Overview

AT A GLANCE

- Windows 8.1 Pro (64-bit), Windows 8.1 (32bit), Ubuntu Linux or FreeDOS 2.0
- Intel® H81 chipset supporting Intel® 4th generation Intel® processors featuring Intel® HD Graphics
- Supports an optional discrete graphics card
- Integrated 10/100/1000 Ethernet Controller
- Customer upgradable up to 16GB DDR3/DDR3L Unbuffered Memory (UDIMM)
- Independent monitor support via VGA and DVI-I video interfaces
- TPM 1.2 support
- High definition audio
- 8 USB ports (including 2-USB 3.0 ports)
- Energy efficient internal power supply available (select models only)
- Security cable lock supported (sold separately)
- Protected by HP Services; terms and conditions vary by country; certain restrictions and exclusions apply

NOTE: See important legal disclosures for all listed specs in their respective features sections.

Standard Features and Configurable Modules

CHIPSET

Intel® 8 Series (H81 Express) Chipset

PROCESSOR*

Intel® Celeron

Intel® Celeron® G1840 with Intel HD Graphics (2.8 GHz, 2 MB cache, 2 cores)

Intel® Pentium

Intel® Pentium® G3250 with Intel HD Graphics (3.2 GHz, 3 MB cache, 2 cores)

Intel® Core i3

Intel® Core™ i3-4150 with Intel HD Graphics 4400 (3.5 GHz, 3 MB cache, 2 cores)

*. Multi-Core is designed to improve performance of certain software products. Not all customers or software applications will necessarily benefit from use of this technology. 64-bit computing system required. Performance will vary depending on your hardware and software configurations. Intel's numbering is not a measurement of higher performance.

GRAPHICS

Integrated

Intel Integrated HD Graphics or HD Graphics 4400 Varies by Processor

Discrete

NVIDIA GeForce 705 1GB DDR3 FH GFX 30W (optional)

NOTE: HD content required to view HD images.

MEMORY*

Both slots are customer accessible / upgradeable, Supports Dual Channel Memory

Form Factor	Type	Maximum	# of Slots
Microtower	1600MHz DDR3	16 GB	2 UDIMM

HP Configured Memory Options

2GB DDR3-1600 UDIMM (1x2GB)

4GB DDR3-1600 UDIMM (1x4GB)

6GB DDR3-1600 UDIMM (1x2GB + 1x4GB) (Dual Channel)

8GB DDR3-1600 UDIMM (2x4GB) (Dual Channel)

* Full availability of 4 GB or more of memory requires a 64-bit operating system. With Windows 32-bit operating systems, the amount of usable memory is dependent upon your configuration, so that above 3 GB all memory may not be available due to system resource requirements. Memory modules support data transfer rates up to 1600 MT/s; actual data rate is determined by the system's configured processor. See processor specifications for supported memory data rate.

STORAGE*

Supports SATA 3.5" 6Gb/s HDDs*

500GB 7200 RPM SATA Hard Disk Drive

1TB 7200 RPM SATA Hard Disk Drive

Removable

Standard Features and Configurable Modules

HP 6-in-1 Media Card Reader (optional)

*For hard drives and solid state drives, GB = 1 billion bytes. Actual formatted capacity is less. Up to 16 GB (for Windows 7) and 30 GB (for Windows 8.1) of system disk is reserved for the system recovery software.

***NOTE:** For hard drives and solid state drives, GB = 1 billion bytes. TB = 1 trillion bytes. Actual formatted capacity is less. Up to 16 GB (for Windows 7) and 36 GB (for Windows 8.1/10) of system disk is reserved for the system recovery software.

FIXED OPTICAL DRIVES*

SuperMulti DVD-RW Drive

DVD-ROM

*Optical drives are optional or add on features. Duplication of copyrighted material is strictly prohibited. Actual speeds may vary. Double Layer media compatibility will widely vary with some home DVD players and DVD-ROM drives. Note that DVD-RAM cannot read or write to 2.6GB Single Sided/5.2 Double Sided-Version 1.0 Media.

AUDIO/MULTIMEDIA

Integrated Realtek ALC221 High Definition audio (all ports are stereo)

Microphone and Headphone front ports (3.5mm)

Line-out and Line-in rear port (3.5mm)

Standard internal speaker

NETWORKING

Ethernet (RJ-45)

Integrated 10/100/1000M Gigabit Ethernet Controller

Wireless*

HP 802.11a/g/n 2x2 Wireless Dual Band PCIe (optional)

* Wireless cards are optional or add-on features and requires separately purchased wireless access point and internet service. Availability of public wireless access points limited.

PORTS

Front I/O Ports

Two (2) USB 2.0 ports

One (1) Microphone in

One (1) Headphone out

Rear I/O Ports

Four (4) USB 2.0 ports

Two (2) USB 3.0 ports

One (1) RJ45 network connection

One (1) Audio Line out

One (1) Audio Line in

One (1) VGA

One (1) DVI-D

Internal I/O Ports

Standard Features and Configurable Modules

One (1) PCIe x 16

One (1) PCIe x 1

BAYS

One (1) 1st 3.5" Hard Disc Drive Bay

One (1) 2nd 3.5" Hard Disc Drive Bay (optional)

One (1) 5.25" Optical Disc Drive Bay

KEYBOARDS AND POINTING DEVICES*

Universal USB Wired Optical Mouse

HP USB Mouse

*Keyboards and mouse are optional or add-on features.

SERVICE AND SUPPORT

On-site Warranty: One-year (1-1-1) limited warranty delivers one year of on-site, next business day² service for parts and labor and includes free telephone support 24 x 7. One-year onsite and labor are not available in all countries. Service offers terms up to 3 years by choosing an optional HP Care Pack. To choose the right level of service for your HP product, visit HP Care Pack Central: www.hp.com/go/cpc

NOTE 1: Terms and conditions may vary by country. Certain restrictions and exclusions apply. Other warranty variations may be offered in your region.

NOTE 2: On-site service may be provided pursuant to a service contract between HP and an authorized HP third-party provider, and is not available in certain countries. Global service response times are based on commercially reasonable best effort and may vary by country.

NOTE 3: Technical telephone support applies only to HP-configured and third-party HP qualified hardware and software. Toll-free calling and 24 x 7 support may not be available in some countries.

Operating Systems & Software

OPERATING SYSTEMS

Preinstalled (Windows)

Windows 10 Pro 64*
Windows 10 Home 64*
Windows 8.1 Pro 64*
Windows 8.1 64*
Windows 7 Professional 64 (available through downgrade rights from Windows 10 Pro)**
Windows 7 Professional 32 (available through downgrade rights from Windows 10 Pro)**
Windows 7 Professional 64 (available through downgrade rights from Windows 8.1 Pro)***
Windows 7 Professional 32 (available through downgrade rights from Windows 8.1 Pro)***
Windows 7 Professional 64*
Windows 7 Professional 32*
Windows 7 Home Basic 32*

Pre-installed (Other)

FreeDOS 2.0
Novell SUSE Linux Enterprise Desktop 11

Web-supported

Windows 10 Pro 64*
Windows 10 Home 64*
Windows 8.1 Pro 64*
Windows 8.1 64*
Windows 7 Professional 64 (available through downgrade rights from Windows 10 Pro)**
Windows 7 Professional 32 (available through downgrade rights from Windows 10 Pro)**
Windows 7 Professional 64 (available through downgrade rights from Windows 8.1 Pro)***
Windows 7 Professional 32 (available through downgrade rights from Windows 8.1 Pro)***
Windows 7 Professional 64*
Windows 7 Professional 32*

Windows 7 Home Basic 32*

*Note: Not all features are available in all editions or versions of Windows. Systems may require upgraded and/or separately purchased hardware, drivers, software or BIOS update to take full advantage of Windows functionality. Windows 10 is automatically updated, which is always enabled. ISP fees may apply and additional requirements may apply over time for updates. See <http://www.microsoft.com>.

**This system is preinstalled with Windows 7 Pro software and also comes with a license and media for Windows 10 Pro software. You may only use one version of the Windows software at a time. Switching between versions will require you to uninstall one version and install the other version. You must back up all data (files, photos, etc.) before uninstalling and installing operating systems to avoid loss of your data.

***This system is preinstalled with Windows 7 Pro software and also comes with a license and media for Windows 8.1 Pro software. You may only use one version of the Windows software at a time. Switching between versions will require you to uninstall one version and install the other version. You must back up all data (files, photos, etc.) before uninstalling and installing operating systems to avoid loss of your data.

SOFTWARE

Preinstalled (varies by country)

Browser and Toolbars

- Internet Explorer 11

Optical Disc Drive Read/Write

- CyberLink PowerDVD

Operating Systems & Software

- CyberLink Power2Go

Utilities and Support

- HP Recovery Manager
- HP Support Assistant
- HP ePrint (driver)¹

1. Requires an Internet connection to HP web-enabled printer and HP ePrint account registration (for a list of eligible printers, supported documents and image types and other HP ePrint details, see www.hp.com/go/businessmobileprinting)

Technical Specifications

UNIT ENVIRONMENT AND OPERATING CONDITIONS

General Unit Operating Guidelines

- Keep the computer away from excessive moisture, direct moisture and the extremes of heat and cold, to ensure that unit is operated within the specified operating range.
- Leave a 10.2 cm (4 in) clearance on all vented sides of the computer to permit the required airflow.
- Never restrict airflow into the computer by blocking any vents or air intakes.
- Do not stack computers on top of each other or place computers so near each other that they are subject to each other's re-circulated or preheated air.
- Occasionally clean the air vents on the front, back, and any other vented side of the computer. Lint, dust and other foreign matter can block the vents and limit the airflow.
- If the computer is to be operated within a separate enclosure, intake and exhaust ventilation must be provided on the enclosure, and the same operating guidelines listed above will still apply.

Temperature Range	Operating: 50° to 95° F (10° to 35° C)* Non-operating: -22° to 140° F (-30° to 60° C)
Relative Humidity	Operating: 10% to 90% (non-condensing at ambient) Non-operating: 5% to 95% (non-condensing at ambient)
Maximum Altitude (unpressurized)	Operating: 10,000 ft (3048 m) Non-operating: 30,000 ft (9144 m)

* Operating temperature is de-rated 1.0 deg C per 300 m (1000 ft) to 3000 m (10,000 ft) above sea level, no direct sustained sunlight. Maximum rate of change is 10 deg C/Hr. The upper limit may be limited by the type and number of options installed.

POWER SUPPLY

180 W standard efficiency; 180 W standard efficiency,

WEIGHTS & DIMENSIONS (configured with 1 HDD and 1 ODD)

Chassis (H x W x D)	14.13 x 6.5 x 13.98 in 35.88 x 16.5 x 35.5 cm
System Weight	15.51 lbs / 7.05 kg

PACKAGING DIMENSIONS AND WEIGHT

Dimensions	19.5 x 10.1 x 20.5 in 4.96 x 2.40 x 5.20 cm
Weight	21 lbs / 9.5 kg

CERTIFICATIONS

EPEAT® Silver*
CECP (for 2015 cycle)
SEPA (for 2015 cycle)
WEEE (Waste, Electric and electronic equipment)
ENERGY STAR® 6.0
CEL level1
FCC
UL

Technical Specifications

*EPEAT® registered where applicable/supported. EPEAT registration varies by country. See www.epeat.net for registration status by country.

© Copyright 2014 - 2015 Hewlett-Packard Development Company, L.P. All rights reserved.

The information contained herein is subject to change without notice. The only warranties for HP products and services are set forth in the express warranty statements accompanying such products and services. Nothing herein should be construed as constituting an additional warranty. HP shall not be liable for technical or editorial errors or omissions contained herein.

Bluetooth is a trademark of its proprietor used by Hewlett-Packard Company under license. Intel and Core are trademarks of Intel Corporation in the U.S. and other countries. Microsoft and Windows are U.S. registered trademarks of the Microsoft group of companies. ENERGY STAR is a registered mark owned by the U.S. government.

