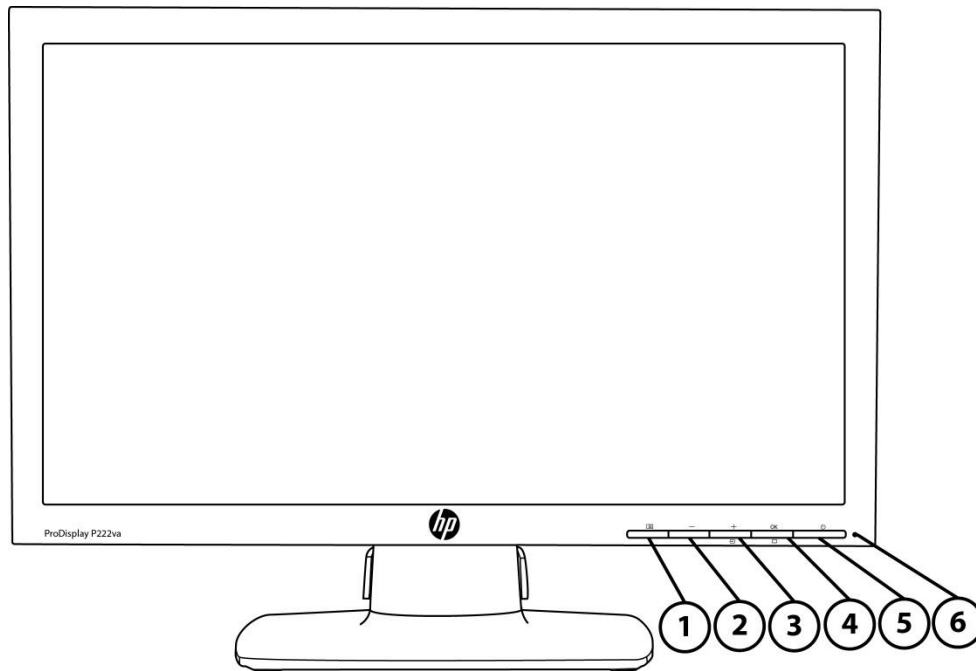


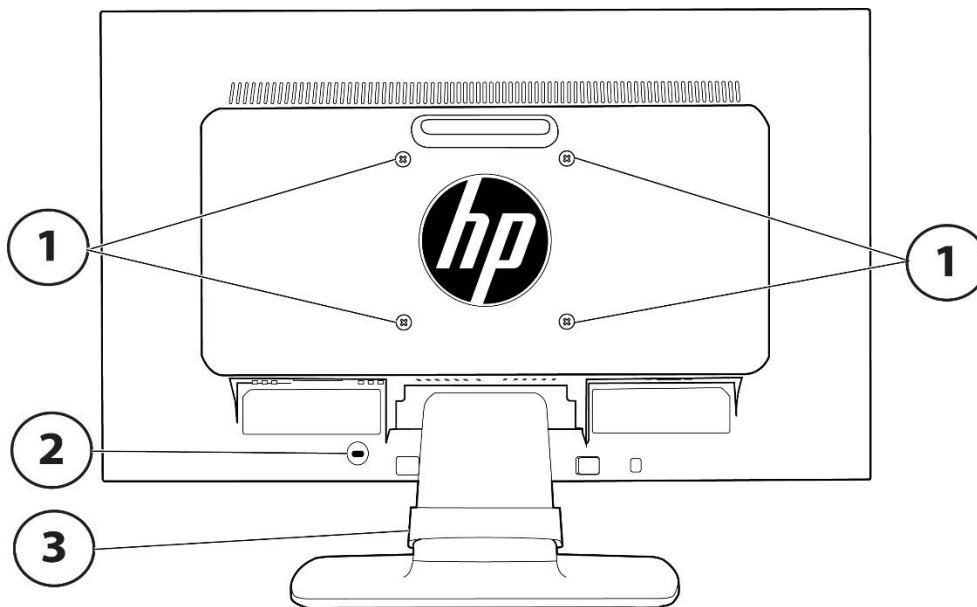
### Overview

### HP ProDisplay P222va 21.5-inch Monitor



- 1. Menu button
- 2. Minus ("-")
- 3. Plus ("+") / Input Control

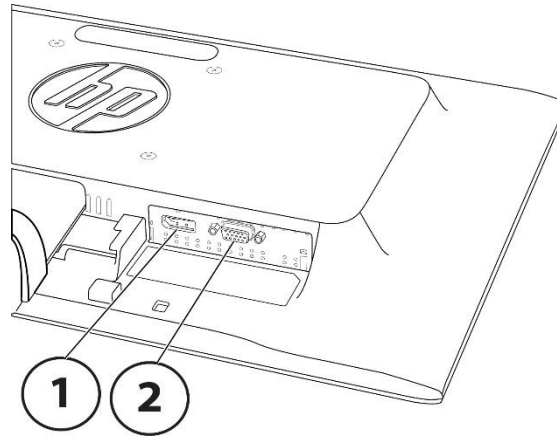
- 4. OK/Auto,
- 5. Power button
- 6. Power indicator LED



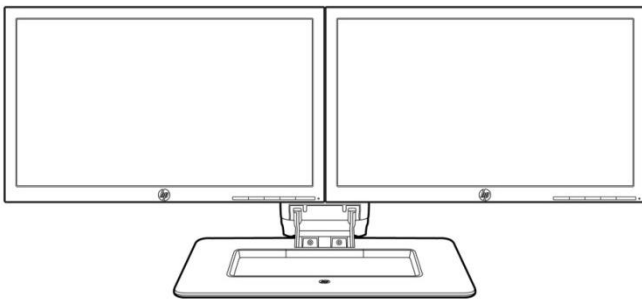
- 1. VESA mounting holes
- 2. Security lock slot

- 3. Cable routing clip  
(stand not included on head only model)

### Overview



1. DisplayPort v 1.2
2. VGA



HP ProDisplay P222va and HP Adjustable Dual Display Stand dual monitor configuration shown. (Note: monitors and stands sold separately)

Your ideal office configuration begins with two HP ProDisplay P222va monitors combined with an HP Adjustable Dual Display Stand (AW664AA) for a small footprint, high productivity work solution.\*

\*NOTE: Multi-monitor support is dependent on your system. Check your user guide or technical specifications for compatibility. Optional accessories may be required.

### Overview

Put your HP Pro PC content front and center on an ample 21.5-inch diagonal display with the HP ProDisplay P222va Monitor.

### Key features:

- Share your content in crisp, clear color on the 21.5-inch diagonal screen with 1920 x 1080 resolution, and 3000:1 contrast ratio.<sup>1</sup>
- Experience stunning FHD picture quality, ultra-fast graphics refresh, and vivid colors with DisplayPort.
- Attach your HP PC or select HP Thin Client directly behind the display.<sup>2</sup>
- Reduce power consumption and help lower your costs with an energy-efficient design.
- Free up valuable desk space with mounting options<sup>3</sup> enabled by the 100-mm VESA pattern, or select the head-only model<sup>3</sup> if you don't need a stand.
- Customize a total solution with options<sup>3</sup> designed for your display.
- Design the screen for how you work with HP Display Assistant software.
- Get award-winning service and support by phone or online.

### *Overview*

- 1 All performance specifications represent the typical specifications provided by HP's component manufacturers; actual performance may vary either higher or lower.
- 2 Requires HP Quick Release, sold separately. See product QuickSpecs for exact PC and thin client compatibility.
- 3 Each accessory sold separately. Mounting hardware sold separately. Head only model sold separately and availability varies by region.

### Environmental Data

**Models:** K7X30AA - HP ProDisplay P222va 21.5-inch Monitor  
L5U12AA - HP ProDisplay P222va 21.5-inch Monitor Head Only

<b>Panel</b>	<b>Type</b>	21.5-inch VA w/LED backlight
	<b>Viewable Image Area (diagonal)</b>	<b>54,61 cm</b> (21.5-inch) widescreen; diagonally measured
	<b>Panel Active Area (W × H)</b>	<b>47,6 x 26,7 cm</b> (18.74 × 10.51 in)
	<b>Resolution</b>	1920 x 1080 @ 60 Hz
	<b>Aspect Ratio</b>	16:9
	<b>Viewing Angle</b>	Up to 178° horizontal/178° vertical typical
	<b>Brightness</b>	250 cd/m <sup>2</sup>
	<b>Contrast Ratio (Typical)</b>	3000:1 Static
	<b>Response Time (Typical):*</b>	8 ms gray to gray
	<b>Pixel Pitch</b>	.248 mm
	<b>Pixels Per Inch (PPI)</b>	102.4 DPI
	<b>Backlight Lamp Life (to half brightness)</b>	30,000 hours minimum
	<b>Color Support</b>	Up to 16.7 million colors with the use of FRC technology
	<b>Color Gamut (Typical)</b>	72%

\* Performance specifications represent the typical specifications provided by HP's component manufacturers; actual performance may vary either higher or lower.

<b>User Controls</b>	<b>Buttons or Switches</b>	Menu, Minus ("-"), Plus ("+") /Input Control, OK/Auto, Power
	<b>Languages</b>	10 (English, Spanish, German, French, Italian, Netherlands, Portuguese, Japanese, T-Chinese and S-Chinese)
	<b>On Screen Display (OSD) User Controls</b>	Brightness, Contrast, Input Control, Color Control, Image Control, Power Control ,OSD control, Management, Language, Information, Exit
	<b>User Programmable Modes</b>	Yes, 10
	<b>Audio Controls</b>	N/A
<b>Signal Interface/ Performance</b>	<b>Horizontal Frequency</b>	24-80 kHz
	<b>Vertical Frequency</b>	50-60 Hz
	<b>Native Resolution</b>	1920 x 1080 @ 60 Hz
	<b>Preset Graphic Modes (non-interlaced)</b>	640 x 480 @ 60Hz

### Environmental Data

800 x 600 @ 60Hz  
 1024 x 768 @ 60Hz  
 1280 x 720 @ 60Hz  
 1280 x 800 @ 60Hz  
 1280 x 1024 @ 60Hz  
 1440 x 900 @ 60Hz  
 1600 x 900 @ 60Hz  
 1680 x 1050 @ 60Hz  
 1920 x 1080 @ 60Hz

<b>Video/Other Inputs</b>	<b>Anti-Glare</b>	Yes
	<b>Plug and Play</b>	Yes
	<b>Input Connectors</b>	(1) DisplayPort 1.2, (1) VGA HDCP support on DisplayPort
	<b>USB</b>	N/A
<b>Multimedia</b>	<b>Video Cables Included</b>	(1) DisplayPort <b>1,8 m</b> (5.9 ft) (1) VGA <b>1,8 m</b> (5.9 ft)
	<b>Audio</b>	N/A
<b>Power</b>	<b>Speakers</b>	N/A
	<b>Power Supply</b>	Internal
	<b>Input Power</b>	100 - 240 VAC 50/60 Hz
	<b>Maximum Power</b>	28 W
	<b>Typical Power</b>	24 W
	<b>Sleep Power</b>	0.5 W
	<b>Power Cable Length</b>	<b>1,9 m</b> (6.2 ft)

Item	Condition	Spec	Measure
<b>Inrush Current</b>	120VAC	< 30 A	23.3A
	220VAC	< 50 A	43.8A
<b>Leakage Current</b>	264VAC	< 3.0 mA	0.2mA
	120VAC		0.082mA
<b>Quiescent Current (Monitor receive current or operate current)</b>	264VAC	< 0.5A	0.23A
	220VAC		0.26A
	120VAC		0.43A

<b>Mechanical</b>	<b>Dimensions</b>	<b>Unpacked w/stand</b>	<b>51,8 x 18,66 x 37,92 cm</b>
	(W x D x H)	(highest setting)	(20.39 x 7.35 x 14.93 in)
		<b>Unpacked w/o stand</b>	<b>51,8 x 4,75 x 31,52 cm</b>
		(head only)	(20.39 x 1.87 x 12.41 in)

### Environmental Data

		<b>Packaged</b>	<b>58,9 x 13,2 x 40,9 cm</b> (23.19 x 5.20 x 16.10 in)
	<b>Weight</b>	<b>Head Only</b>	<b>2,94 kg</b> (6.48 lb)
		<b>Unpacked with stand</b>	<b>3,61 kg</b> (7.95 lb)
		<b>Packaged</b>	<b>4,9 kg</b> (10.79 lb)
<b>Ergonomic Features</b> <b>- Not available on head only model</b>	<b>Detachable Stand</b>	Yes, ships detached*	
		*Not included with head only model	
	<b>Height Adjustment</b>	N/A	
	<b>Tilt Range</b>	-5° to + 22° vertical	
	<b>Swivel</b>	N/A	
	<b>Pivot</b>	N/A	
<b>Environmental</b>	<b>Temperature - Operating</b>	<b>5° to 35° C</b> (41° to 95° F)	
	<b>Temperature - Non-operating</b>	<b>-20° to 60° C</b> (-4° to 140° F)	
	<b>Humidity - Operating</b>	20% to 80% non-condensing	
	<b>Humidity - Non-operating</b>	5% to 95%, 38.7° C max wet-bulb	
	<b>Altitude - Operating</b>	<b>0 to 5,000 m</b> (0 to 16,404 ft)	
	<b>Altitude - Non-operating</b>	<b>0 to 12,192 m</b> (0 to 40,000 ft)	
	<b>White LED Backlights</b>	Yes	
	<b>CCFL Panel</b>	No	
	<b>Arsenic-Free Display Glass</b>	Yes	
	<b>Low Halogen<sup>1</sup></b>	Yes (except cables)	
	<b>Mercury-Free Display Backlighting</b>	Yes	
<b>Options</b>	<b>HP LCD Speaker Bar</b> —Part number NQ576AA	Powered directly by the connected PC, the Speaker Bar seamlessly attaches to the monitor's lower bezel to bring full audio support to select HP flat panel monitors. Features include dual speakers with full sound range and dual external headphone jacks. Sold separately. For more information, refer to the product's QuickSpecs.	
	<b>HP Adjustable Dual Display Stand</b> —Part Number AW664AA	Premium space-saving dual screen solution provides access to more monitor real estate and makes it possible to manage multiple applications simultaneously. Weight adjustable for dual monitors from 17-24". Rotate displays into portrait/landscape positions.	

### Environmental Data

	<b>HP Integrated Work Center for Desktop Mini and Thin Client</b> —Part Number G1V61AA	Make the most of small work spaces with an HP IWC Desktop Mini/Thin Client that lets you create a compact desktop solution by combining a compatible display up to 24 diagonal inches with your choice of compatible platform to give you convenient front access to all of its inputs.
	<b>HP DisplayPort Cable Kit</b> —Part number VN567AA	Connects a DisplayPort connector on an HP Business Desktop computer to a DisplayPort connector on a monitor
	<b>HP LCD Monitor Quick Release</b> —Part number EM870AA <sup>4</sup>	An easy-to-use, VESA-compliant, LCD monitor mounting solution that allows you to quickly and securely attach an LCD monitor to a variety of stands, brackets, arms or wall mounts. For more information, refer to this product's QuickSpecs document.
	<b>HP Business PC Security Lock Kit</b> —Part number PV606AA	Attaches to the rear of the PC with a six-foot steel cable that can be used to secure a PC or peripherals such as mice, keyboards, monitors or USB security devices to protect them against unauthorized removal by physically connecting the system to an anchor point.
<b>What's in the box?</b>	<b>Monitor and Accessories Documentation</b>	HP ProDisplay P222va 21.5-inch Monitor, AC power cord (1.9m) 6.2 ft, DisplayPort cable (1.8m) VGA cable (1.8m) 5.9 ft CD (includes user guide, warranty, drivers)
	<b>Software</b>	HP Display Assistant
<b>Other</b>	<b>User Guide Languages</b>	English, Arabic, S. Chinese, T. Chinese, Czech, Danish, Dutch, Finnish, French, German, Greek, Hungarian, Italian, Japanese, Kazakh, Korean, Norwegian, Polish, Brazilian Portuguese, Russian, Slovenian, Spanish, Swedish and Turkish.
	<b>Warranty Languages</b>	English, Arabic, S. Chinese, T. Chinese, Czech, Danish, Dutch, Finnish, French, German, Greek, Hungarian, Italian, Japanese, Kazakh, Korean, Norwegian, Polish, Brazilian Portuguese, Russian, Slovenian, Spanish, Swedish and Turkish.
	<b>Color</b>	Black
	<b>VESA Mounting</b>	100 mm VESA mount
	<b>Security Lock-Ready</b>	Yes
	<b>Country of Origin</b>	China
<b>Certification and Compliance</b>	TCO Certified, CEL Grade 1, Microsoft WHQL Certification (Windows 8.1 and Windows 7), ENERGY STAR® Qualified, EPEAT® Gold <sup>2</sup> , CE, CB, KC, KCC, NOM, PSB, ICE, TUV-S, CCC, CEL, CECP, SEPA, EPA, ISC, VCCI, FCC, Taiwan: BMSI	
<b>Compatibility</b>	Compatible with platforms using the VESA standard video modes. Recommended for use with HP products.	
<b>Service and Warranty</b>	Protected by HP, including a 3 year standard limited warranty. Optional HP Care Pack Services are extended service contracts that extend your protection beyond the standard warranties. <sup>3</sup>	

### Environmental Data

<b>Eco-Label Certifications &amp; declarations</b>	This product has received or is in the process of being certified to the following approvals and may be labeled with one or more of these marks: <ul style="list-style-type: none"> <li>• IT ECO declaration</li> <li>• US ENERGY STAR®</li> <li>• TCO 6.0</li> <li>• EPEAT® &lt;Gold&gt; registered in the United States. See <a href="http://www.epeat.net">http://www.epeat.net</a> for registration status in your country</li> </ul>		
<b>Energy Consumption (in accordance with US ENERGY STAR® test method)</b>	<b>115VAC, 60Hz</b>	<b>230VAC, 50Hz</b>	<b>100VAC, 60Hz</b>
Normal Operation	15 W	15 W	15.1 W
Sleep	0.3 W	0.3 W	0.3 W
Off	0.1 W	0.2 W	0.1 W
<b>Heat Dissipation*</b>	<b>115VAC, 60Hz</b>	<b>230VAC, 50Hz</b>	<b>100VAC, 60Hz</b>
Normal Operation	51 BTU/hr	51 BTU/hr	52 BTU/hr
Sleep	1 BTU/hr	1 BTU/hr	1 BTU/hr
Off	1 BTU/hr	1 BTU/hr	1 BTU/hr
	*NOTE: Heat dissipation is calculated based on the measured watts, assuming the service level is attained for one hour.		
<b>Additional Information</b>	<ul style="list-style-type: none"> <li>• This product is in compliance with the Restrictions of Hazardous Substances (RoHS) directive - 2002/95/EC.</li> <li>• This HP product is designed to comply with the Waste Electrical and Electronic Equipment (WEEE) Directive – 2002/96/EC.</li> <li>• This product is in compliance with California Proposition 65 (State of California; Safe Drinking Water and Toxic Enforcement Act of 1986).</li> <li>• This product is in compliance with the IEEE 1680 (EPEAT) standard at the Gold level, see <a href="http://www.epeat.net">www.epeat.net</a></li> <li>• Plastics parts weighing over 25 grams used in the product are marked per ISO 11469 and ISO1043.</li> <li>• This product contains 16.8 % post-consumer recycled plastic (by wt.)</li> <li>• This product is 97.9 % recycle-able when properly disposed of at end of life.</li> </ul>		
<b>Packaging Materials</b>	<b>External:</b>	PAPER/Corrugated	646.4 g
	<b>Internal:</b>	PLASTIC/EPE-Expanded Polyethylene	21.7 g
		PLASTIC/EPS (Expanded Polystyrene)	207.6 g
		PLASTIC/Other plastics unknown	3.8 g
<b>RoHS Compliance</b>	Hewlett-Packard is committed to compliance with all applicable environmental laws and regulations, including the European Union Restriction of Hazardous Substances (RoHS) Directive. HP's goal is to exceed compliance obligations by meeting the requirements of the RoHS Directive on a worldwide basis. By July 1, 2006, RoHS substances will be virtually eliminated (virtually = to levels below legal limits) for all HP electronic products subject to the		



### Environmental Data

	<p>RoHS Directive, except where it is widely recognized that there is no technically feasible alternative (as indicated by an exemption under the EU RoHS Directive).</p>
<p><b>Material Usage</b></p>	<p>This product does not contain any of the following substances in excess of regulatory limits (refer to the HP General Specification for the Environment at <a href="http://www.hp.com/hpinfo/globalcitizenship/environment/pdf/gse.pdf">http://www.hp.com/hpinfo/globalcitizenship/environment/pdf/gse.pdf</a>):</p> <ul style="list-style-type: none"> <li>• Asbestos</li> <li>• Certain Azo Colorants</li> <li>• Certain Brominated Flame Retardants – may not be used as flame retardants in plastics</li> <li>• Cadmium</li> <li>• Chlorinated Hydrocarbons</li> <li>• Chlorinated Paraffins</li> <li>• Formaldehyde</li> <li>• Halogenated Diphenyl Methanes</li> <li>• Lead carbonates and sulfates</li> <li>• Lead and Lead compounds</li> <li>• Mercuric Oxide Batteries</li> <li>• Nickel – finishes must not be used on the external surface designed to be frequently handled or carried by the user.</li> <li>• Ozone Depleting Substances</li> <li>• Polybrominated Biphenyls (PBBs)</li> <li>• Polybrominated Biphenyl Ethers (PBBEs)</li> <li>• Polybrominated Biphenyl Oxides (PBBOs)</li> <li>• Polychlorinated Biphenyl (PCB)</li> <li>• Polychlorinated Terphenyls (PCT)</li> <li>• Polyvinyl Chloride (PVC) – except for wires and cables, and certain retail packaging has been voluntarily removed from most applications.</li> <li>• Radioactive Substances</li> <li>• Tributyl Tin (TBT), Triphenyl Tin (TPT), Tributyl Tin Oxide (TBTO)</li> </ul>
<p><b>Packaging</b></p>	<p>HP follows these guidelines to decrease the environmental impact of product packaging:</p> <ul style="list-style-type: none"> <li>• Eliminate the use of heavy metals such as lead, chromium, mercury and cadmium in packaging materials.</li> <li>• Eliminate the use of ozone-depleting substances (ODS) in packaging materials.</li> <li>• Design packaging materials for ease of disassembly.</li> <li>• Maximize the use of post-consumer recycled content materials in packaging materials.</li> <li>• Use readily recyclable packaging materials such as paper and corrugated materials.</li> <li>• Reduce size and weight of packages to improve transportation fuel efficiency.</li> <li>• Plastic packaging materials are marked according to ISO 11469 and DIN 6120 standards.</li> </ul>

### Environmental Data

<b>End-of-life Management and Recycling</b>	<p>Hewlett-Packard offers end-of-life HP product return and recycling programs in many geographic areas. To recycle your product, please go to: <a href="http://www.hp.com/go/reuse-recycle">http://www.hp.com/go/reuse-recycle</a> or contact your nearest HP sales office. Products returned to HP will be recycled, recovered or disposed of in a responsible manner.</p> <p>The EU WEEE directive (2002/95/EC) requires manufacturers to provide treatment information for each product type for use by treatment facilities. This information (product disassembly instructions) is posted on the Hewlett Packard web site at: <a href="http://www.hp.com/go/recyclers">http://www.hp.com/go/recyclers</a>. These instructions may be used by recyclers and other WEEE treatment facilities as well as HP OEM customers who integrate and re-sell HP equipment.</p>
<b>Hewlett-Packard Corporate Environmental Information</b>	<p>For more information about HP's commitment to the environment:</p> <p>Global Citizenship Report <a href="http://www.hp.com/hpinfo/globalcitizenship/gcreport/index.html">http://www.hp.com/hpinfo/globalcitizenship/gcreport/index.html</a></p> <p>Eco-label certifications <a href="http://www.hp.com/hpinfo/globalcitizenship/environment/productdesign/ecolabels.html">http://www.hp.com/hpinfo/globalcitizenship/environment/productdesign/ecolabels.html</a></p> <p>ISO 14001 certificates: <a href="http://www.hp.com/hpinfo/globalcitizenship/environment/operations/envmanagement.html">http://www.hp.com/hpinfo/globalcitizenship/environment/operations/envmanagement.html</a></p>

### *Environmental Data*

1. External power supplies, power cords, cables and peripherals are not Low Halogen. Service parts obtained after purchase may not be Low Halogen.
2. EPEAT® Gold where HP registers commercial display products. See [www.epeat.net](http://www.epeat.net) for registration status in your country.
3. Service levels and response times for HP Care Pack Services may vary depending on your geographic location. Service starts from date of hardware purchase. Restrictions and limitations apply. See <http://www.hp.com/go/cpc> for details.
4. The HP Quick Release has been designed to support a maximum of up to 24 lbs (10.9 kg) for all devices mounted. Because mounting surfaces vary widely and the final mounting method and configuration may vary, mounting fasteners are not supplied (other than the VESA-compliant screws). HP recommends that you consult with a qualified engineering, architectural or construction professional to determine the appropriate type and quantity of mounting fasteners required for your application and to ensure that your mounting solution is properly installed to support applied loads.

© Copyright 2016 Hewlett-Packard Development Company, L.P.

ENERGY STAR is a registered mark owned by the U.S. government. All specifications represent the typical specifications provided by HP's component manufacturers; actual performance may vary either higher or lower. The only warranties for HP products and services are set forth in the express warranty statements accompanying such products and services. Nothing herein should be construed as constituting an additional warranty. HP shall not be liable for technical or editorial errors or omissions contained herein.

## *Change Log*

<b>Date of change:</b>	<b>Version History:</b>		<b>Description of change:</b>
February 1, 2016	From v1 to v2	Added	Current table within the power section
May 16, 2016	From v2 to v3	Update	Updated Environmental Data values