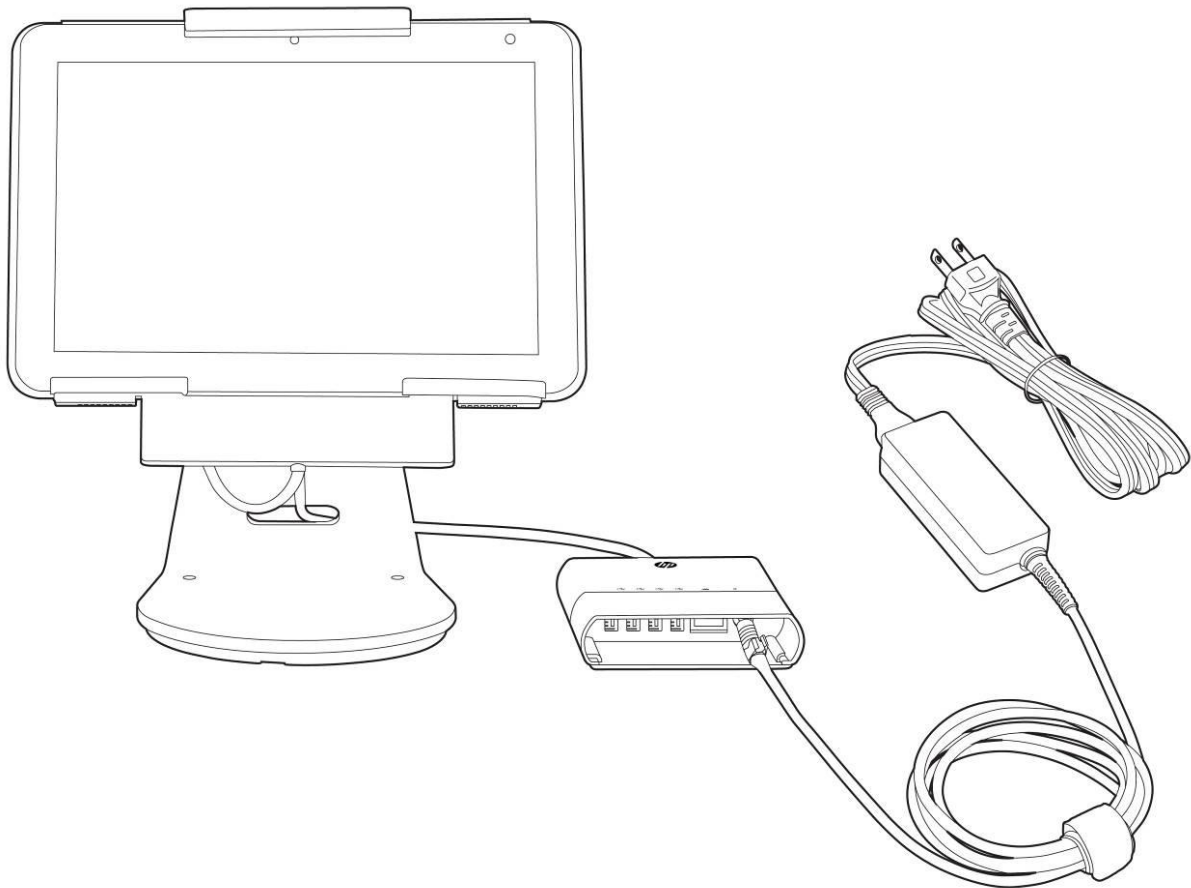


### HP TX1 POS Solution 200 Components

#### HP TX1 POS Solution 200

**Model**

HP TX1 POS Solution, 200

**Includes**

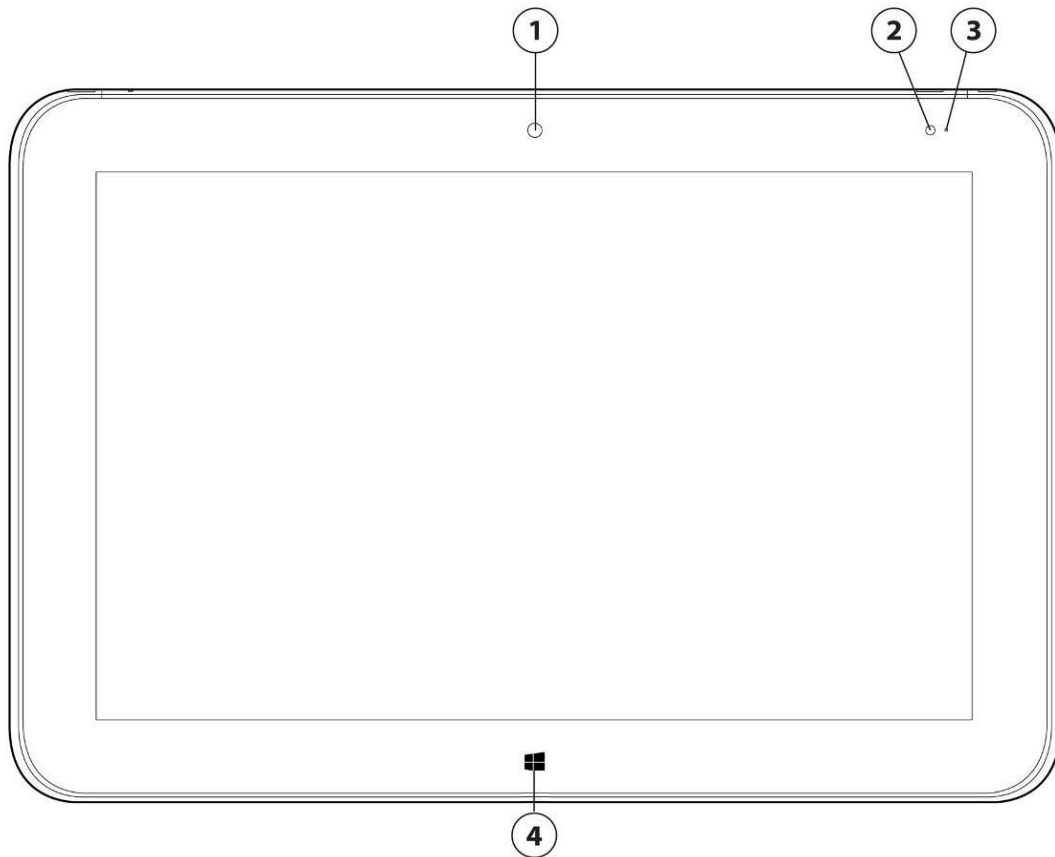
HP ElitePad 1000 G2, HP Tablet POS Stand, HP ElitePad Connectivity and Smart AC Adapter, Quick Setup Guide

**SKU number**

**M5V01EA**  
(EMEA only)

### HP TX1 POS Solution 200 Components

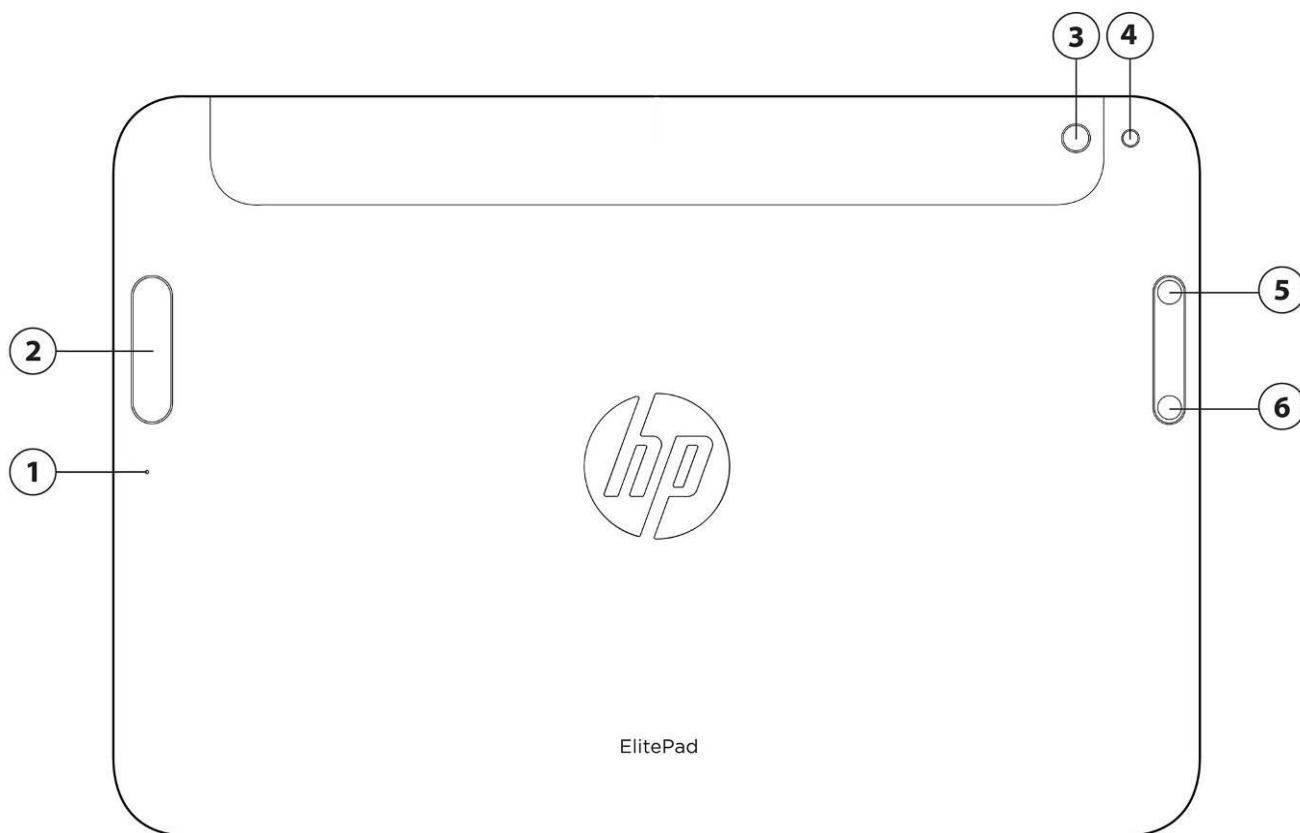
#### HP ElitePad 1000 G2



#### FRONT VIEW

- |                                    |                                   |
|------------------------------------|-----------------------------------|
| 1. Front-facing 2.1MP/1080p camera | 3. Front-facing camera LED        |
| 2. Ambient Light Sensor (ALS)      | 4. Windows home capacitive button |

### HP TX1 POS Solution 200 Components

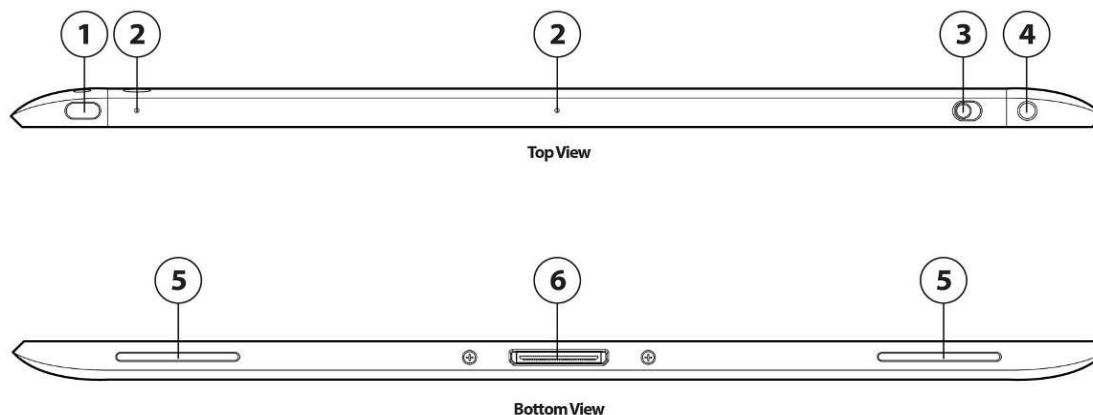


#### REAR VIEW

- |                                     |                |
|-------------------------------------|----------------|
| 1. MicroSDXC door eject hole        | 4. Flash LED   |
| 2. SIM / MicroSDXC card access door | 5. Volume Up   |
| 3. Rear Facing 8MP camera           | 6. Volume Down |

### HP TX1 POS Solution 200 Components

#### HP ElitePad 1000 G2



#### SIDE VIEW

- |  |   |
|--|---|
| 1. Power button                                  | 4. Combo headphone-out/microphone-in jack |
| 2. Integrated microphone (dual-microphone array) | 5. Stereo speakers                        |
| 3. Rotation lock switch                          | 6. Docking connector                      |

### HP TX1 POS Solution 200 Components

#### Introduction

The HP TX1 POS Solution 200 is your instant register, right out of the box. You can run your business—from the counter to the back office—with this tablet-based POS bundle that's quick to set up, easy to use and includes the HP ElitePad 1000 G2 tablet PC, HP Tablet POS Stand, and the HP ElitePad Connectivity and Smart AC Adapter to connect your USB accessories.

**NOTE:** Not all features are available in all editions or versions of Windows. Systems may require upgraded and/or separately purchased hardware, drivers and/or software to take full advantage of Windows functionality. See <http://www.microsoft.com>.

#### At a Glance

- Make transactions and behind-the-scenes business a breeze with the HP ElitePad 1000 G2, a Windows 8.1 10.1-inch diagonal tablet PC that's business-ready with a Corning® Gorilla® Glass touchscreen.
  - Windows 8.1 Pro 64
  - Two integrated webcams (2.1 MP/1080p (front facing); 8 MP with LED flash (rear facing))
  - Intel® Atom™ Bay Trail-T Z3795 Quad Core 1.6 GHz SoC BGA
  - Integrated Intel® HD Graphics
  - 10.1-inch diagonal WUXGA wide-viewing angle outdoor display (1920 x 1200)); 16:10 Aspect Ratio
  - 4GB LPDDR3 1067 MHz Memory
  - 2-cell (30 WHr) Li-ion polymer HP Long Life battery
  - 64 GB embedded Multi Media Card (eMMC)
  - 9.2 mm thin profile
  - Weight starting at 1.50 lbs (0.68 kg)
  - MicroSDXC card slot supports SDXC Cards up to 2TB
  - Integrated Bluetooth® 4.0 and Wireless LAN 802.11 a/b/g/n
- Power your tablet and customize your POS for your business needs with the HP ElitePad Connectivity and Smart AC Adapter, which has an RJ-45 port for your network and four USB 3.0 ports for your POS accessories or payment device.
- Provides the flexibility to support both customer transactions and administrative tasks. Securely lock the tablet in an upright position in the stand for easy interaction, and swivel it to capture customer information. And because business never stops, the tablet easily detaches from the stand so you can remove it at the end of the day to work on back office and management activities.
- Be confident that all your POS hardware is backed by a brand you trust with world-class service, support and security.

**NOTE:** See important legal disclosures for all listed specs in their respective features sections.

#### Service and Support

Flexibility and protection come standard with our world class service and support. Enjoy our standard one-year limited warranty on the HP ElitePad 1000 G2, HP Tablet POS Stand, and HP ElitePad Connectivity and Smart AC Adapter. Additional coverage up to 5 years is available with optional HP Care Pack Services.

**NOTE:** See important legal disclosures for all listed specs in their respective features sections.

### HP TX1 POS Solution 200 Components

#### PRODUCT NAME

##### HP TX1 POS Solution 200

- HP ElitePad 1000 G2
- HP Tablet POS Stand

HP ElitePad Connectivity and Smart AC Adapter

#### OPERATING SYSTEM

##### Preinstalled

**Windows 8.1 Pro 64 \***

**Windows 10 IoT Enterprise For Retail (64-bit)**

\* Not all features are available in all editions of Windows 8.1. Systems may require upgraded and/or separately purchased hardware, drivers and/or software to take full advantage of Windows 8.1 functionality. See <http://www.microsoft.com> for details.

#### PROCESSOR

Intel® Quad-Core Atom™ Z3795 Processor (1.6 GHz base/2.39 GHz burst SoC BGA ) (64-bit)

#### DISPLAY

<b>Type</b>	10.1-inch diagonal WUXGA diagonal capacitive multi-touch display with wide viewing angle (1920 x 1200)*
<b>Touchscreen</b>	Capacitive multi-touch screen
<b>Aspect Ratio</b>	16:10*
<b>Auto rotate</b>	Selectable
<b>Screen material</b>	Corning® Gorilla® Glass 3 with anti-smudge
<b>Diagonal Size</b>	10.1 inch
<b>Viewing Angles</b>	≥80°
<b>Refresh Rate</b>	60Hz*
<b>Brightness</b>	400 nits (typical)*
<b>Color Depth</b>	Up to 32-bit color depth with FRC

\* Resolutions are dependent upon monitor capability, and resolution and color depth settings. All specifications represent the typical specifications provided by HP's component manufacturers; actual performance may vary either higher or lower.

#### STORAGE AND DRIVES

##### Internal Storage Device

64GB\* embedded Multi Media Card (available with 64-bit OS)

##### MicroSDXC card slot supported

MicroSD card slot supporting SDXC and up to 2TB\*\*

\*For Solid State Drives (SSD), GB = 1 billion bytes. Actual formatted capacity is less. Up to 5 GB for Windows 8.1 is reserved for system recovery software.

\*\*Card sold separately

#### MEMORY

##### Standard

### HP TX1 POS Solution 200 Components

4GB LPDDR3 SDRAM (Data transfer rate up to 1,600 MT/s)

### HP TX1 POS Solution 200 Components

#### NETWORKING/COMMUNICATIONS

##### Wi-Fi\*

802.11 a/b/g/n 2x2 + Bluetooth® 4 LE SDIO

\* Wireless access point and Internet service required and not included. Availability of public wireless access points limited.

#### AUDIO/MULTIMEDIA

##### Audio

HD audio with DTS Sound+™

2 Integrated stereo speakers

2 integrated microphones (dual-microphone array) (noise cancelling and beam forming)

Combo stereo/headphone/microphone jack

##### Cameras

Front Camera: 2.1 MP, with webcam indicator LED, 1080p\*

Rear Camera: 8MP Auto-focus with LED flash

\*HD content required to view HD images

#### SENSORS

Ambient Light sensor

Accelerometer

e-Compass

Gyroscope

Haptics sensor

#### SOFTWARE AND SECURITY

HP Value Add Software

HP ePrint\*

HP Manageability

HP PageLift

PDF Complete

HP Wallpaper

System Default Settings

HP PC Hardware Diagnostics UEFI

##### Security

HP Client Security (incl. Credential Manager and Password Manager)

Absolute Data Protect\*\*

\* Requires an Internet connection to HP web-enabled printer and HP ePrint account registration (for a list of eligible printers, support documents and image types and other HP ePrint details, see <http://www.hp.com/go/eprintcenter>. Mobile devices require Internet connection and email capability. May require wireless access point. Separately purchased data plans or usage fees may apply. Print times and connection speeds may vary.

\*\* Includes a 4 year license of Absolute Data Protect to locate your device, lock and prevent unauthorized access and remotely delete personal data. License must be activated by customer. See <http://www.absolute.com/landing/2012/computrace-hp> for complete details. Absolute Data Protect agent is shipped turned off, and must be activated by customers. Service may be limited, check with Absolute for availability outside the U.S. The optional subscription service of Absolute Recovery Guarantee is a limited warranty. Certain conditions apply. For full details visit: <http://www.absolute.com/company/legal/agreements/computrace-agreement>. If Data Delete is utilized, the Recovery Guarantee payment is null and void. In order to use the Data Delete service, customers must first sign a Pre-Authorization Agreement and either create a PIN or purchase one or more RSA SecurID tokens from Absolute Software.



### HP TX1 POS Solution 200 Components

#### POWER

##### Power Supply

External 10-watt HP ElitePad 10W Smart AC Adapter with detachable duck-heads  
Total length is 5.9ft (180cm)

##### Primary Battery

2-cell (30 WHr) Lithium Polymer battery

##### Battery Life

Up to 9 hours\*

##### Standby Time

Standby life will vary depending on various factors including battery, Memory, CPU, EC and LAN chip. The maximum capacity of the battery will naturally decrease with time and usage.

##### Power Conservation

Balanced

\* Testing conducted by HP consisting of full battery discharge while running a series of productivity scripts against the following applications (which may or may not be included with your particular product): Adobe® AcrobatReader 7.0, Adobe® Illustrator® CS2, Adobe® Photoshop® CS2, Apple®, Quicktime 7.1 Intervideo® WinDVD® 8, Macromedia® Flash 8, Microsoft® Office® 2003 Pro, Microsoft® Project 2003, and Winzip® 10.0. Prior to testing, the system was fully charged, display brightness was set at 60 nits, wireless was turned off, and auto dim, suspend, hibernat and all other programs, utilities, and services not essential to running the computer system or battery life test were disabled. Battery life will vary depending on the product model, configuration, loaded applications, features, use, wireless functionality and power management settings. The maximum capacity of the battery will naturally decrease with time and use.

#### WEIGHT & DIMENSIONS

##### Weight

0.68 kg (1.5 lbs.)

##### Dimensions (w x d x h)

261 x 178 x 9.2 mm (10.28 x 7.01 x 0.36 in)

\* Weight and system dimensions may fluctuate due to configuration and manufacturing variances.

#### PORTS/SLOTS

##### Ports

- (1) 3.5mm Headphone/Microphone Combo Jack\*
- (1) System connector

##### Expansion Slots

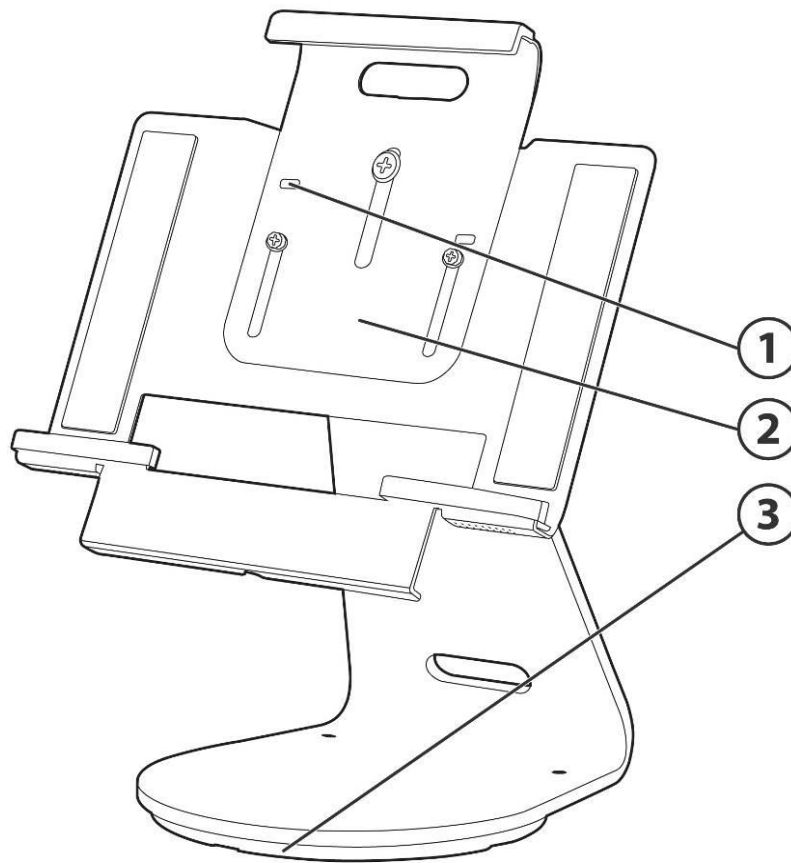
- (1) MicroSDXC card slot\*\*
- (1) Micro SIM slot

\*Headphones are sold separately

\*\*Card Sold separately

### HP TX1 POS Solution 200 Components

#### HP Tablet Point of Sale Stand

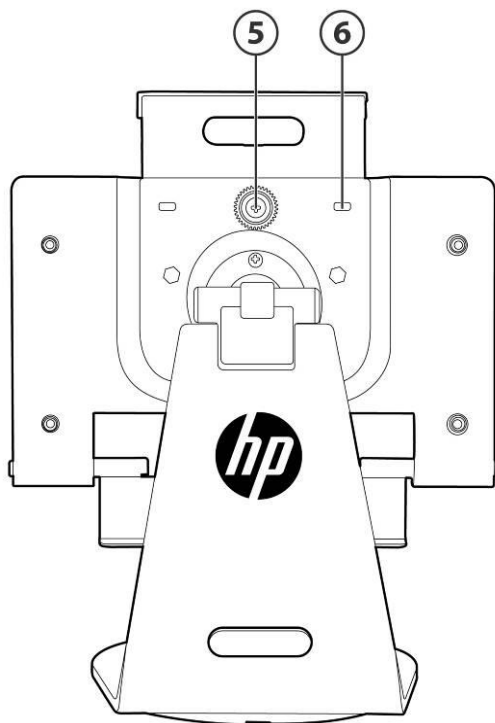


**FRONT VIEW**

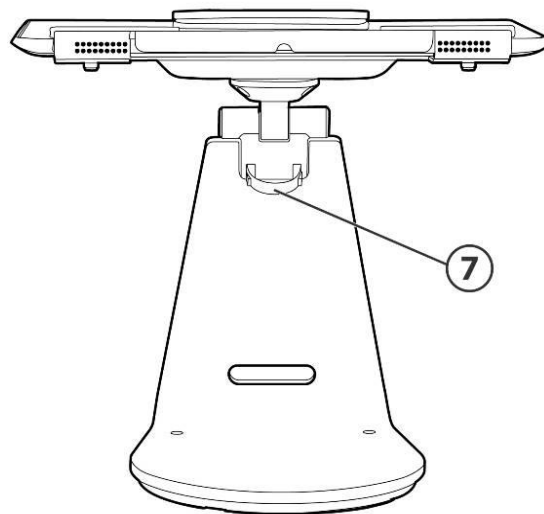
1. Security Slot
2. Tablet Cradle
3. Swivel base

### HP TX1 POS Solution 200 Components

#### HP Tablet Point of Sale Stand



**BACK VIEW**



**STAND VIEW**

- 5. Tablet Locking Screw
- 6. Security Slot

- 7. Cable Routing Clip

### HP TX1 POS Solution 200 Components

#### MODEL

HP Tablet Point of Sale Stand

#### KEY FEATURES AND BENEFITS

- Steel frame
- Wide range of tilt (-5° to 165°) for favorable ergonomics and to allow for multiple viewing angles
- Rotates 180° in either direction for easy customer interaction
- Magnetic base that can be placed on top of a cash drawer (not included) or on a counter top (leave free-standing or use the two mounting holes on the foot of the stand to mount for more permanent placement)
- Clamp and built-in thumb screw securely holds the tablet in the stand for POS use and allows for tool-less removal of the tablet from the stand
- Slot for Kensington lock for added security (lock optional and not included)
- Enables usage of front and rear cameras on tablet
- Cable clip to route cables through the back of the stand
- Resists wobble from touch screen usage
- Includes optional bracket to attach HP MSR or fingerprint reader (MSR and fingerprint reader sold separately)

#### TECHNICAL SPECIFICATIONS

##### General

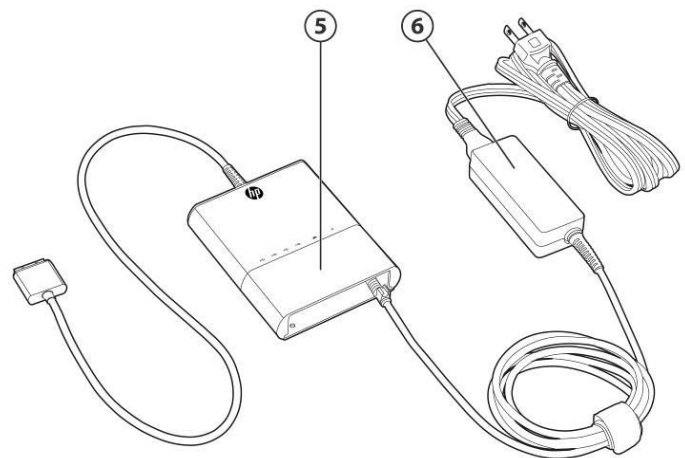
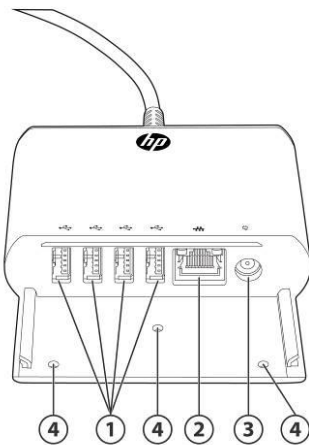
**Product Dimensions  
(HxWxD)** 280 x 220 x 135 mm  
11.02 x 8.66 x 5.31 in

**Weight** 2.72kg.  
6 lbs.

**Optional bracket** Included with the stand, the bracket is for optional use by the customer. It can be attached to the left or right side of the stand and is compatible with the HP Magnetic Stripe Reader (K1K15AA) and the HP Fingerprint reader (QZ672AA), also listed in the options and accessories section of this document.

### HP TX1 POS Solution 200 Components

### HP ElitePad Connectivity and Smart AC Adapter



- 1. USB 3.0 ports (4)
- 2. Ethernet (RJ45) port 10/100 Mbs
- 3. AC Power connector
- 4. Mounting holes (3)
- 5. Cable cover
- 6. AC Power Adapter

### HP TX1 POS Solution 200 Components

#### MODEL

HP ElitePad Connectivity and Smart AC Adapter

#### KEY FEATURES AND BENEFITS

- Easily connect your ElitePad and up to 4 POS accessories, EMV payment device or other USB 3.0 devices
- Installs with plug-and-play ease (requires no software)
- Provides wired LAN connectivity
- Provides ability to mount it via three mounting holes for more permanent placement
- Keeps Elitepad charged

#### TECHNICAL SPECIFICATIONS

##### General

**Product Dimensions (HxWxD)** 116 x 98 x 26 mm  
4.56 x 3.86 x 1.02 in

**Weight** 0.5 lbs.  
0.23 kg.

**Power** 45W power supply

**Ports** (1) Ethernet (RJ45) port 100 Mbs  
(4) USB 3.0 ports  
(1) AC power connector

### Technical Specifications – System Unit and Display

#### SYSTEM UNIT

<b>Stand-Alone Power Requirements (AC Power)</b>	<b>Nominal Operating Voltage</b>	90 Vac~265 Vac
	<b>Average Operating Power</b>	8 W
	<b>Max Operating Power</b>	< 10 W
<b>Temperature</b>	<b>Operating</b>	32° to 95° F (0° to 35° C)
	<b>Non-operating</b>	-4° to 140° F (-20° to 60° C)
<b>Relative Humidity</b>	<b>Operating</b>	10% to 90%, non-condensing
	<b>Non-operating</b>	5% to 95%, 101.6° F (38.7° C) maximum wet bulb temperature
<b>Shock</b>	<b>Operating</b>	40 G, 2 ms, half-sine
	<b>Non-operating</b>	200 G, 2 ms, half-sine
<b>Random Vibration</b>	<b>Operating</b>	0.75 grms
	<b>Non-operating</b>	1.50 grms
<b>Altitude (unpressurized)</b>	<b>Operating</b>	-50 to 10,000 ft (-15.24 to 3,048 m)
	<b>Non-operating</b>	-50 to 40,000 ft (-15.24 to 12,192 m)
<b>Planned Industry Standard Certifications</b>	<b>UL</b>	Yes
	<b>CSA</b>	Yes
	<b>FCC Compliance</b>	Yes
	<b>ICES</b>	Yes
	<b>Australia / NZ A-Tick Compliance</b>	Yes
	<b>CCC</b>	Yes
	<b>Japan VCCI Compliance</b>	Yes
	<b>KC</b>	Yes
	<b>BSMI</b>	Yes
	<b>CE Marking Compliance</b>	Yes
	<b>BNCI or BELUS</b>	Yes
	<b>CIT</b>	Yes
	<b>GOST</b>	Yes
	<b>Saudi Arabian Compliance (ICCP)</b>	Yes
	<b>SABS</b>	Yes
<b>UKRSERTCOMPUTER</b>	Yes	

For accessibility information on HP products, please visit: <http://www.hp.com/accessibility>.

#### DISPLAY

<b>10.1-inch diagonal WUXGA wide-viewing angle outdoor display (1920 x 1200)</b>	<b>Diagonal Size</b>	10.1 inch
	<b>Surface</b>	Anti-smudge Corning® Gorilla® Glass 3
	<b>Refresh Rate</b>	60Hz
	<b>Brightness</b>	400 nits (typical)*
	<b>Format</b>	1920 x 1200

\* All specifications represent the typical specifications provided by HP's component manufacturers; actual performance may vary either higher or lower.

### Technical Specifications – Storage and Networking

#### STORAGE AND DRIVES

<b>64 GB embedded Multi Media Card (eMMC)</b>	<b>Drive Weight</b>	Up to 2g
	<b>Capacity</b>	64 GB
	<b>Height</b>	1.4 mm
	<b>Width</b>	12 x 16 mm
	<b>Interface</b>	MMC protocol v4.51
	<b>Performance</b>	Sequential Read : 100MB/s (min.) Sequential Write : 40MB/s (min.)
	<b>Features</b>	Embedded Multi Media Card v4.51 compliant, TRIM, Secure Erase, CMD5 support, Partition management, Enhanced Write Protection, HS200 support

#### NETWORKING/COMMUNICATIONS

<b>Broadcom Dual Band Wireless-N 43241 802.11 a/b/g/n (2x2) WiFi + Bluetooth 4.0 Combo Adaptor *</b>	<b>WIRELESS LAN STANDARDS</b>	IEEE 802.11A IEEE 802.11B IEEE 802.11G IEEE 802.11N
	<b>Interoperability</b>	Wi-Fi certified Cisco Compatible Extensions Program compliant with Microsoft Windows 7, Windows Vista and XP (details at: <a href="http://www.hp.com/go/notebooks/WLAN">http://www.hp.com/go/notebooks/WLAN</a> )
	<b>Frequency Band</b>	802.11b/g/n                    2.402 - 2.482 GHz 802.11a/n                    4.9 - 4.95 GHz (Japan) 5.15 - 5.25 GHz 5.25 - 5.35 GHz 5.47 - 5.725 GHz 5.825 - 5.850 GHz
	<b>Antenna Structure</b>	2 transmit; 2 receive (2x2)
	<b>Data Rates</b>	802.11a: 6, 9, 12, 18, 24, 36, 48, 54 Mbps 802.11b: 1, 2, 5.5, 11 Mbps 802.11g: 6, 9, 12, 18, 24, 36, 48, 54 Mbps 802.11n: MCS 0 ~ MCS 15, (20MHz, and 40MHz)
	<b>Modulation</b>	Direct Sequence Spread Spectrum CCK, BPSK, QPSK, 16-QAM, 64-QAM
	<b>Security<sup>1</sup></b>	<ul style="list-style-type: none"> <li>• IEEE and WiFi compliant 64 / 128 bit WEP encryption for a/b/g mode only</li> <li>• AES-CCMP: 128 bit in hardware</li> <li>• 802.1x authentication</li> <li>• WPA, WPA2: 802.1x. WPA-PSK, WPA2-PSK, TKIP, and AES.</li> <li>• WPA2 certification</li> <li>• IEEE 802.11i</li> <li>• Cisco Certified Extensions, all versions through CCX4 and CCX Lite</li> <li>• WAPI</li> </ul>
	<b>Sub-channels</b>	Multinational support with frequency bands and channels compliant to local regulations.
	<b>Network Architecture</b>	Ad-hoc (Peer to Peer)



### Technical Specifications – Networking

<b>Models</b>	Infrastructure (Access Point Required)
<b>Roaming</b>	IEEE 802.11 compliant roaming between band Access Points
<b>Output Power<sup>2</sup></b>	<ul style="list-style-type: none"> <li>• 2.4G: +13.5dBm minimum</li> <li>• 5G: +12dBm minimum</li> </ul>
<b>Power Consumption</b>	Transmit: 2.0 Watts Receive: 1.6 Watts Idle mode <sup>3</sup> : 150 mW (WLAN Associated) Idle mode: 50 mW (WLAN unassociated) Radio off: 25 mW
<b>Power Management</b>	802.11 compliant power saving mode
<b>Receiver Sensitivity<sup>4</sup></b>	802.11g:-90 dBm (6 Mbps), -89 dBm (9 Mbps), -87 dBm (12 Mbps), -85 dBm (18 Mbps), -82 dBm (24 Mbps), -79 dBm (36 Mbps), -76 dBm (48 Mbps), -74 dBm (54 Mbps)  802.11b:-95 dBm (1 Mbps), -93 dBm (2 Mbps), -91 dBm (5.5 Mbps), -88 dBm (11 Mbps)  802.11g:-90 dBm (6 Mbps), -89 dBm (9 Mbps), -87 dBm (12 Mbps), -85 dBm (18 Mbps), -82 dBm (24 Mbps), -79 dBm (36 Mbps), -76 dBm (48 Mbps), -74 dBm (54 Mbps)  802.11n:-69 dBm (150 Mbps), -66 dBm (300 Mbps)
<b>Antenna Connections</b>	2 U.FL type connectors (output impedance of 50 ± 2 ohms)
<b>Form Factor</b>	Customize LGA Card
<b>Dimensions</b>	Width 17 x Depth 10.5 x High 1.5(mm)
<b>Operating Voltage</b>	3.3v +/- 9% and 1.8V +/- 9%
<b>Temperature</b>	Operating 14° to 158° F (-10° to 70° C) Non-operating -40° to 176° F (-40° to 80° C)
<b>Humidity</b>	Operating 10% to 90% (non-condensing) Non-operating 5% to 95% (non-condensing)
<b>Altitude</b>	Operating 0 to 10,000 ft (3,048 m) Non-operating 0 to 50,000 ft (15,240 m)

#### HP Integrated Module with Bluetooth 4.0 LE SDIO Wireless Technology\*

\*This module is Bluetooth Smart Ready for systems running Windows 8 and Windows 8.1.

<b>Bluetooth Specification</b>	BT 4.0 LE SDIO
<b>Dimensions</b>	Width 17 x Depth 10.5 x High 1.5(mm)
<b>Frequency Band</b>	2402 to 2480 MHz
<b>Number of Available Channels</b>	79 (1 MHz) available channels
<b>Data Rates and Throughput</b>	3 Mbps data rate; throughput up to 2.17 Mbps Synchronous Connection Oriented links up to 3, 64 kbps, voice channels Asynchronous Connection Less links 2178.1 kbps/177.1 kbps asymmetric or 1306.9 kbps symmetric
<b>Transmit Power</b>	-1.5 dBm to 4 dBm (Bluetooth Class II)
<b>Receiver Sensitivity</b>	Better than -20 dBm at 0.1 % raw bit error rate

### Technical Specifications – Networking

<b>Power Consumption</b>	Peak (Tx) 300 mW Peak (Rx) 180 mW Selective Suspend 10 mW
<b>Antenna</b>	Internally integrated within module
<b>Range</b>	Up to 33 ft (10 m)
<b>Electrical Interface</b>	UART compliant Microsoft Windows Plug and Play compliant
<b>Bluetooth Software Supported</b>	Broadcom Bluetooth for Windows Microsoft Windows Bluetooth Software
<b>Link Topology</b>	Point to Point, Multipoint Pico Nets up to 7 slaves
<b>Security</b>	Full support of Bluetooth Security Provisions
<b>Power Management</b>	Microsoft Windows ACPI, and USB Bus Support Self-configurable to optimize power conservation in all operating modes, including Standby, Hold, Park, and Sniff
<b>Certifications</b>	All necessary regulatory approvals for supported countries, including: FCC (47 CFR) Part 15C, Section 15.247 & 15.249 ETS 300 328, ETS 300 826 Low Voltage Directive IEC950 UL, CSA, and CE Mark
<b>Bluetooth Profiles Supported</b>	Serial Port Profile (SPP) <sup>1</sup> Service Discovery Application Profile (SDAP) Dial-Up Networking (DUN) <sup>1,2</sup> Generic Object Exchange Profile (GOEP) <sup>1,2</sup> Object Push Profile (OPP) <sup>1,2</sup> File Transfer Profile (FTP) Synchronization Profile (SYNC) Hard Copy Cable Replacement (HCRP) <sup>1,2</sup> Personal Area Networking Profile (PAN) <sup>1,2</sup> Human Interface Device Profile (HID) <sup>1,2</sup> FAX Profile (FAX) Basic Imaging Profile (BIP) <sup>2</sup> Headset Profile (HSP) Hands Free Profile (HFP) Advanced Audio Distribution Profile (A2DP)

\* Wireless access point and internet service required and sold separately. Availability of public wireless access points limited.

### Technical Specifications – Audio

#### AUDIO/MULTIMEDIA – HD audio

<b>Audio Output Quality</b>	<b>Frequency Response</b>	20 Hz - 20 kHz
	<b>Signal to Noise Ratio</b>	>85 dB
	<b>Total Harmonic Distortion</b>	0.01%
	<b>Noise Floor</b>	-110 dB
	<b>Play/Record Sampling Rate(s)</b>	8 kHz - 48kHz
	<b>DAC</b>	16, 20 or 24-bit
	<b>ADC</b>	16 or 20-bit
	<b>Integrated Stereo Speakers</b>	<b>Power Rating</b>
	<b>Impedance</b>	4 ohm

### Technical Specification - Power

#### POWER

<b>HP 10W non-Smart AC Adapter</b>	<b>Dimensions</b>	2.56 x 2.17 x 1.12 in (65.0 x 55.0 x 28.5 mm)	
	<b>Input</b>	100 to 240 VAC	
		<b>Input dPower Rating</b>	< 15W
	<b>Output</b>	<b>Input frequency range</b>	47 – 63 Hz
		<b>Input AC current</b>	0.3A at 90 VAC
		<b>Voltage</b>	9V +/- 4.0%
		<b>Constant power</b>	11 W (maximum) continuously between DC output 9V – 6.5V
		<b>Hold-up time</b>	5 msec at 115 VAC input
		<b>Output current limit</b>	1.1A
	<b>Connector</b>	3 pin/grounded, mates with interchangeable cords; 70 pin / tyco connector (to tablet side)	
	<b>Environmental Design</b>	<b>Operating temperature</b>	32° to 95° F (0° to 35° C)
		<b>Non-operating (storage) temperature</b>	-4° to 185° F (-20° to 85° C)
		<b>Operating altitude</b>	0 to 16,404 ft (0 to 5,000 m)
		<b>Non-operating altitude</b>	0 to 50,000 ft (0 to 15,240 m)
		<b>Humidity</b>	0% to 95%
<b>Storage Humidity</b>		0% to 95%	
<b>EMI and Safety Certifications</b>	CE Mark - full compliance with LVD and EMC directives; Worldwide safety standards - IEC60950, EN60950, UL60950, Class1, SELV; Agency approvals - C-UL-US, NORDICS, DENAN, EN55022 Class B, FCC Class B, CISPR22 Class B, CCC, NOM-1 NYCE		
<b>HP 2-cell (30 WHr) Polymer Long Life Primary battery</b>	<b>Weight</b>	0.17 kg	
	<b>Dimensions (H x W x L)</b>	8.7 x 1.56 x 0.17 in	
		(22.09 x 13.963 x 0.43 cm)	
	<b>Cells/Type</b>	2-cell, Lithium Ion Polymer	
	<b>Energy</b>	<b>Voltage</b>	7.4V
		<b>Amp-hour capacity</b>	4.2
		<b>Watt-hour capacity</b>	30Wh
		<b>Operating (Charging)</b>	32° to 113° F (0° to 45° C)
	<b>Temperature</b>	<b>Operating (Discharging)</b>	14° to 140° F (-10° to 60° C)
		<b>Non-operating</b>	-4° to 140° F (-20° to 60° C)
	<b>Battery Re-Charge Time</b>	<b>System in OFF or Standby Mode</b>	depends on system setting
		<b>System ON</b>	depends on system setting
<b>Fuel Gauge LED</b>	No		
<b>Warranty</b>	36 months		
<b>Optional Travel Battery Available</b>	No		

### Technical Specification - Environmental Data

#### ENVIRONMENTAL DATA

##### Eco-Label Certifications & declarations

This product has received or is in the process of being certified to the following approvals and may be labeled with one or more of these marks:

- IT ECO declaration

##### System Configuration

The configuration used for the Energy Consumption and Declared Noise Emissions data for the Notebook model is based on a "Typically Configured Notebook".

##### Energy Consumption (in accordance with US ENERGY STAR® test method)

	115VAC, 60Hz	230VAC, 50Hz	100VAC, 60Hz
Normal Operation (Short idle)	2.83 W	2.98 W	2.83 W
Normal Operation (Long idle)	1.22 W	1.21 W	1.22 W
Sleep	0.26 W	0.29 W	0.26 W
Off	0.20 W	0.22 W	0.20 W

##### NOTE:

Energy efficiency data listed is for an ENERGY STAR® compliant product if offered within the model family. HP computers marked with the ENERGY STAR® Logo are compliant with the applicable U.S. Environmental Protection Agency (EPA) ENERGY STAR® specifications for computers. If a model family does not offer ENERGY STAR® compliant configurations, then energy efficiency data listed is for a typically configured PC featuring a hard disk drive, a high efficiency power supply, and a Microsoft Windows® operating system.

##### Heat Dissipation\*

	115VAC, 60Hz	230VAC, 50Hz	100VAC, 60Hz
Normal Operation (Short idle)	10 BTU/hr	10 BTU/hr	10 BTU/hr
Normal Operation (Long idle)	4 BTU/hr	4 BTU/hr	4 BTU/hr
Sleep	1 BTU/hr	1 BTU/hr	1 BTU/hr
Off	1 BTU/hr	1 BTU/hr	1 BTU/hr

\* Heat dissipation is calculated based on the measured watts, assuming the service level is attained for one hour.

##### Declared Noise Emissions (in accordance with ISO 7779 and ISO 9296)

	Sound Power (LWAd, bels)	Sound Pressure (LpAm, decibels)
Typically Configured - Idle	2.0	14
Fixed Disk - Random writes	2.0	14

##### Batteries

Product Does not contain batteries

##### Additional Information

- This product is in compliance with the Restrictions of Hazardous Substances (RoHS) directive - 2011/65/EC.
- This HP product is designed to comply with the Waste Electrical and Electronic Equipment (WEEE) Directive - 2002/96/EC.
- This product is in compliance with California Proposition 65 (State of California; Safe Drinking Water and Toxic Enforcement Act of 1986).
- Plastics parts weighing over 25 grams used in the product are marked per ISO11469 and ISO1043.
- This product contains 7.7% post-consumer recycled plastic (by wt.)
- This product is 97.6% recycle-able when properly disposed of at end of life.

##### Packaging Materials

##### External:

PAPER/Paper

253.3 g

### Technical Specification - Environmental Data

<b>Internal:</b>	PLASTIC/Polyethylene low density	6.5 g
	PLASTIC/EPE-Expanded Polyethylene	29 g

The plastic packaging material contains at least 71.22% recycled content.

The PAPER/Paper packaging materials contains at least 0% recycled content.

#### CLEANING

The following cleaning solutions, if used as instructed in the user guide, will not harm the HP ElitePad 1000 G2:

- Benzyl-C12-18-alkyldimethyl ammonium chlorides < 1%  
Quaternary ammonium compounds, C12-14-alkyl[(ethylphenyl)methyl]dimethyl, chlorides < 1%
- Isopropanol 10- 20%; Ethylene Glycol Monobutyl Ether 1- 5%)
- n- Alkyl Dimethyl Benzyl Ammonium Chloride 5%-10%  
Didecyl Dimethyl Ammonium Chloride 5%-10%  
Ethyl Alcohol 1%-5%  
Lauryl dimethyl amine oxide 0.1%-1.5%
- Alkyl dimethyl benzyl ammonium chloride.....0.16%  
Octyl decyl dimethyl ammonium chloride..... 0.12%  
Dioctyl dimethyl ammonium chloride.....0.06%  
Didecyl dimethyl ammonium chloride.....0.06%
- Ethylene glycol n-hexyl ether 0.1%-1.0%  
Isopropanol 1%-5%  
Water 90%-95%
- Sodium hypochlorite 1%-5%  
Sodium hydroxide 0.5%-2%
- Dimethyl benzyl ammonium chloride 0.3 percent maximum concentration disposable wipes that come in a variety of brand names.
- Alcohol-free glass cleaning fluid
- Water with mild soap solution

Please refer to the user guide that came with your product for detailed instructions about how to clean your HP ElitePad 1000 G2 using these solutions.

#### MATERIAL USAGE

This product does not contain any of the following substances in excess of regulatory limits (for reference of these limits please refer to the HP General Specification of the Environment

([http://www.hp.com/hpinfo/globalcitizenship/environment/supplychain/gen\\_specifications.html](http://www.hp.com/hpinfo/globalcitizenship/environment/supplychain/gen_specifications.html)):

- Asbestos
- Certain Azo Colorants
- Certain Brominated Flame Retardants – may not be used as flame retardants in plastics
- Cadmium
- Chlorinated Hydrocarbons
- Chlorinated Paraffins
- Formaldehyde
- Halogenated Diphenyl Methanes
- Lead carbonates and sulfates
- Lead and Lead compounds
- Mercuric Oxide Batteries
- Ozone Depleting Substances
- Polybrominated Biphenyls (PBBs)
- Polybrominated Biphenyl Ethers (PBBEs)

### Technical Specification - Environmental Data

- Polybrominated Biphenyl Oxides (PBBOs)
- Polychlorinated Biphenyl (PCB)
- Polychlorinated Terphenyls (PCT)
- Polyvinyl Chloride (PVC) – except for wires and cables, and certain retail packaging has been voluntarily removed from most applications.
- Radioactive Substances
- Tributyl Tin (TBT), Triphenyl Tin (TPT), Tributyl Tin Oxide (TBTO)
- Nickel finishes that release greater than 0.5  $\mu\text{grams}/\text{cm}^2/\text{week}$ , measured according to EN 1811:1998, are not used on any product surface designed to be frequently handled or touched by users.

**NOTE:** To be low halogen, printed boards and substrate laminates must not contain more than 1500 ppm of total halogens with a maximum chlorine of 900 ppm and maximum bromine of 900 ppm, and plastic within other components must contain less than 1000 ppm of bromine (if the source is from BFRs) and less than 1000 ppm of chlorine (if the chlorine source is from chlorinated flame retardants, PVC, or PVC copolymers).

### PACKAGING USAGE

HP follows these guidelines to decrease the environmental impact of product packaging:

- Eliminate the use of heavy metals such as lead, chromium, mercury and cadmium in packaging materials.
- Eliminate the use of ozone-depleting substances (ODS) in packaging materials.
- Design packaging materials for ease of disassembly.
- Maximize the use of post-consumer recycled content materials in packaging materials.
- Use readily recyclable packaging materials such as paper and corrugated materials.
- Reduce size and weight of packages to improve transportation fuel efficiency.
- Plastic packaging materials are marked according to ISO 11469 and DIN 6120 standards.

### END-OF-LIFE MANAGEMENT AND RECYCLING

Eligible for recycling or cash back through HP's buyback and recycling program.\*

<http://www.hp.com/go/smbrecycling> (10 units or less)

[www.hp.com/go/businessrecycling](http://www.hp.com/go/businessrecycling) (overview of all business related end of use programs)

Email [recycling.quote@hp.com](mailto:recycling.quote@hp.com) to get a quote or details on recycling programs

\*\*\* Program may not be available in your area. Check <http://www.hp.com/go/recycling> to see if HP offers for recycling in your area.

The EU WEEE directive (2002/95/EC) requires manufacturers to provide treatment information for each product type for use by treatment facilities. This information (product disassembly instructions) is posted on the Hewlett Packard web site at: <http://www.hp.com/go/recyclers>. These instructions may be used by recyclers and other WEEE treatment facilities as well as HP OEM customers who integrate and re-sell HP equipment.

### Technical Specification – Country of Origin

#### HEWLETT-PACKARD CORPORATE ENVIRONMENTAL INFORMATION

For more information about HP's commitment to the environment:

Global Citizenship Report

<http://www.hp.com/hpinfo/globalcitizenship/gcreport/index.html>

Environment website

<http://www.hp.com/environment>

Eco-label certifications

<http://www.hp.com/hpinfo/globalcitizenship/environment/productdesign/ecolabels.html>

ISO 14001 certificates:

<http://www.hp.com/hpinfo/globalcitizenship/environment/operations/envmanagement.html>

#### COUNTRY OF ORIGIN

##### ElitePad 1000 G2

China

##### HP Tablet Point of Sale Stand

China

##### HP Smart AC Adapter

China

Type	Description	Part #
<b>MSR</b>	HP Magnetic Stripe Reader	K1K15AA
<b>Security</b>	HP Fingerprint Reader	QZ672AA
<b>Input/Output</b>	HP Executive Tablet Pen (G2)*	F3G73AA
	HP Executive Capacitive Stylus	G4Y85AA#ABA
	HP ElitePad 3.0 Adapter	E8F98AA
	Optional HP ElitePad G2 USB 3.0 Adapter	E8F98AA
	Optional HP ElitePad Security Jacket	E5S90AA
	HP Security Jacket Cover	E6N31AA
	HP ElitePad SD Card Reader	H3N48AA
	HP ElitePad Serial Adapter	H3N50AA
	HP Slim Bluetooth Keyboard	H4Q44AA
	HP Mini Wireless Keyboard (Mult-OS)	E5J21AA
	HP Ultra Mobile Wireless Mouse	H6F25AA
	HP X4000b Bluetooth Mouse	H3T50AA
	HP Slim Bluetooth Mouse	F3J92AA
	HP Touch to Pair Mouse (Bluetooth)	H6E52AA#ABA
<b>Power</b>	HP ElitePad 10 Watt AC Adapter	H4K08AA

\* HP Executive Tablet Pen (G2) is only compatible with HP ElitePad 1000 G2 and HP Revolve G2.



### Options & Accessories (availability may vary by country)

HP 65W Smart Adapter	ED49494AA
HP ElitePad 45W AC Adapter	H5W93AA
HP ElitePad 12W USB Auto Adapter	F5V87AA
HP ElitePad Smart AC Adapter	H3N47AA
HP ElitePad USB Chrg 24Pk Cable	F5V88A6

**Video** HP ElitePad HDMI & VGA Adapter H3N45AA

**Networking** HP ElitePad Ethernet Adapter H3N49AA  
HP ElitePad Power/Ethernet Adapter F9D31AA

**Charging Station** HP Multi-Tablet Charging Module H4W98UT

**Miscellaneous** HP Tablet Cleaning Kit K6F99AA

**NOTE:** For additional information and specifications for the HP ElitePad Accessories, please access the HP ElitePad Accessories QuickSpecs: [http://h18004.www1.hp.com/products/quickspecs/14491\\_div/14491\\_div.html](http://h18004.www1.hp.com/products/quickspecs/14491_div/14491_div.html)

### Summary of Changes

<b>Date of change:</b>	<b>Version History:</b>		<b>Description of change:</b>
October 26, 2015	From v1 to v2	Changed	Power supply wattage from 40W to 45W

Copyright © 2015 Hewlett-Packard Development Company, L.P. The information contained herein is subject to change without notice. The only warranties for HP products are set forth in the express limited warranty statements accompanying such products. Nothing herein should be construed as constituting an additional warranty. HP shall not be liable for technical or editorial errors or omissions contained herein.

Microsoft and Windows are U.S. trademarks of Microsoft Corporation. Intel and Atom are registered trademarks or trademarks of Intel Corporation in the U.S. and/or other countries. Bluetooth is a registered trademark of its proprietor, used by Hewlett-Packard Company under license. For DTS patents, see <http://patents.dts.com>. Manufactured under license from DTS Licensing Limited. DTS, the Symbol, & DTS and the Symbol together are registered trademarks, and DTS Sound+ is a trademark of DTS, Inc. © DTS, Inc. All Rights Reserved.