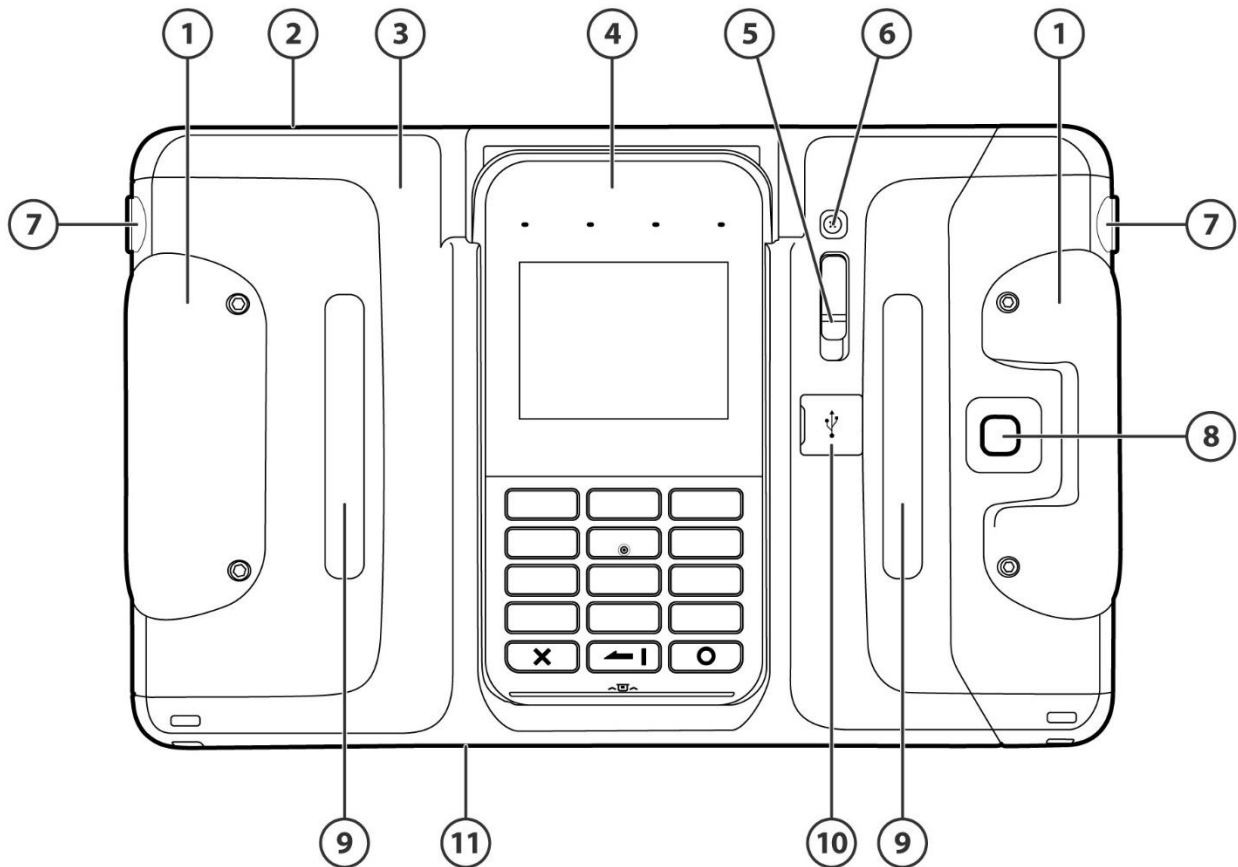


Components Overview

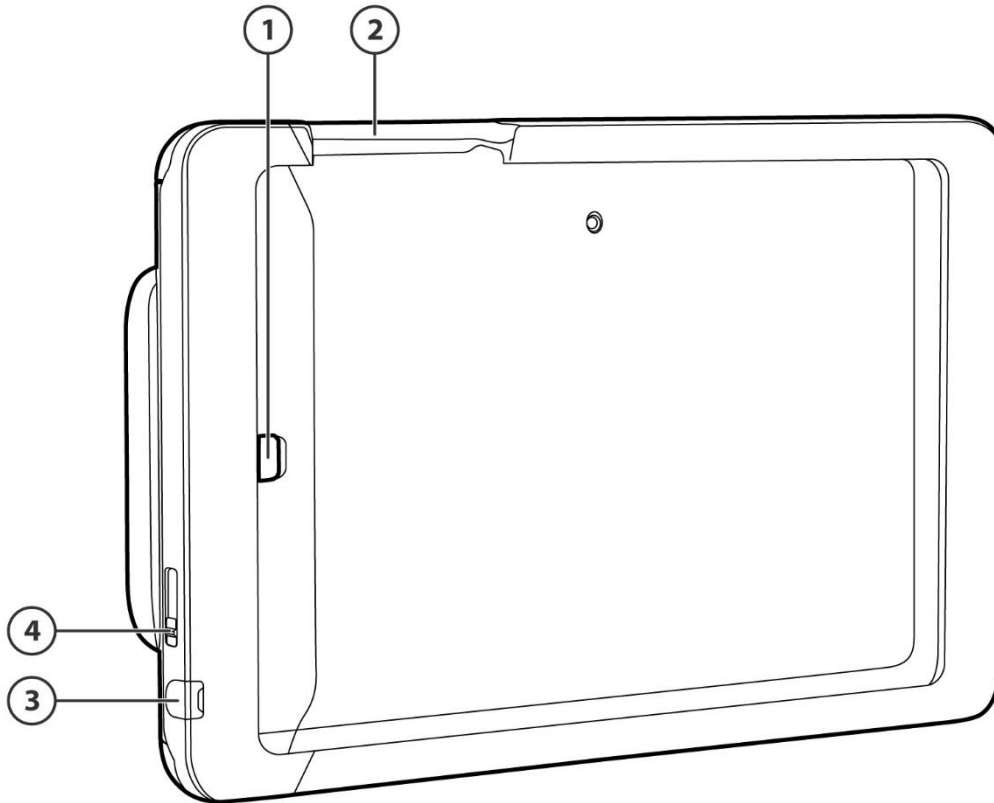
HP Pro Tablet Mobile Payment Solution



Rear View (Showing Verifone e355 mount)

1. Hand grips
2. HP Pro Tablet 608 G1 (inserted, not visible)
3. HP Payment Jacket
4. Optional Verifone e355 (sold separately by Verifone or an authorized Verifone reseller)
5. e355 eject lever
6. e355 locking screw
7. Shoulder strap connection points
8. Opening for tablet camera
9. Barcode scanner actuator buttons (barcode scanner is optional on Verifone e355)
10. Micro-USB connector for Verifone e355
11. Power supply connector

Components Overview



Front View

(Shown without ProTablet 608 G1, sold separately)

1. Open access for tablet camera
2. Open access to tablet power and volume buttons
3. Access to audio jack
4. Jacket release lever

Components Overview

HP Pro Tablet 608 G1

At A Glance

- Windows® 10 Pro, Windows® IoT 64, Windows® 8.1 Pro 64, Windows® Embedded Industry 8.1 64
- Intel® Atom™ x5-Z8550 with Intel® HD Graphics (1.44 GHz, up to 2.4 GHz using Intel Burst Technology, 2 MB cache, 4 cores)*
- 7.86-inch diagonal capacitive multi-touch, FHD QXGA BrightView WLED UWVA (2048 x 1536), featuring Corning® Gorilla® Glass 4, 4:3 Wide Aspect Ratio
- 4GB LPDDR3-1600 SDRAM
- 64GB SSD embedded Multi Media Card (eMMC)
- Micro SD Card Slot supported, expandable up to 2TB
- 802.11ac WiDi (2x2) Wi-Fi
- Bluetooth® 4.0 connectivity (combo card with Wifi)
- LTE/HSPA+ WWAN options available

NOTE: See important legal disclosures for all listed specs in their respective features sections.

*Multi-Core is designed to improve performance of certain software products. Not all customers or software applications will necessarily benefit from use of this technology. Intel's numbering is not a measurement of higher performance.

COMPATIBILITY

HP Payment Jacket

TOG21AA/TOG21AT

Verifone e355 multi-unit charger

Sold by Verifone or an authorized Verifone reseller

Verifone e355 mobile payment terminal

Sold by Verifone or an authorized Verifone reseller

Components Overview

HP Payment Jacket

KEY BENEFITS

- Allows you to connect a Verifone e355¹ payment device to the HP Pro Tablet 608 G1 in order to accept major methods of payment such as: credit cards, debit cards, EMV, contactless, NFC, and Apple Pay™.
 - Attachable hand grips and connection points for a shoulder strap²
 - Includes ergonomic barcode scan actuator buttons³
 - Compatible with the Verifone e355 multi-unit charger¹ which charges both the HP Pro Tablet 608 and the optional VeriFone e355, if housed in the jacket.
1. Sold by Verifone or an authorized Verifone reseller
 2. Sold separately
 3. Barcode functionality is contained within a Verifone e355 equipped with barcode scanner option. This is optional and sold by Verifone or an authorized Verifone reseller (scanner capability configurable as part of the Verifone e355 Mobile Payment Terminal).
-

DIMENSIONS AND WEIGHT

Dimensions (W X D X H)

247.67 x 34.34 x 149.36mm (landscape orientation, tablet included)
9.8 x 1.4 x 5.9 in

Weight (Grams, lbs.)

305g, 0.67lbs.

PORTS

- 1 Power connector
 - 1 8-PIN power Data connector
-

SERVICE AND SUPPORT

Each accessory carries a one-year limited warranty. Online technical support is available seven days a week, 24 hours a day. Certain restrictions and exclusions apply.

Technical Specifications

HP PRO TABLET 608 G1

OPERATIVE SYSTEM

Preinstalled

Windows 10 Pro for Small Tablets (64-bit)*

Windows 10 IoT Enterprise for Small Tablets (64-bit)*

Windows Embedded Industry 8.1 Pro (64-bit)*

Windows 8.1 Pro (64-bit)*

*Not all features are available in all editions or versions of Windows. Systems may require upgraded and/or separately purchased hardware, drivers, software or BIOS update to take full advantage of Windows functionality. Windows 10 is automatically updated, which is always enabled. ISP fees may apply and additional requirements may apply over time for updates. See <http://www.microsoft.com>.

PROCESSOR

Intel® Atom™ x5-Z8550 with Intel® HD Graphics (1.44 GHz, up to 2.4 GHz using Intel Burst Technology, 2 MB cache, 4 cores) *

*Chipset is integrated with processor. Multi-Core is designed to improve performance of certain software products. Not all customers or software applications will necessarily benefit from use of this technology. Intel's numbering is not a measurement of higher performance.

MEMORY

4 GB LPDDR3-1600 SDRAM (Transfer rates up to 1600 MT/s)

* Transfer rates up to 1600 MT/s. Onboard memory not customer accessible/upgradeable

STORAGE

Internal Storage Device

64GB embedded Multi Media Card (eMMC)*

Micro SD Card Slot supported

Supports SDXC microSD cards up to 2 TB **

* GB = 1 billion bytes. Actual formatted capacity is less.

Technical Specifications

DISPLAY

Internal

7.86-inch diagonal capacitive multi-touch, FHD QXGA BrightView WLED UWVA (2048 x 1536)

Features:

- 2048 x1536 High Definition (FHD)* resolution**
- Brightness (typical) - 450 nits (cd/m²)
- 326 PPI (Pixel Per Inch)
- 4:3 Wide Aspect Ratio (orientation agnostic)
- 10 point capacitive touch solution, Direct bonding
- Anti-Smudge with Corning® Gorilla® Glass 4

External

24-bit per pixel color depth

*High definition (HD) content is required to view high-definition images

**Resolutions are dependent upon monitor capability, and resolution and color depth settings.

GRAPHICS

Integrated Intel® HD Graphics

NETWORKING/COMMUNICATIONS

Integrated Wi-Fi*

Intel® Dual Band Wireless-AC 7265 802.11a/b/g/b/ac WiDi (2x2) WiFi and Bluetooth® 4.0 Combo

WWAN**

WWAN Foxconn NA-1-S3 LTE/EVDO/HSPA+ w/GPS M.2 (746479-002)

WWAN Huawei ME906E LTE/HSPA+ w/GPS M.2 (739797-002)

WWAN Huawei MU736 HSPA+ w/GPS M.2 (746700-002)

NFC

Near Field Communications

* Wireless access point and Internet service required and not included. Availability of public wireless access points limited.

**WWAN is an optional feature, requires factory configuration, and use requires separately purchased service contract. Check with service provider for coverage and availability in your area. Contact service provider to determine the coverage area and availability. Connection speeds will vary due to location, environment, network conditions, and other factors. 4G LTE not available on all products, in all regions.

Technical Specifications

AUDIO/MULTIMEDIA

Audio

HD audio
2 Front-facing Stereo Speakers
2 Integrated Audio Microphones
3.5mm Combo headphone/microphone jack*

*Headphones are sold separately

Cameras

2MP HD Front-facing camera
8MP rear-facing auto-focus without LED flash

Sensors

Accelerometer
eCompass
Gyroscope
Ambient light sensor
Hall effect
Haptics

POWER

Power Supply

15 W AC Charging Adapter

Battery

21 Whr lithium-polymer

INPUT/OUTPUT

Ports/connectors

- (1) USB port Type C™ (tablet)
- (1) 3.5mm Combo headphone/microphone jack*
- (1) Micro SD card slot** (tablet)
- (1) Docking port

*Headphones are sold separately

**Up to 2TB of expandable storage. Micro SD card sold separately

Technical Specifications

WEIGHT AND DIMENSIONS

Dimensions (W x D x H)	Tablet-only	207 x 8.35 x 137mm; 8.14 x 0.33 x 5.39 in (landscape orientation)
	Tablet + Jacket	247.67 x 34.34 x 149.36mm; 9.8 x 1.4 x 5.9 in
Weight*	Tablet-only	Starting at 360g (0.79 lbs.)
	Tablet + Jacket	Starting at 665g (1.46lbs.)

*Weight will vary by configuration

Technical Specifications

SYSTEM UNIT

Stand-Alone Power Requirements (AC Power)	Nominal Operating Voltage	100-240V, 50-60Hz
Temperature	Operating	32° to 104° F (0° to 40° C)
	Non-operating	-4° to 149° F (-20° to 65° C)
Relative Humidity	Operating	10% to 90%, non-condensing
	Non-operating	5% to 95%, 101.6° F (38.7° C) maximum wet bulb temperature
Shock	Operating	40 G, 2 ms, half-sine
	Non-operating	240 G, 2 ms, half-sine
Random Vibration	Operating	1.043 grms
	Non-operating	3.5 grms
Industry Standard Certifications	EMC Compliance - EU/FCC/IC	Yes
	CISPR 22 / EN 55022; CISPR 24 / EN 55024; FCC CFR 47 Part 15 / ICES-003	
	Safety Compliance - UL/CSA/CB	Yes
	IEC/CSA/UL/EN 60950-1	
	Telecom & SAR Compliance - EU/FCC/IC	Yes
	EN 300 328; EN 300 440; EN 301 489; EN 301 893; EN 301 908; EN 301; EN 60950-1; EN 62209; EN 62479; FCC 47 CFR Part 15.247; IC RSS102	
	WW - Compliance	Yes
	Americas, APJ, EMEA	

For accessibility information on HP products, please visit: <http://www.hp.com/accessibility>.

DISPLAY

Diagonal Size	7.86 inch
Refresh Rate	60Hz
Aspect Ratio	4:3 Wide Aspect Ratio
Format	2048 x 1536
Brightness (typical)*	450 nits (cd/m ²)
Pixels Per Inch	326 PPI

Technical Specifications

SOFTWARE AND SECURITY

Preinstalled Software with Windows Operating System

BIOS

Secure Erase¹
Measure Boot (Windows 8.1 only)
Secure Boot (Windows 8.1 only)

Communication

HP Mobile Connect (Windows 8.1 only)
HP Roaming Alert (Windows 8.1 only)
Native Miracast Support²

HP Value Add Software

HP ePrint Driver³
HP Unified Recovery Manager (Windows 8.1 and 10 only)
HP Registration App (Windows 8.1 only)
HP Support Assistant

Microsoft® Products

Buy Office
Bing Search
Skype⁴

Client Security Software

Absolute Persistence Module
HP Drive Encryption
HP Security Manager
Microsoft Defender (Windows 8.1 only)

Standard

TPM 1.2/2.0

NOTE: The Absolute Persistence agent is shipped turned off, and must be activated by customers when they purchase a subscription. Subscriptions can be purchased for terms ranging multiple years. Service is limited, check with Absolute for availability outside the U.S.

For more information on HP Client Security Software Suite, refer to <http://www.hp.com/go/clientsecurity>.

¹ For the methods outlined in the National Institute of Standards and Technology Special Publication 800-88.

² Miracast is a wireless technology your PC can use to project your screen to TVs, projectors, and streaming media players that also support Miracast. You can use Miracast to share what you're doing on your PC and present a slide show. For more information: <http://windows.microsoft.com/en-us/windows-8/project-wireless-screen-miracast>

³ Requires an Internet connection to HP web-enabled printer and HP ePrint account registration (for a list of eligible printers, supported documents and image types and other HP ePrint details, see <http://www.hp.com/go/businessmobileprinting>).

⁴ Skype is not offered in China.

⁵ Data is protected prior to Drive Encryption login. Turning the PC off or into hibernate logs out of Drive Encryption and prevents data access.

Technical Specifications

ENVIRONMENTAL DATA

Low Halogen*

ENERGY STAR® certified**

Mercury Free display backlights and arsenic-free display glass

All HP computing products are delivered by SmartWay carriers***

Recycled Packaging

Eligible for free recycling or cash back through HP's Planet Partners Recycling and Consumer Buyback programs (<http://www.hp.com/go/easybuyback>)****

Hewlett-Packard Corporate Environmental Information

For more information about HP's commitment to the environment:

Global Citizenship Report

<http://www.hp.com/hpinfo/globalcitizenship/gcreport/index.html>

Environment website: <http://www.hp.com/environment>

* External power supplies, power cords, cables and peripherals are not Low Halogen. Service parts obtained after purchase may not be Low Halogen.

** ENERGY STAR® is a registered trademark of the U.S. Environmental Protection Agency.

*** Designation based on actions to reduce transportation-related emissions. SmartWay: US only. (14e) Free recycling in select countries.

****Program may not be available in your area. Check <http://www.hp.com/go/recycling> to see if HP offers free recycling in your area

COUNTRY OF ORIGIN

China

Technical Specifications

SERVICE AND SUPPORT

1-year standard parts, labor and onsite limited warranty, depending on country; 1-year limited warranty on primary battery. Optional HP Care Pack Services are extended service contracts which go beyond your standard warranties. Service levels and response times for HP Care Packs may vary depending on your geographic location. Restrictions and limitations apply. Service starts at date of hardware purchase. For details, visit <http://www.hp.com/go/cpc>.

NOTE: Certain restrictions and exclusions apply. Consult the HP Customer Support Center for details.
<http://h20000.www2.hp.com/bizsupport/TechSupport/ProductRoot.jsp>

Accessories (sold separately and availability may vary by country)

<u>Type</u>	<u>Description</u>	<u>Part #</u>
Cases / Covers / Protection	HP Pro 8 Bluetooth® Keyboard Case	K4U64AA
	HP Rugged Tablet Shoulder Strap	L8L92AA
	HP Retail Case Shoulder Strap	K7T92AA
3rd party	3 Bay Charging Dock 3PO e355 PED 3PO	
Power / Adapters	HP Quick Charge 18W AC Tablet Adapter	K4Q78AA
Input / Output	HP Pro Tablet 608 Active Pen G1	N9D47AA
Cleaning	HP Tablet Cleaning Kit	K6F99AA

Summary of Changes

Date of change:	Version History:		Description of change:
March 25, 2015	From v1 to v2	Added	Options and Accessories new category
		Changed	x5-Z8550 new processor, Key benefits disclaimer, Weight nomenclature, Memory and Storage options; Service and Support section.
		Removed	Accessories section SKUs for Cases, Dock, Adapters, and Input

Copyright © 2015, 2016 HP Development Company, L.P. The information contained herein is subject to change without notice. The only warranties for HP products are set forth in the express limited warranty statements accompanying such products. Nothing herein should be construed as constituting an additional warranty. HP shall not be liable for technical or editorial errors or omissions contained herein.

Intel and Atom are registered trademarks or trademarks of Intel Corporation in the U.S. and/or other countries. Bluetooth is a trademark of its proprietor and used by HP Inc. under license. Microsoft and Windows are U.S. registered trademarks of the Microsoft group of companies. ENERGY STAR® is a registered mark owned by the U.S. government. USB Type-C™ and USB-C™ are trademarks of USB Implementers Forum. SD, SDXC, and microSD, are trademarks or registered trademarks of SD-3C in the United States, other countries or both..