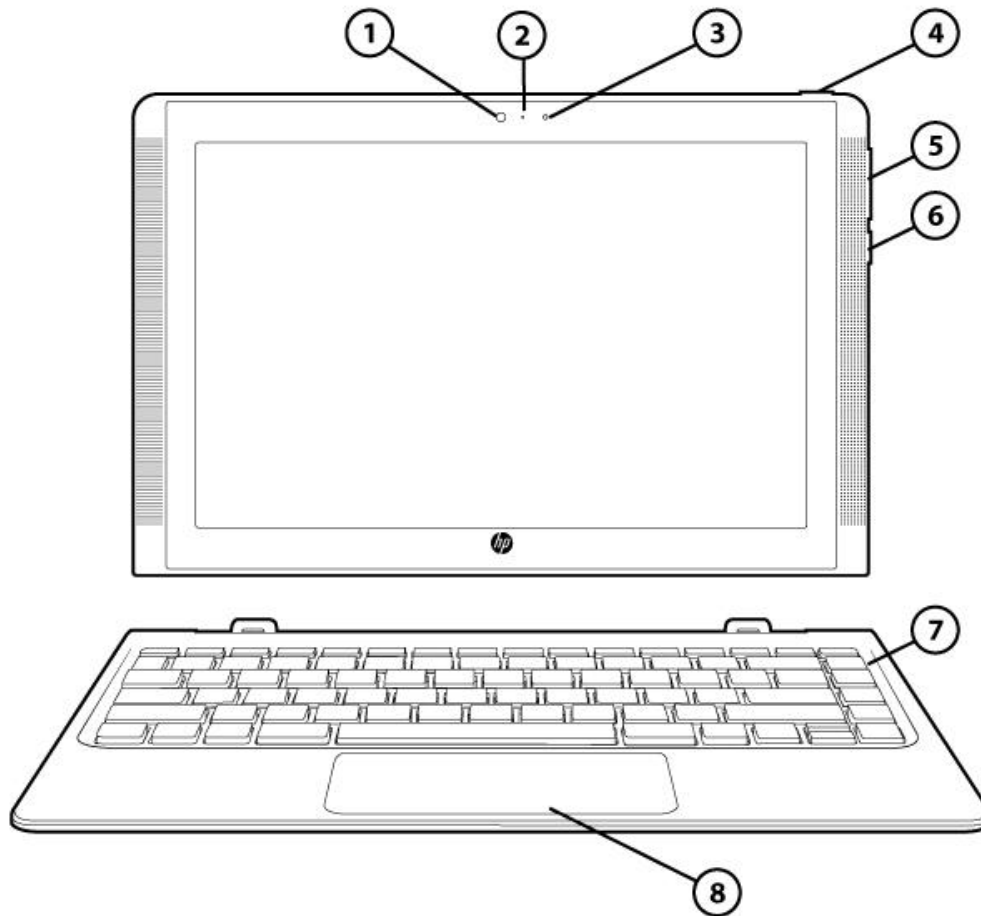


### Overview

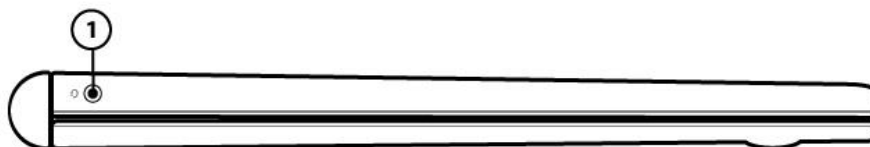
### HP x2 210 Detachable PC



#### Front Tablet View

- |                                 |                        |
|---------------------------------|------------------------|
| 1. 2 MP front facing FHD Webcam | 5. Volume control      |
| 2. Front-facing camera LED      | 6. Home button         |
| 3. Mic                          | 7. Detachable keyboard |
| 4. Power button                 | 8. Touchpad            |

### Overview



#### Left side view

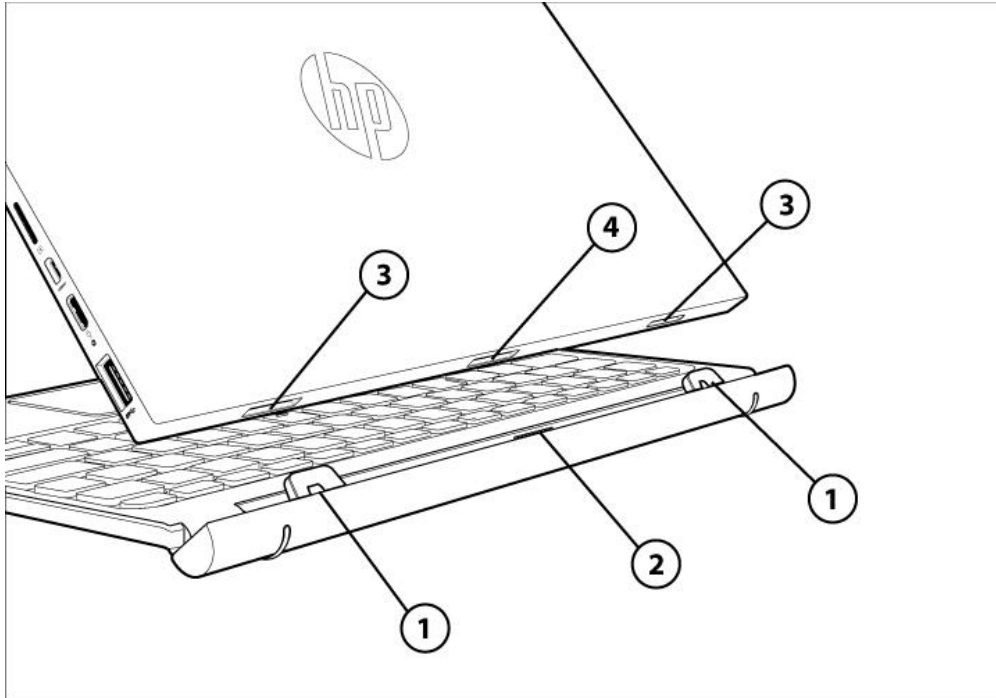
1. Stereo headphone-out/mic-in combo jack



#### Right side view

- |                   |                          |
|-------------------|--------------------------|
| 1. Volume control | 5. USB-C / Charging port |
| 2. Home button    | 6. Power LED             |
| 3. SD slot        | 7. USB 3.0 port          |
| 4. HDMI port      |                          |

### Overview



**Back view with detachable keyboard**

- |              |                       |
|--------------|-----------------------|
| 1. Guide pin | 3. Guide pin slot     |
| 2. Pogo pin  | 4. Pogo pin connector |

### Overview

### At A Glance

- An affordable 2 in1 designed to tablet-class thinness, featuring five flexible positions for comfort and productivity
- Windows 10 Pro 64-Bit
- Intel® Atom™ x5 Quad-Core Processor Z8300
- Integrated Intel® Generation 8 Graphics
- 10.1" diagonal WXGA AG WLED (1280x800) UWVA (Ultra-slim), 16:10 Ultra Wide Aspect Ratio IPS
- Up to 4 GB of memory
- 19.84 mm thin
- Starting weight for Tablet only .59Kg/1.3 lbs
- Starting weight with Keyboard 1.2Kg / 2.6 lbs
- 93% Hard magnetic keyboard base with full travel, plus 135° reflex hinge for a wide range of stable, balanced display positions
- Audio by Bang & Olufsen, integrated front-facing stereo speakers, and HD web camera
- Up to 64 GB eMMC storage
- Multitouch gestures enabled for clickpad
- Security features include fTPM2.0
- Wireless connectivity: WLAN 802.11 ac
- Standard commercial 1 year limited warranty. Optional HP Care Packs also available.

**NOTE: See important legal disclosures for all listed specs in their respective features sections.**

### Features

#### PRODUCT NAME

HP x2 210 Detachable PC

#### OPERATING SYSTEM

<b>Preinstalled<sup>1</sup></b>	Windows 10 Home 64 <sup>1</sup> Windows 10 Pro 64 <sup>1</sup>
<b>Web Support</b>	Windows 10 Pro (National Academic only) <sup>1</sup>  Windows 10 Home 64 <sup>1</sup> Windows 10 Pro 64 <sup>1</sup> Windows 8.1 Pro 64 <sup>1</sup> Windows 10 Pro (National Academic only) <sup>1</sup>

1. Not all features are available in all editions or versions of Windows. Systems may require upgraded and/or separately purchased hardware, drivers, software or BIOS update to take full advantage of Windows functionality. Windows 10 is automatically updated, which is always enabled. ISP fees may apply and additional requirements may apply over time for updates. See <http://www.microsoft.com>.

#### PROCESSOR

Intel® Atom x5 Quad-Core Z8300 (1.44 GHz, 4 cores)<sup>1</sup>

1. Multi-Core is designed to improve performance of certain software products. Not all customers or software applications will necessarily benefit from use of this technology. 64-bit computing system required. Performance will vary depending on your hardware and software configurations. Intel's numbering is not a measurement of higher performance.

#### CHIPSET

Intel® HM65 Express Chipset

##### SoC

##### Sensor Hub with EC

Ambient light sensor  
Accelerometer  
Hall sensor

##### Supported Features

EFI Architecture BIOS - Insyde  
Touch Support  
Supported lang table US English, FR French, SP Spanish, TC T-Chinese and S-Chinese  
Peak shift (for Japan)  
Connected Standby

#### GRAPHICS

Intel® Generation 8 Graphics and media encode/decode engine

Support:  
Dynamic Graphics Frequency

### Features

DX11.1  
OpenGL 3.X  
OpenCL 2.0

### DISPLAY

#### Internal

10.1" diagonal WXGA Anti-glare WLED (1280 x 800) UWVA Ultra-Slim MIPI

- 16:10 Ultra Wide Aspect Ratio IPS
- 250 nits
- 10-finger multi touch, capacitive
- Supports active pen
- Full Win10 touch/pen compliance

### STORAGE

#### Embedded Multi Media Card (eMMC) on Tablet

32 GB (V5.0)  
64 GB (V5.0)

#### Expandable Card Expansion on Tablet

Micro SD Card Slot  
Push-Push socket: Up to 2 TB by OS  
Support SD 3.0

### MEMORY

LPDDR3-1600 (Transfer rates up to 1600 MT/s)  
2 GB or 4 GB  
On board  
Non-accessible  
Not upgradeable

### NETWORKING/COMMUNICATIONS

#### Wireless LAN (WLAN)

Intel® Dual Band Wireless-AC 7265 802.11a/b/g/n/ac (2x2)7 and Bluetooth® 4.0 Combo (Miracast supported)

1. [Wireless access point and Internet service is required and is not included. Availability of public wireless access points limited.](#)

### AUDIO/MULTIMEDIA

#### Audio

Audio by Bang & Olufsen  
Support: D3 mode and HP clear voice feature  
Dual Speakers  
Support Voice recognition

### Features

#### Web Camera

One Fixed Integrated Web Camera<sup>1</sup>

- Front: 720P Fixed Focus (1280 x 720) @30fps - MIPI interface w/o LED and Mic
- Dual array Digital Microphones w/ appropriate software

1. [Wireless access point and Internet service is required and is not included. Availability of public wireless access points limited.](#)

### KEYBOARDS/POINTING DEVICES/BUTTONS & FUNCTION KEYS

#### Keyboard and clickpad

93% Island style thin cover keyboard (1.5mm travel distance) with image sensor clickpad

135° latchless, magnetic hinge

Multitouch gestures enabled for clickpad

10 PIN Pogo-pin docking connector connect to slate

#### Pointing Devices

HP Active Pen<sup>1</sup>

1. [Sold separately or as an optional feature.](#)

#### Buttons

Power

Volume Up

Volume Down

Windows Start/Home

#### LED Indicators

##### Tablet

Charging Status

Webcam

##### Keyboard

Caplock

mute

### SOFTWARE AND SECURITY

#### Information and Productivity

Adobe Shockwave Player

iPass (APJ Only)

The Weather Channel

Netflix

Hearts Deluxe

Amazon

TripAdvisor

Microsoft Office Universal

Internet Explorer Home

Bing

Windows 10 Welcome App

#### HP Value Added Software

HP ePrint<sup>1</sup>

### Features

HP Touchpoint Manager  
HP AC Power Control  
HP PC Hardware Diagnostics UEFI  
HP Setup Integrated OOBE  
HP Recovery Manager  
HP Support Assistant<sup>2</sup>  
HP Recovery Media (SSRU/SSRD)  
HP System Event Utility  
HP User Guide with Warranty Documentation  
HP Retail Demo Loop  
HP BIOSphere

#### Security

fTPM2.0  
Avast Secureline VPN

1. HP ePrint requires an internet connection to HP web-enabled printer and HP ePrint account registration (for a list of eligible printers, supported documents and image types and other HP ePrint details, see [www.hp.com/go/businessmobileprinting](http://www.hp.com/go/businessmobileprinting)).
2. Internet access required.

### POWER

#### Power Supply

15W USB Type-C AC adapter with localized cable plug support

#### Power Cord

Duckhead

#### Primary Battery (Tablet)

Lithium Polymer battery (33Whr) Nominal) 1S2P

#### Battery life

11 hours<sup>1</sup>

#### System Standby Time

TBD

1. Windows 10/MM14 battery life will vary depending on various factors including product model, configuration, loaded applications, features, use, wireless functionality, and power management settings. The maximum capacity of the battery will naturally decrease with time and usage. See [www.bapco.com](http://www.bapco.com) for additional details.

### WEIGHTS & DIMENSIONS

#### Weight

##### Tablet only

.59Kg/1.3lbs

##### Tablet with Keyboard

1.2Kg / 2.6lbs

#### Dimensions – Tablet only

(w x d x h)

264 x 173 x 9.65 mm

10.39 x 6.81 x .38 in



### Features

**Dimensions** –Tablet with Keyboard

264 x 182.6 x 19.84 mm

10.39 x 7.19 x .77 in

**NOTE:** Height varies depending upon where on the notebook the measurement is made.  
Weight varies by configuration and components.

### PORTS/SLOTS

**Tablet**

1 USB 3.0

1 USB-C™ 2.0 (Data transfer + Charging)

1 Headphone / Microphone in Combo Jack

1 MicroHDMI v1.4 output (support up to 2048 x 1024 @ 60Hz)

1 Pogo-pin (10-pin) docking connector

**Slots**

1 MicroSD slot

### SERVICE AND SUPPORT

HP 1 year limited warranty. 1-year limited warranty on primary battery. On-site service and optional extended service contracts are also available. Optional<sup>1</sup> HP Care Packs<sup>2</sup> are extended service contracts which go beyond your standard limited warranties. For more details visit: <http://www.hp.com/go/lookuptool>.

1. Sold separately or as an optional feature.
2. Service levels and response times for HP Care Packs may vary depending on your geographic location. Service starts on date of hardware purchase. Restrictions and limitations apply. HP services are governed by the applicable HP terms and conditions of service provided or indicated to Customer at the time of purchase. Customer may have additional statutory rights according to applicable local laws, and such rights are not in any way affected by the HP terms and conditions of service or the HP Limited Warranty provided with your HP Product. To choose the right level of service for your HP product, use the HP Care Pack Services Lookup Tool at: <http://www.hp.com/go/cpc>.

### Features

## NETWORKING/COMMUNICATIONS

Intel® 3165NGWG 802.11ac (1x1) + Bluetooth® 4.0 LE PCIe+USB NGFF 2230 WW

<b>Wireless LAN Standards</b>	<ul style="list-style-type: none"> <li>IEEE 802.11a</li> <li>IEEE 802.11b</li> <li>IEEE 802.11g</li> <li>IEEE 802.11n</li> <li>IEEE 802.11ac</li> </ul>
<b>Interoperability Frequency Band</b>	<p>Wi-Fi certified 802.11b/g/n</p> <ul style="list-style-type: none"> <li>• 2.402 – 2.482 GHz</li> </ul> <p>Note: The FCC has declared as of January 1, 2015 products that utilize passive scanning on channel 12/13 and are capable of transmitting must fully comply with requirements of 15.247 or otherwise disable those channels.</p> <p>802.11a/n</p> <ul style="list-style-type: none"> <li>• 4.9 – 4.95 GHz (Japan)</li> <li>• 5.15 – 5.25 GHz</li> <li>• 5.25 – 5.35 GHz</li> <li>• 5.47 – 5.725 GHz</li> <li>• 5.825 – 5.850 GHz</li> </ul> <p>Note: Indonesia only supports 5.725 - 5.825 GHz (CH149 - CH161)</p>
<b>Data Rates</b>	<ul style="list-style-type: none"> <li>• 802.11b: 1, 2, 5.5, 11 Mbps</li> <li>• 802.11g: 6, 9, 12, 18, 24, 36, 48, 54 Mbps</li> <li>• 802.11a: 6, 9, 12, 18, 24, 36, 48, 54 Mbps</li> <li>• 802.11n: MCS 0 ~ MCS 15, (20MHz, and 40MHz)</li> <li>• 802.11ac : MCS0 ~ MCS7, (1SS) (20MHz, 40MHz, and 80MHz)</li> </ul>
<b>Modulation</b>	<p>Direct Sequence Spread Spectrum BPSK, QPSK, CCK, 16-QAM, 64-QAM, 256-QAM</p>
<b>Security<sup>1</sup></b>	<ul style="list-style-type: none"> <li>• IEEE and WiFi compliant 64 / 128 bit WEP encryption for a/b/g mode only</li> <li>• AES-CCMP: 128 bit in hardware</li> <li>• 802.1x authentication</li> <li>• WPA, WPA2: 802.1x. WPA-PSK, WPA2-PSK, TKIP, and AES.</li> <li>• WPA2 certification</li> <li>• IEEE 802.11i</li> <li>• Cisco Certified Extensions, all versions through CCX4 and CCX Lite</li> <li>• WAPI</li> </ul>
<b>Network Architecture Models Roaming</b>	<p>Ad-hoc (Peer to Peer) Infrastructure (Access Point Required) IEEE 802.11 compliant roaming between access points</p>

### Features

<b>Output Power<sup>2</sup></b>	<ul style="list-style-type: none"> <li>• 802.11b : +16dBm minimum</li> <li>• 802.11g : +14dBm minimum</li> <li>• 802.11a : +14dBm minimum</li> <li>• 802.11n HT20(2.4GHz) : +13dBm minimum</li> <li>• 802.11n HT40(2.4GHz) : +13dBm minimum</li> <li>• 802.11n HT20(5GHz) : +12dBm minimum</li> <li>• 802.11n HT40(5GHz) : +12dBm minimum</li> <li>• 802.11ac 80MHz(5GHz) : +11dBm minimum</li> </ul>
<b>Power Consumption</b>	Transmit: 2.0 W (max) Receive: 1.6 W (max) Idle mode (PSP): 180 mW (WLAN Associated) Idle mode: 60 mW (WLAN unassociated) Radio disabled: 30 mW
<b>Power Management</b>	ACPI and PCI Express compliant power management
<b>Receiver Sensitivity<sup>3</sup></b>	802.11 compliant power saving mode 802.11b, 1Mbps : -94dBm maximum 802.11b, 11Mbps : -86dBm maximum 802.11g, 6Mbps : -88dBm maximum 802.11g, 54Mbps : -74dBm maximum 802.11a, 6Mbps : -86dBm maximum 802.11a, 54Mbps : -72dBm maximum 802.11n, MCS07 : -69dBm maximum 802.11n, MCS15 : -66dBm maximum 802.11ac, 1SS, MCS-0 : -86dBm maximum 802.11ac, 1SS, MCS-9 : -61dBm maximum 802.11ac, 2SS, MCS-0 : -83dBm maximum 802.11ac, 2SS, MCS-9 : -58dBm maximum
<b>Antenna type</b>	High efficiency antenna with spatial diversity, mounted in the display enclosure  Two embedded dual band 2.4/5 GHz antennas are provided to the card to support WLAN MIMO communications and Bluetooth communications
<b>Form Factor</b>	PCI-Express M.2 MiniCard
<b>Dimensions</b>	Type 2230 : 2.3 x 22.0 x 30.0 mm Or Type 1630 : 2.3 x 16.0 x 30.0 mm
<b>Weight</b>	Type 2230 : 2.8g Or Type 1630 : 2g
<b>Operating Voltage</b>	3.3v +/- 9%
<b>Temperature</b>	Operating 14° to 158° F (-10° to 70° C) Non-operating -40° to 176° F (-40° to 80° C)
<b>Humidity</b>	Operating 10% to 90% (non-condensing) Non-operating 5% to 95% (non-condensing)
<b>Altitude</b>	Operating 0 to 10,000 ft (3,048 m) Non-operating 0 to 50,000 ft (15,240 m)
<b>LED Activity</b>	LED Amber – Radio OFF; LED White – Radio ON
	<ol style="list-style-type: none"> <li>1. Check latest software/driver release for updates on supported security features.</li> <li>2. Maximum output power may vary by country according to local regulations.</li> </ol>

### Features

- Receiver sensitivity is measured at a packet error rate of 8% for 802.11b (CKK modulation) and a packet error rate of 10% for 802.11a/g (OFDM modulation).

#### HP Integrated Module with Bluetooth 4.0+EDR Wireless Technology

<b>Bluetooth Specification</b>	4.0+EDR Compliant												
<b>Frequency Band</b>	2402 to 2480 MHz												
<b>Number of Available Channels</b>	79 (1 MHz) available channels												
<b>Data Rates and Throughput</b>	3 Mbps data rate; throughput up to 2.17 Mbps Synchronous Connection Oriented links up to 3, 64 kbps, voice channels Asynchronous Connection Less links 2178.1 kbps/177.1 kbps asymmetric or 1306.9 kbps symmetric												
<b>Transmit Power</b>	The Bluetooth component shall operate as a Class II Bluetooth device with a maximum transmit power of +4 dBm for BR and EDR.												
<b>Receiver Sensitivity</b>	<table border="1"> <thead> <tr> <th>Modulation</th> <th>0.01% BER</th> <th>0.001% BER</th> </tr> </thead> <tbody> <tr> <td>GFSK</td> <td>-80 dBm</td> <td>-70 dBm</td> </tr> <tr> <td><math>\pi/4</math>-DQPSK</td> <td>-80 dBm</td> <td>-70 dBm</td> </tr> <tr> <td>8DPSK</td> <td>-80 dBm</td> <td>-70 dBm</td> </tr> </tbody> </table>	Modulation	0.01% BER	0.001% BER	GFSK	-80 dBm	-70 dBm	$\pi/4$ -DQPSK	-80 dBm	-70 dBm	8DPSK	-80 dBm	-70 dBm
Modulation	0.01% BER	0.001% BER											
GFSK	-80 dBm	-70 dBm											
$\pi/4$ -DQPSK	-80 dBm	-70 dBm											
8DPSK	-80 dBm	-70 dBm											
<b>Power Consumption</b>	Peak (Tx) 330 mW Peak (Rx) 230 mW Selective Suspend 17 mW												
<b>Range</b>	Up to 33 ft (10 m)												
<b>Electrical Interface</b>	USB 2.0 compliant												
<b>Bluetooth Software Supported</b>	Microsoft Windows Bluetooth Software												
<b>Link Topology</b>													
<b>Electrical Interface</b>	Point to Point, Multipoint Pico Nets up to 7 slaves												
<b>Bluetooth Software Supported</b>	Full support of Bluetooth Security Provisions												
<b>Security</b>													
<b>Power Management</b>	Microsoft Windows ACPI, and USB Bus Support												
<b>Power Management</b>	Self-configurable to optimize power conservation in all operating modes, including Standby, Hold, Park, and Sniff												
<b>Certifications</b>	All necessary regulatory approvals for supported countries, including: FCC (47 CFR) Part 15C, Section 15.247 & 15.249												
<b>Security</b>													
<b>Certifications</b>													
<b>Bluetooth Profiles Supported</b>													
<b>Power Management</b>	ETS 300 328, ETS 300 826												
<b>Certifications</b>	Low Voltage Directive IEC950 UL, CSA, and CE Mark Serial Port Profile (SPP) <sup>1</sup> Service Discovery Application Profile (SDAP) Dial-Up Networking (DUN) <sup>1,2</sup> Generic Object Exchange Profile (GOEP) <sup>1,2</sup> Object Push Profile (OPP) <sup>1,2</sup> File Transfer Profile (FTP) Synchronization Profile (SYNC) Hard Copy Cable Replacement (HCRP) <sup>1,2</sup> Personal Area Networking Profile (PAN) <sup>1,2</sup> Human Interface Device Profile (HID) <sup>1,2</sup> FAX Profile (FAX) Basic Imaging Profile (BIP) <sup>2</sup> Headset Profile (HSP) Hands Free Profile (HFP) Advanced Audio Distribution Profile (A2DP)												
<b>Certifications</b>													
<b>Bluetooth Profiles Supported</b>													

### Features

#### **COUNTRY OF ORIGIN**

China

#### **ENVIRONMENTAL**

ENERGY STAR® 6.1

EPEAT® Silver

RoHS 2 Compliant

MSH/OBL Compliant

### Summary of Changes

Type	Description	Part number
Input/Output - Adapters	Micro HDMI to HDMI/VGA Adapter	K8E31AA
	HP USB 3.0 to Gigabit Adapter	N7P47AA
Input/Output - Mice	HP Ultra Mobile Wireless Mouse	H6F25AA
	HP X4000b Bluetooth Mouse	H3T50AA
	HP Slim Bluetooth Mouse	F3J92AA
	HP Ultrathin Wireless Mouse	L9V78AA
	HP Ultrathin Wireless Mouse SE	L9V77AA
	HP Ultra Mobile Wireless Mouse	H6F25AA
Input/Output - Pen	HP Pro Tablet 408 Active Pen	K8P73AA
Power-Adapter	HP 15W USB Type-C AC Adapter	N2L83AA
Other - Audio	HP Business Headset	K7V17AA
Other - WiDi Adapter	HP Wireless Presenter Adapter	J1V25AA

©Copyright 2015 HP Development Company, L.P. The information contained herein is subject to change without notice. The only warranties are contained in the limited warranty statements accompanying such products and services. Nothing herein should be construed as constituting an additional warranty. HP shall not be liable for technical or editorial errors or omissions contained herein. Bluetooth is a trademark of its proprietor used by HP Inc. under license. ENERGY STAR is a registered trademark of the U.S. Environmental Protection Agency. Intel and Core are trademarks of Intel Corporation in the U.S. and other countries. Microsoft and Windows are either registered trademarks or trademarks of Microsoft Corporation in the United States and/or other countries. For DTS patents, see <http://patents.dts.com>. Manufactured under license from DTS Licensing Limited. DTS, the Symbol, & DTS and the Symbol together are registered trademarks, and DTS Sound is a trademark of DTS, Inc. © DTS, Inc. All Rights Reserved.