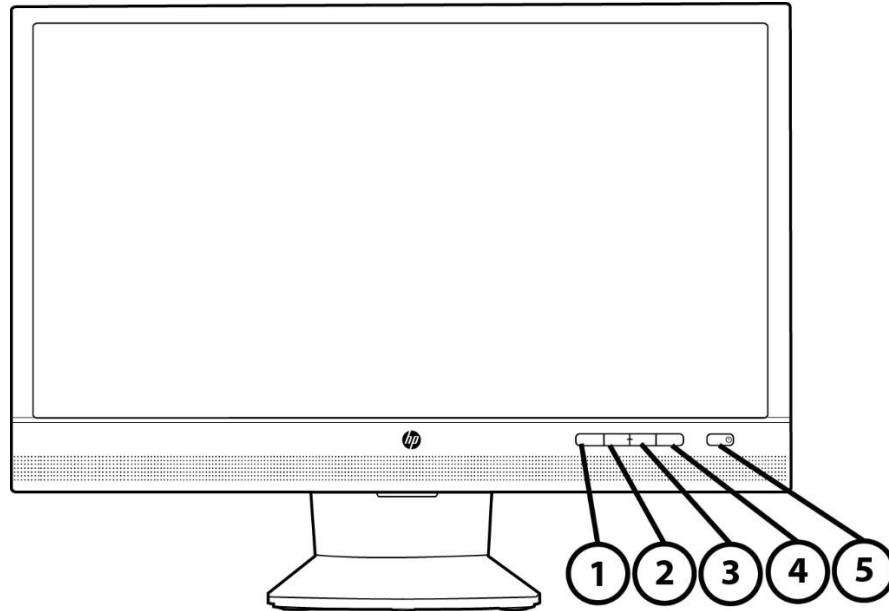


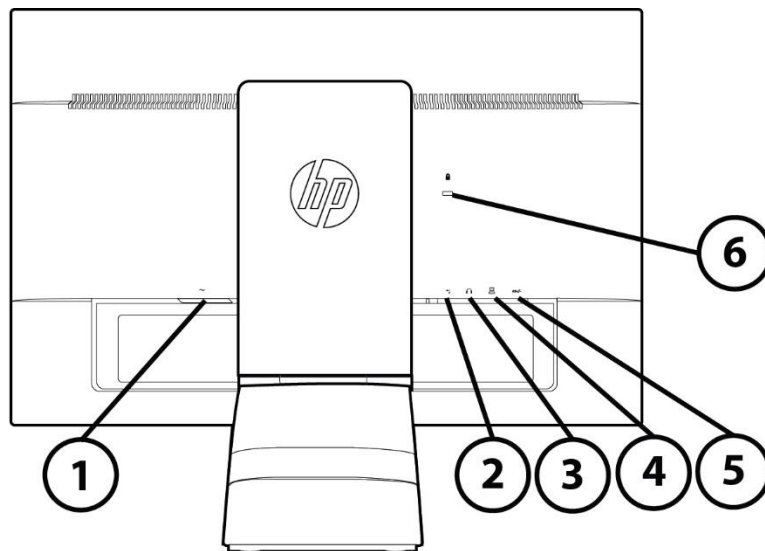
Overview

HP EliteDisplay E220t Touch Monitor



- 1. Menu button
- 2. Minus ("-")
- 3. Plus ("+") /Source

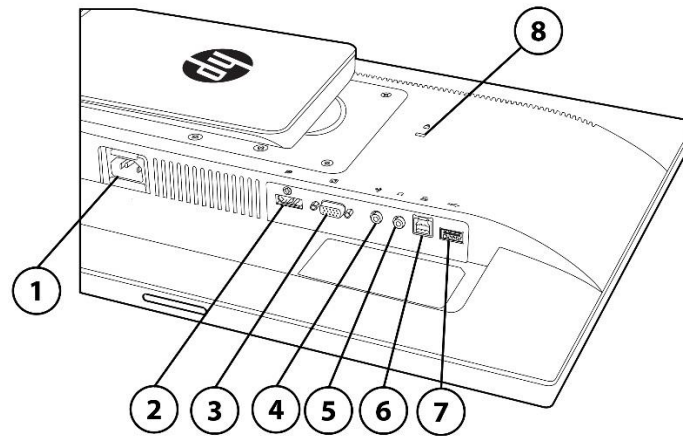
- 4. OK/Auto,
- 5. Power button and LED



- 1. Power connector
- 2. Audio input
- 3. Audio output

- 4. USB 3.0 upstream
- 5. USB 3.0 downstream
- 6. Security lock slot

Overview



- | | | | |
|-----------|-------------------|-----------|--------------------|
| 1. | Power connector | 5. | Audio output |
| 2. | DisplayPort v 1.2 | 6. | USB 3.0 upstream |
| 3. | VGA | 7. | USB 3.0 downstream |
| 4. | Audio input | | |
-

Overview

Overview

Make the most of your interactive environments with the HP EliteDisplay E220t Touch Monitor, which has 10-point touch, Full HD, adjustable comfort, device connectivity, and integrated audio.

Key features:

- Share your Full HD screen, consistent image, and superb color integrity with everyone in the room.
- Get an intuitive 10-point touch experience that is certified for Windows 10.
- Place this edge-to-edge, easy-to-clean display in high-traffic areas without worry.
- Enjoy rich dual-speaker stereo audio without the clutter and cabling of separate hardware.
- Find your most comfortable viewing position with customizable adjustments.
- Connect the display to your PC or notebook and experience all Windows 10 has to offer.
- Add your frequently-used devices with a range of ports.
- Free up desk space with mounting options¹ enabled by the 100-mm VESA pattern, or select the head-only model² if you don't need a stand.
- Design the screen for how you work with HP Display Assistant software.
- Reduce power consumption and help lower your costs with an energy-efficient design.
- Rest assured with a three-year standard limited warranty, and extend your protection with optional HP Care Packs.²

¹ Options sold separately. Head-only monitor sold separately and availability may vary by region.

² Sold separately. Service levels and response times for HP Care Packs may vary depending on your geographic location. Service starts on date of hardware purchase. Restrictions and limitations apply. For details, visit www.hp.com/go/cpc. HP Services are governed by the applicable HP terms and conditions of service provided or indicated to Customer at the time of purchase. Customer may have additional statutory rights according to applicable local laws, and such rights are not in any way affected by the HP terms and conditions of service or the HP Limited Warranty provided with your HP Product.

Technical Specifications

Model: L4Q76AA

| | | |
|--|--|---|
| Panel | Type | 21.5 in VA w/LED backlight and projective capacitive touch |
| | Viewable Image Area (diagonal) | 54,61 cm (21.5-inch) widescreen; diagonally measured |
| | Panel Active Area (W × H) | 476,064 x 267,786 mm (18.74 x 10.54 in) |
| | Resolution | 1920 x 1080 @ 60 Hz |
| | Aspect Ratio | 16:9 |
| | Viewing Angle* | Up to 178° horizontal/178° vertical typical |
| | Brightness* | 250 cd/m ² |
| | Contrast Ratio (Typical)* | 3000:1 Static; 5,000,000:1 Dynamic (DCR) |
| | Response Times* | 8 ms gray to gray |
| | Pixel Pitch* | 0.24795 (H) x 0.24795 (V) |
| | Pixels Per Inch (PPI)* | 102.44 |
| | Backlight Lamp Life (to half brightness)* | 30,000 hours minimum |
| | Color Support* | Up to 16.7 million colors with the use of FRC technology |
| | Color Gamut (Typical)* | 72% |
| <p>* Performance specifications represent the typical specifications provided by HP's component manufacturers; actual performance may vary either higher or lower.</p> | | |
| User Controls | Buttons or Switches | Menu, Minus ("-"), Plus ("+"), OK, Power |
| | Languages | 10 (English, Spanish, German, French, Italian, Netherlands, Brazilian Portuguese, Japanese, T-Chinese and S-Chinese) |
| | On Screen Display (OSD) User Controls | Brightness, Contrast, Color Control, Input Control, Image Control, Power Control, OSD control, Management, Language, Factory Reset, Input Control |
| Signal Interface/ Performance | Horizontal Frequency | 30 - 80 kHz |
| | Vertical Frequency | 50 - 60 Hz |
| | Native Resolution | 1920 x 1080@60Hz |
| | Preset Graphic Modes (non-interlaced) | 640 x 480 @ 60Hz |
| | | 800 x 600 @ 60 Hz |
| 1024 x 768 @ 60 Hz | | |
| 1280 x 720 @ 60 Hz | | |
| 1280 x 800 @ 60 Hz | | |
| | 1280 x 1024 @ 60 Hz | |
| | 1440 x 900 @ 60 Hz | |
| | 1600 x 900@ 60 Hz | |
| | 1680 x 1050 @ 60 Hz | |
| | 1920 x 1080 @ 60 Hz | |

Technical Specifications

| | | | | |
|--|--|---|--|---|
| | Maximum Pixel Clock Speed | 170 MHz | | |
| | Anti-Glare | Yes | | |
| Video/Other Inputs | Plug and Play | Yes | | |
| | Input Connectors | (1) VGA, (1) DisplayPort 1.2 HDCP support on DisplayPort and VGA | | |
| | USB | Yes, (2) USB 3.0 (one downstream and one upstream) | | |
| | Cables Included | VGA, DisplayPort 1.2, Audio All cables 1.8 m (5.9 ft) | | |
| | Audio | Yes-1 Audio in and output; 1W/channel built-in speakers | | |
| Multimedia | Speakers | Yes | | |
| Touchscreen Specifications | Touch Panel Type | Electrostatic Projection | | |
| | Hardness Rating | 6H | | |
| | Positional Accuracy | ±1.0 mm for all areas of touchable active area | | |
| | Resolution Accuracy | 1920 x 1080 | | |
| | Touch Activation Force | N/A | | |
| | Optical Light Transmission (per ASTM D1003) | Normal Glass: 88% | | |
| | Electrostatic Projection (per EN6100-4-2, 1955) | Air +/- 15KV , Contact +/- 8KV | | |
| Power | Power Supply | Internal | | |
| | Input Power | 100 - 240 VAC 50/60 Hz | | |
| | Maximum Power | 35 W | | |
| | Typical Power | 28 W | | |
| | Sleep Power | 0.5 W (standby) | | |
| | Power Cable Length | 1.9 m | | |
| | Mechanical | Dimensions (W x D x H) | Unpacked w/stand | 50,51 x 24,29 x 46,41 cm (19.9 x 9.57 x 18.29 in) |
| Unpacked w/o stand (head only) | | | 50,51 x 5.64 x 33,62 cm (19.9 x 2.22 x 13.25 inch) | |
| Packaged | | | 59 x 18,4 x 51,3 cm (23.25 x 7.25 x 20.21 in) | |
| Weight | | Head Only | 4 kg (8.82 lb) | |
| | | Unpacked with stand | 6,1 kg (13.45 lb) | |
| | | Packaged | 7,9 kg (17.42 lb) | |
| Detachable Stand | | Yes | | |

Technical Specifications

| | | |
|--|------------------------------------|---------------------------------------|
| Ergonomic Features | Height Adjustment | 150 mm |
| | Tilt Range | -5° to +30° |
| | Swivel | Yes, 360° |
| | Pivot | Yes, 90° |
| Environmental | Temperature - Operating | 5° to 35° C (41° to 95° F) |
| | Temperature - Non-operating | -20° to 60° C (-4° to 140° F) |
| | Humidity - Operating | 20% to 80% non-condensing |
| | Humidity - Non-operating | 5% to 95% |
| | Altitude - Operating | 0 to 5,000 m (0 to 16,400 ft) |
| | Altitude - Non-operating | 0 to 12,192 m (0 to 40,000 ft) |
| | White LED Backlights | Yes |
| | CCFL Panel | No |
| | Arsenic-Free Display Glass | Yes |
| | Low Halogen¹ | Yes |
| Mercury-Free Display Backlighting | Yes, Mercury-free LED backlighting | |

Eco-Label Certifications & declarations

This product has received or is in the process of being certified to the following approvals and may be labeled with one or more of these marks:

IT ECO declaration

US ENERGY STAR®

EPEAT® Gold registered in the United States. See <http://www.epeat.net> for registration status in your country

Energy Consumption (in accordance with US ENERGY STAR® test method)

| | 115VAC, 60Hz | 230VAC, 50Hz | 100VAC, 60Hz |
|------------------|---------------------|---------------------|---------------------|
| Normal Operation | 15.4 W | 15.4 W | 15.5 W |
| Sleep | 0.7 W | 0.76 W | 0.68 W |
| Off | 0.19 W | 0.24 W | 0.18 W |

Heat Dissipation*

| | 115VAC, 60Hz | 230VAC, 50Hz | 100VAC, 60Hz |
|------------------|---------------------|---------------------|---------------------|
| Normal Operation | 53 BTU/hr | 53 BTU/hr | 53 BTU/hr |
| Sleep | 2 BTU/hr | 3 BTU/hr | 2 BTU/hr |
| Off | 1 BTU/hr | 1 BTU/hr | 1 BTU/hr |

*NOTE: Heat dissipation is calculated based on the measured watts, assuming the service level is attained for one hour.

Technical Specifications

| | | |
|-------------------------------|--|---|
| Additional Information | <p>This product is in compliance with the Restrictions of Hazardous Substances (RoHS) directive - 2002/95/EC.</p> <p>This HP product is designed to comply with the Waste Electrical and Electronic Equipment (WEEE) Directive – 2002/96/EC.</p> <p>This product is in compliance with California Proposition 65 (State of California; Safe Drinking Water and Toxic Enforcement Act of 1986).</p> <p>This product is in compliance with the IEEE 1680 (EPEAT) standard at the Gold level, see www.epeat.net</p> <p>Plastics parts weighing over 25 grams used in the product are marked per ISO 11469 and ISO1043.</p> <p>This product contains 9.1 % post-consumer recycled plastic (by wt.)</p> <p>This product is 97.9 % recycle-able when properly disposed of at end of life.</p> | |
| Packaging Materials | <p>External: PAPER/Paper</p> <p>Internal: PLASTIC/EPS (Expanded Polystyrene)</p> <p>PLASTIC/EPE-Expanded Polyethylene</p> <p>PLASTIC/Other plastics unknown</p> | <p>690 g</p> <p>228 g</p> <p>4 g</p> <p>1 g</p> |
| RoHS Compliance | <p>Hewlett-Packard is committed to compliance with all applicable environmental laws and regulations, including the European Union Restriction of Hazardous Substances (RoHS) Directive. HP's goal is to exceed compliance obligations by meeting the requirements of the RoHS Directive on a worldwide basis. By July 1, 2006, RoHS substances will be virtually eliminated (virtually = to levels below legal limits) for all HP electronic products subject to the RoHS Directive, except where it is widely recognized that there is no technically feasible alternative (as indicated by an exemption under the EU RoHS Directive).</p> | |
| Material Usage | <p>This product does not contain any of the following substances in excess of regulatory limits (refer to the HP General Specification for the Environment at http://www.hp.com/hpinfo/globalcitizenship/environment/pdf/gse.pdf):</p> <ul style="list-style-type: none"> Asbestos Certain Azo Colorants Certain Brominated Flame Retardants – may not be used as flame retardants in plastics Cadmium Chlorinated Hydrocarbons Chlorinated Paraffins Formaldehyde Halogenated Diphenyl Methanes Lead carbonates and sulfates Lead and Lead compounds Mercuric Oxide Batteries Nickel – finishes must not be used on the external surface designed to be frequently handled or carried by the user. Ozone Depleting Substances Polybrominated Biphenyls (PBBs) Polybrominated Biphenyl Ethers (PBBEs) Polybrominated Biphenyl Oxides (PBBOs) Polychlorinated Biphenyl (PCB) Polychlorinated Terphenyls (PCT) Polyvinyl Chloride (PVC) – except for wires and cables, and certain retail packaging has been voluntarily removed from most applications. Radioactive Substances | |

Technical Specifications

Tributyl Tin (TBT), Triphenyl Tin (TPT), Tributyl Tin Oxide (TBTO)

Packaging

HP follows these guidelines to decrease the environmental impact of product packaging:
Eliminate the use of heavy metals such as lead, chromium, mercury and cadmium in packaging materials.
Eliminate the use of ozone-depleting substances (ODS) in packaging materials.
Design packaging materials for ease of disassembly.
Maximize the use of post-consumer recycled content materials in packaging materials.
Use readily recyclable packaging materials such as paper and corrugated materials.
Reduce size and weight of packages to improve transportation fuel efficiency.
Plastic packaging materials are marked according to ISO 11469 and DIN 6120 standards.

End-of-life Management and Recycling

Hewlett-Packard offers end-of-life HP product return and recycling programs in many geographic areas. To recycle your product, please go to: <http://www.hp.com/go/reuse-recycle> or contact your nearest HP sales office. Products returned to HP will be recycled, recovered or disposed of in a responsible manner.

The EU WEEE directive (2002/95/EC) requires manufacturers to provide treatment information for each product type for use by treatment facilities. This information (product disassembly instructions) is posted on the Hewlett Packard web site at: <http://www.hp.com/go/recyclers>. These instructions may be used by recyclers and other WEEE treatment facilities as well as HP OEM customers who integrate and re-sell HP equipment.

Hewlett-Packard Corporate Environmental Information

For more information about HP's commitment to the environment:

Global Citizenship Report

<http://www.hp.com/hpinfo/globalcitizenship/gcreport/index.html>

Eco-label certifications

<http://www.hp.com/hpinfo/globalcitizenship/environment/productdesign/ecolabels.html>

ISO 14001 certificates:

<http://www.hp.com/hpinfo/globalcitizenship/environment/operations/envmanagement.html>

Technical Specifications

Material Usage

This product does not contain any of the following substances in excess of regulatory limits (refer to the HP General Specification for the Environment at <http://www.hp.com/hpinfo/globalcitizenship/environment/pdf/gse.pdf>):

- Asbestos
- Certain Azo Colorants
- Certain Brominated Flame Retardants – may not be used as flame retardants in plastics
- Cadmium
- Chlorinated Hydrocarbons
- Chlorinated Paraffins
- Formaldehyde
- Halogenated Diphenyl Methanes
- Lead carbonates and sulfates
- Lead and Lead compounds
- Mercuric Oxide Batteries
- Nickel – finishes must not be used on the external surface designed to be frequently handled or carried by the user.
- Ozone Depleting Substances
- Polybrominated Biphenyls (PBBs)
- Polybrominated Biphenyl Ethers (PBBEs)
- Polybrominated Biphenyl Oxides (PBBOs)
- Polychlorinated Biphenyl (PCB)
- Polychlorinated Terphenyls (PCT)
- Polyvinyl Chloride (PVC) – except for wires and cables, and certain retail packaging has been voluntarily removed from most applications.
- Radioactive Substances
- Tributyl Tin (TBT), Triphenyl Tin (TPT), Tributyl Tin Oxide (TBTO)

Packaging

HP follows these guidelines to decrease the environmental impact of product packaging:

- Eliminate the use of heavy metals such as lead, chromium, mercury and cadmium in packaging materials.
- Eliminate the use of ozone-depleting substances (ODS) in packaging materials.
- Design packaging materials for ease of disassembly.
- Maximize the use of post-consumer recycled content materials in packaging materials.
- Use readily recyclable packaging materials such as paper and corrugated materials.
- Reduce size and weight of packages to improve transportation fuel efficiency.
- Plastic packaging materials are marked according to ISO 11469 and DIN 6120 standards.

End-of-life Management and Recycling

Hewlett-Packard offers end-of-life HP product return and recycling programs in many geographic areas. To recycle your product, please go to: <http://www.hp.com/go/reuse-recycle> or contact your nearest HP sales office. Products returned to HP will be recycled, recovered or disposed of in a responsible manner.

The EU WEEE directive (2002/95/EC) requires manufacturers to provide treatment information for each product type for use by treatment facilities. This information (product disassembly instructions) is posted on the Hewlett Packard web site at: <http://www.hp.com/go/recyclers>. These instructions may be used by recyclers and other WEEE treatment facilities as well as HP OEM customers who integrate and re-sell HP equipment.

Technical Specifications

Hewlett-Packard Corporate Environmental Information

For more information about HP's commitment to the environment:

Global Citizenship Report

<http://www.hp.com/hpinfo/globalcitizenship/gcreport/index.html>

Eco-label certifications

<http://www.hp.com/hpinfo/globalcitizenship/environment/productdesign/ecolabels.html>

ISO 14001 certificates:

<http://www.hp.com/hpinfo/globalcitizenship/environment/operations/envmanagement.html>

Options

**HP Height-adjustable
Stand for Touch
Monitors** — Part
number A1X81AA

Allows the monitor to be set on a counter or cash drawer. Ruggedized, small footprint maximizes counter space for employees and customers. Height and tilt adjustments help you customize positioning to best meet your environment's needs.

**HP Single Monitor
Arm**—Part number
BT861AA

The flexible design of the HP Single Monitor Arm provides a seemingly endless range of display adjustments with an amazing 13 inches of lift, 75 degrees of tilt, and 360 degrees of pan and rotation – all at your fingertips -- helping you stay comfortable and productive throughout the day.

**HP USB Graphics
Adapter**—Part number
NL571AA

Enables connection of up to six simultaneous displays to help you boost productivity and multi-task across several open applications. Use one Adapter to bridge between a notebook or desktop PC and second monitor or use multiple Adapters to connect several displays to each other.

**HP Quick Release
Bracket**— Part number
EM870AA⁴

An easy-to-use, VESA-compliant, LCD monitor mounting solution that allows you to quickly and securely attach an LCD monitor to a variety of stands, brackets, arms or mounts. For more information, refer to this product's QuickSpecs document.

**HP Business PC Security
Lock Kit** — Part number
PV606AA

Attaches to the rear of the PC with a six-foot steel cable that can be used to secure a PC or peripherals such as mice, keyboards, monitors or USB security devices to protect them against unauthorized removal by physically connecting the system to an anchor point.

What's in the box?

**Monitor and
Accessories**

HP EliteDisplay E220t Touch Monitor
AC Power code **1.9 m** (6.2 ft)
VGA cable **1.8 m** (5.9 ft)
DP cable **1.8 m** (5.9 ft)
USB 3.0 cable **1.8 m** (5.9 ft)
Audio cable **1.8 m** (5.9 ft)

Documentation

CD (includes user guide., warranty, drivers), Service phone list card, Hard copy warranty booklet (country specific)

Software

HP Display Assistant

Other

User Guide Languages

English, French, Spanish, B. Portuguese, Danish, Dutch, Finnish, German, Hebrew, Italian, Norwegian, Swedish, Czech, Greek, Hungarian, Polish, Portuguese, Russian, Slovak, Turkish, Arabic, Kazakh, Ukrainian, S. Chinese, T. Chinese, Bahasa Indonesia, Korean, Japanese

Warranty Languages

English, French, Spanish, B. Portuguese, Danish, Dutch, Finnish, German, Hebrew, Italian, Norwegian, Swedish, Czech, Greek, Hungarian, Polish,

Technical Specifications

Portuguese, Russian, Slovak, Turkish, Arabic, Kazakh, Ukrainian, S. Chinese, T. Chinese, Bahasa Indonesia, Korean, Japanese

Color Black

VESA Mounting Yes

Security Lock-Ready Yes

Country of Origin China

Certification and Compliance

TCO Certified, TCO Certified Edge, CEL Grade 1, Microsoft WHQL Certification (Windows 10, Windows 8), ENERGY STAR® Qualified, EPEAT® Gold², WW application, CB, CE, FCC, ICES, VCCI, CISPR, TUV, TUV-GS, etl, 3C, CECP, BSMI, S-MARK/S-MARK, ES, KCC, KC, E-standby/SEPA (per HP requirement) / TW Green mark (per HP requirement)

Compatibility

Compatible with platforms using the VESA standard video modes. Recommended for use with HP products.

Service and Warranty

Protected by HP, including a 3 year standard limited warranty. Optional HP Care Pack Services are extended service contracts that extend your protection beyond the standard warranties.³

© Copyright 2016 Hewlett-Packard Development Company, L.P.

All specifications represent the typical specifications provided by HP's component manufacturers; actual performance may vary either higher or lower. The only warranties for HP products and services are set forth in the express warranty statements accompanying such products and services. Nothing herein should be construed as constituting an additional warranty. HP shall not be liable for technical or editorial errors or omissions contained herein.

1. External power supplies, power cords, cables and peripherals are not Low Halogen. Service parts obtained after purchase may not be Low Halogen.
2. EPEAT® Gold where HP registers commercial display products. See www.epeat.net for registration status in your country.
3. Service levels and response times for HP Care Pack Services may vary depending on your geographic location. Service starts from date of hardware purchase. Restrictions and limitations apply. See www.hp.com/go/cpc for details.
4. The HP Quick Release has been designed to support a maximum of up to 24 lbs (10.9 kg) for all devices mounted. Because mounting surfaces vary widely and the final mounting method and configuration may vary, mounting fasteners are not supplied (other than the VESA-compliant screws). HP recommends that you consult with a qualified engineering, architectural or construction professional to determine the appropriate type and quantity of mounting fasteners required for your application and to ensure that your mounting solution is properly installed to support applied loads.

Microsoft and Windows are U.S. registered trademarks of the Microsoft group of companies. ENERGY STAR is a registered trademark owned by the U.S. Environmental Protection Agency.

Change Log

| Change Log | |
|-----------------------------|--------------------------------|
| Version 1 – August 28, 2015 | |
| Added | Environmental information |
| | |
| Version 1 to 2 | |
| Changed | Messaging |
| | |
| Version 2 to 3 | |
| Update | Windows 10 certification added |
| | |
| | |
| | |
| | |
| | |
| | |
| | |
| | |
| | |
| | |
| | |