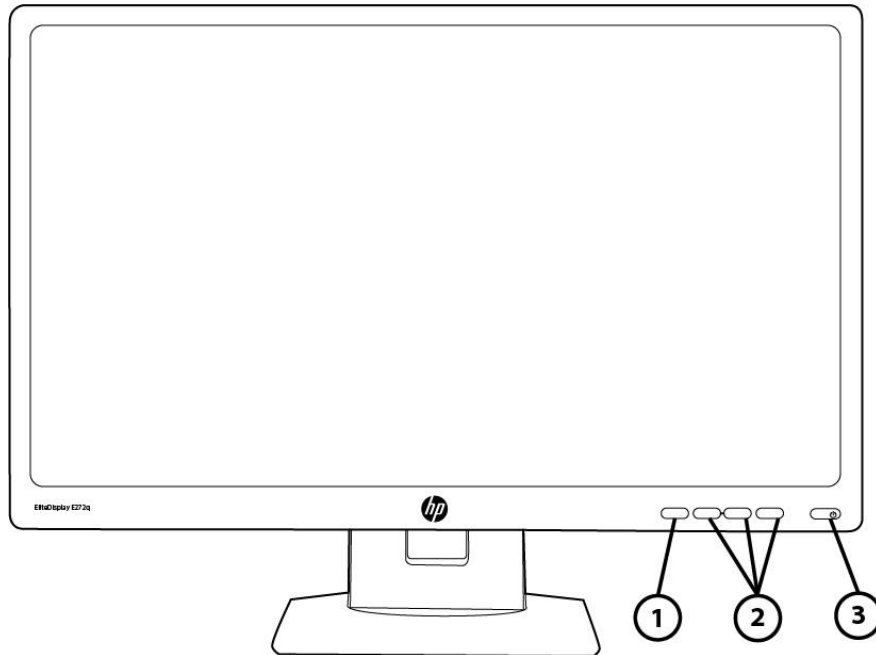


### Overview

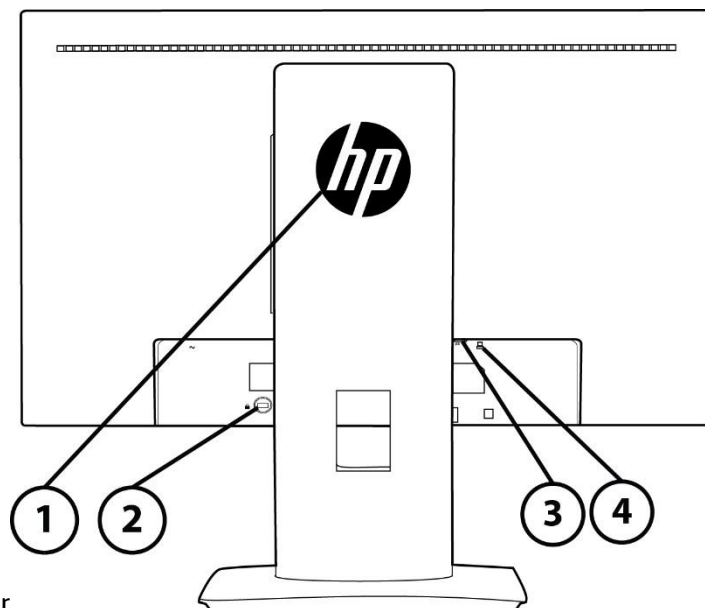
### HP EliteDisplay E272q 27-inch QHD Monitor



1. Menu button
2. Dynamic OSD function buttons

3. Power button and LED

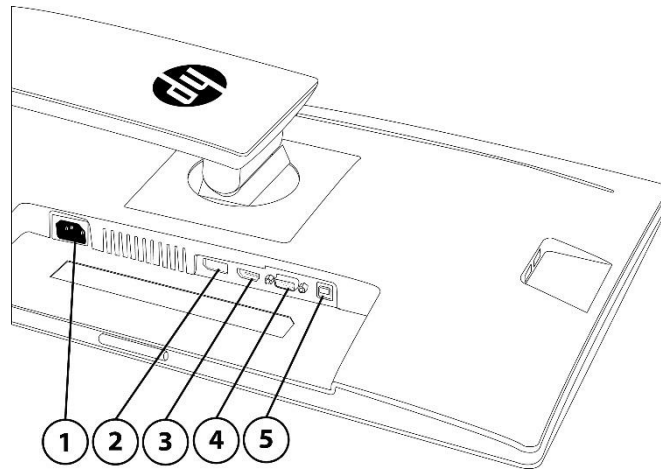
**Note:** You can reconfigure the Function buttons in the OSD menu to quickly select the most commonly used operations.



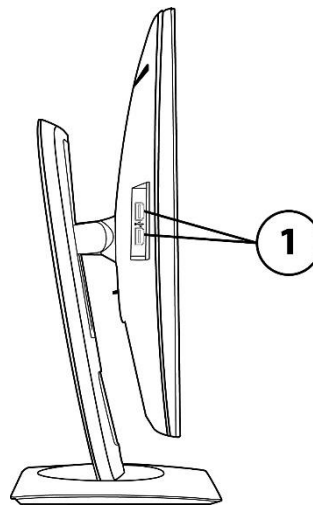
HP UHD USB Graphics Adapter

1. VESA mounting pattern available upon removal of column stand
2. Security lock slot
3. VGA input
4. USB 2.0 upstream

### Overview



1. Power input
2. DisplayPort v 1.2
3. HDMI input
4. VGA input
5. USB 2.0 upstream



1. USB 2.0 ports

### Overview

#### Overview

Multi-task to your heart's desire in Quad HD on the HP E272q 27-inch QHD Monitor, which is Certified for Windows 10 and has adjustable comfort features to help you power through your day.

#### Key features:

- Put all your work onscreen on the 27-inch diagonal screen, and get fantastic color and views from quad HD resolution, 3.6 MP, and 178-degree viewing angle IPS.
- Create a comfortable work environment with adjustable tilt, height, swivel, and pivot settings.
- Enjoy easy connectivity to your PC platform and everyday devices with HDMI, DisplayPort, VGA, and USB ports.
- Attach your HP PC or select HP Thin Client directly behind the display.<sup>1</sup>
- Connect the display to your PC or notebook and experience all Windows 10 has to offer.
- Get an intelligent, energy-efficient design that is ENERGY STAR<sup>®</sup> certified, EPEAT<sup>®</sup> Gold registered<sup>2</sup>, and meets TCO Certified Edge requirements with 85% Post-Consumer Recycled plastics.
- Design the screen for how you work with HP Display Assistant software, which enables screen partitioning and helps deter theft by deactivating a monitor that's disconnected without approval.
- Customize a complete solution with HP accessories<sup>3</sup> designed and tested to work with your display.
- Get three years of service and support, and extend your protection with optional HP Care Packs.<sup>4</sup>

1 Requires HP PC Mounting Bracket for Monitors, sold separately. See product QuickSpecs for exact PC and thin client compatibility.

2 EPEAT<sup>®</sup> registered where applicable. EPEAT registration varies by country. See [www.epeat.net](http://www.epeat.net) for registration status by country.

3 Each sold separately.

4 Sold separately. Service levels and response times for HP Care Packs may vary depending on your geographic location. Service starts on date of hardware purchase. Restrictions and limitations apply. For details, visit [www.hp.com/go/cpc](http://www.hp.com/go/cpc). HP Services are governed by the applicable HP terms and conditions of service provided or indicated to Customer at the time of purchase. Customer may have additional statutory rights according to applicable local laws, and such rights are not in any way affected by the HP terms and conditions of service or the HP Limited Warranty provided with your HP Product.

### Technical Specifications

#### Models:

M1P04AA- HP EliteDisplay E272q 27-inch QHD Monitor

<b>Panel</b>	<b>Type</b>	27 inch IPS with LED backlight
	<b>Viewable Image Area (diagonal)</b>	<b>68,58 cm</b> (27-inch) widescreen; diagonally measured
	<b>Panel Active Area (W x H)</b>	<b>59,67 x 33,56 cm</b> (23.49 x 13.21 in)
	<b>Resolution</b>	2560 x 1440 @ 60Hz
	<b>Aspect Ratio</b>	16:9
	<b>Viewing Angle</b>	Up to 178° horizontal/178° vertical typical
	<b>Brightness</b>	350 cd/m <sup>2</sup>
	<b>Contrast Ratio (Typical)</b>	1000:1 Static; 5,000,000:1 Dynamic (DCR)
	<b>Response Times</b>	7 ms gray to gray
	<b>Pixel Pitch</b>	0.233 x 0.233 mm
	<b>Pixels Per Inch (PPI)</b>	109
	<b>Backlight Lamp Life (to half brightness)</b>	30,000 hours minimum
	<b>Color Support</b>	1.07 billion colors; 8bit+FRC panel
	<b>Color Gamut (Typical)</b>	100% sRGB
NOTE: Performance specifications represent the typical specifications provided by HP's component manufacturers; actual performance may vary either higher or lower.		
<b>User Controls</b>	<b>Buttons or Switches</b>	Dynamically adjust depending upon OSD screen selected
	<b>Languages</b>	10 (English, Spanish, German, French, Italian, Netherlands, Portuguese, Japanese, T-Chinese and S-Chinese)
	<b>On Screen Display (OSD) User Controls</b>	Brightness, Contrast, Color Control, Input Control, Image Control, Power Control, Menu Control, Management, Language, Information, Exit
<b>Signal Interface/ Performance</b>	<b>Horizontal Frequency</b>	25 – 115 kHz
	<b>Vertical Frequency</b>	49 – 76 Hz
	<b>Native Resolution</b>	2560 x 1440 @ 60Hz
	<b>Preset Graphic Modes (non-interlaced)</b>	640 x 480 @ 60Hz
		800 x 600 @ 60Hz
1024 x 768 @ 60Hz		
1280 x 720 @ 60Hz		
1280 x 800 @ 60Hz		
1280 x 1024 @ 60Hz		
1366 x 768 @ 60Hz		
	1440 x 900 @ 60Hz	
	1600 x 900 @ 60Hz	
	1600 x 1200 @ 60Hz	
	1680 x 1050 @ 60Hz	
	1920 x 1080 @ 60Hz	

### Technical Specifications

1920 x 1200 @ 60Hz  
2560 x 1440 @ 60Hz

**Maximum Pixel Clock Speed** 250MHz

**Anti-Glare** Yes

**Video/Other Inputs** **Plug and Play** Yes

**Input Connectors** 1) DisplayPort 1.2, (1) HDMI, (1) VGA  
HDCP support on DisplayPort and HDMI

**USB** (3) USB 2.0 (Two downstream and one upstream)

**Cables Included** (1) DisplayPort **1,8 m** (5.9 ft); (1) VGA **1,8 m** (5.9 ft);  
(1) USB **1,8 m** (5.9 ft)

**Audio** N/A

**Multimedia** **Speakers** N/A

**Power** **Power Supply** Internal

**Input Power** 100 - 240 VAC 50/60 Hz

**Maximum Power** 55 W

**Typical Power** 49 W

**Sleep Power** 0.5 W (standby)

**Power Cable Length** **1.9 m** (6.2 ft)

**Mechanical** **Dimensions** **Unpacked w/stand** **64,32 x 19,7 x 40,94 cm (Lowest)**  
(W x D x H) 25.32 x 7.76 x 16.12 in (Lowest)

**64,32 x 19,7 x 55,79 cm (Highest)**  
21.94 x 1.95 x 19.75 inch (Highest)

**Unpacked w/o stand** **64,32 x 4,8 x 39,25 cm**  
(head only) (25.32 x 1.89 x 15.45 in)

**Packaged** **75,6 x 24,2 x 48,2 cm**  
(29.76 x 9.53 x 18.98 in)

**Weight** **Head Only** **3,8 kg** (8.38 lb)

**Unpacked with stand** **6 kg** (13.2 lb)

**Packaged** **8,1 kg** (17.9 lb)

**Ergonomic Features** **Detachable Stand** Yes, ships detached

**Height Adjustment** Yes, 150 mm

**Tilt Range** -5° to +25°

**Swivel** ±45°

**Pivot** 90°

**Environmental** **Temperature - Operating** **5° to 35° C** (41° to 95° F)

**Temperature - Non-operating** **-20° to 60° C** (-4° to 140° F)

**Humidity - Operating** 20% to 80% non-condensing

### Technical Specifications

	<b>Humidity - Non-operating</b>	5% to 95%, 38.7° C max wet-bulb
	<b>Altitude - Operating</b>	<b>0 to 5,000 m</b> (0 to 16,400 ft)
	<b>Altitude - Non-operating</b>	<b>0 to 12,192 m</b> (0 to 40,000 ft)
	<b>White LED Backlights</b>	Yes
	<b>CCFL Panel</b>	No
	<b>Arsenic-Free Display Glass</b>	Yes
	<b>Low Halogen<sup>1</sup></b>	Yes
	<b>Mercury-Free Display Backlighting</b>	Yes, Mercury-free LED backlighting
<b>Options</b> (sold separately)	<b>HP Single Monitor Arm</b> —Part number BT861AA	The flexible design of the HP Single Monitor Arm provides a seemingly endless range of display adjustments with an amazing 13 inches of lift, 75 degrees of tilt, and 360 degrees of pan and rotation – all at your fingertips -- helping you stay comfortable and productive throughout the day.
	<b>HP LCD Monitor Quick Release</b> — Part number EM870AA <sup>4</sup>	An easy-to-use, VESA-compliant, LCD monitor mounting solution that allows you to quickly and securely attach an LCD monitor to a variety of stands, brackets, arms or wall mounts. For more information, refer to this product's QuickSpecs document.
	<b>HP LCD Speaker Bar</b> —Part number NQ576AA	Powered directly by the connected PC, the Speaker Bar seamlessly attaches to the monitor's lower bezel to bring full audio support to select HP flat panel monitors. Features include dual speakers with full sound range and dual external headphone jacks. Sold separately. For more information, refer to the product's QuickSpecs.
	<b>HP Business PC Security Lock v2 Kit</b> — Part number N3R93AA	Help prevent chassis tampering and secure your PC and display in workspaces and public areas with the HP Business PC Security Lock v2 Kit.
	<b>HP PC Mounting Bracket for Monitors</b> —Part number N6N00AA	Customize an altogether better solution with the HP PC Mounting Bracket for Monitors, which lets you attach your HP Desktop Mini, HP Chromebox, or select HP Thin Client directly behind select HP Z Displays and EliteDisplays.
	<b>HP Dual Output USB Graphics Adapter – Part Number C5U89AA</b>	You can boost your productivity by creating a dual-monitor setup with the HP Dual Output USB Graphics Adapter – featuring both DVI-I and DisplayPort inputs to drive displays at high resolutions through a single USB 3.0 connection to your PC.
<b>What's in the box?</b>	<b>Monitor and Accessories</b>	HP EliteDisplay E272q 27-inch QHD Monitor AC power cord <b>1,9 m</b> (6.2 ft) VGA cable <b>1,8 m</b> (5.9ft) DP cable <b>1,8 m</b> (5.9ft) USB cable <b>1,8 m</b> (5.9ft)
	<b>Documentation</b>	CD (includes user guide, warranty, drivers)
	<b>Software</b>	HP Display Assistant

### Technical Specifications

<b>Other</b>	<b>User Guide Languages</b>	English, Arabic, S. Chinese, T. Chinese, Czech, Danish, Dutch, Finnish, French, German, Greek, Hungarian, Italian, Japanese, Kazakh, Korean, Norwegian, Polish, Brazilian Portuguese, Russian, Slovenian, Spanish, Swedish and Turkish.
	<b>Warranty Languages</b>	English, Arabic, S. Chinese, T. Chinese, Czech, Danish, Dutch, Finnish, French, German, Greek, Hungarian, Italian, Japanese, Kazakh, Korean, Norwegian, Polish, Brazilian Portuguese, Russian, Slovenian, Spanish, Swedish and Turkish.
	<b>Color</b>	Black Bezel and Rear Cover; Silver Stand
	<b>VESA Mounting</b>	100 mm VESA mount
	<b>Security Lock-Ready</b>	Yes
	<b>Country of Origin</b>	China
<b>Certification and Compliance</b>	TCO Certified Edge, CEL Grade 1, Microsoft WHQL Certification (Windows 10, Windows 8.1 and Windows 7), ENERGY STAR® Qualified, EPEAT® Gold <sup>2</sup> , CE, CB, KC, KCC, NOM, PSB, ICE, TUV-S, ISO 9241-307, EAC, UL, CSA, PSB, ISC, CCC, CECP, SEPA, ISC, VCCI, FCC, BSMI, Vietnam MEPS, Australian-New Zealand MEPS, WEEE	
<b>Compatibility</b>	Compatible with platforms using the VESA standard video modes. Recommended for use with HP products.	
<b>Service and Warranty</b>	Protected by HP, including a 3 year standard limited warranty. Optional HP Care Pack Services are extended service contracts that extend your protection beyond the standard warranties. <sup>3</sup>	

© Copyright 2017 Hewlett-Packard Development Company, L.P.

ENERGY STAR is a registered mark owned by the U.S. government. All specifications represent the typical specifications provided by HP's component manufacturers; actual performance may vary either higher or lower. The only warranties for HP products and services are set forth in the express warranty statements accompanying such products and services. Nothing herein should be construed as constituting an additional warranty. HP shall not be liable for technical or editorial errors or omissions contained herein.

1. External power supplies, power cords, cables and peripherals are not Low Halogen. Service parts obtained after purchase may not be Low Halogen.
2. EPEAT® Gold where HP registers commercial display products. See [www.epeat.net](http://www.epeat.net) for registration status in your country.
3. Service levels and response times for HP Care Pack Services may vary depending on your geographic location. Service starts from date of hardware purchase. Restrictions and limitations apply. See <http://www.hp.com/go/cpc> for details.
4. The HP Quick Release has been designed to support a maximum of up to 24 lbs (10.9 kg) for all devices mounted. Because mounting surfaces vary widely and the final mounting method and configuration may vary, mounting fasteners are not supplied (other than the VESA-compliant screws). HP recommends that you consult with a qualified engineering, architectural or construction professional to determine the appropriate type and quantity of mounting fasteners required for your application and to ensure that your mounting solution is properly installed to support applied loads.

