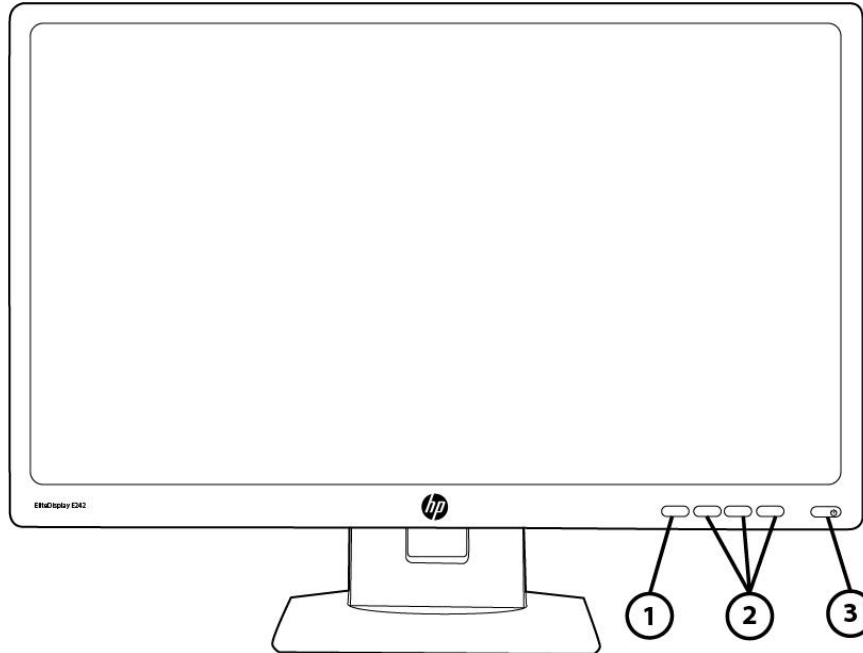


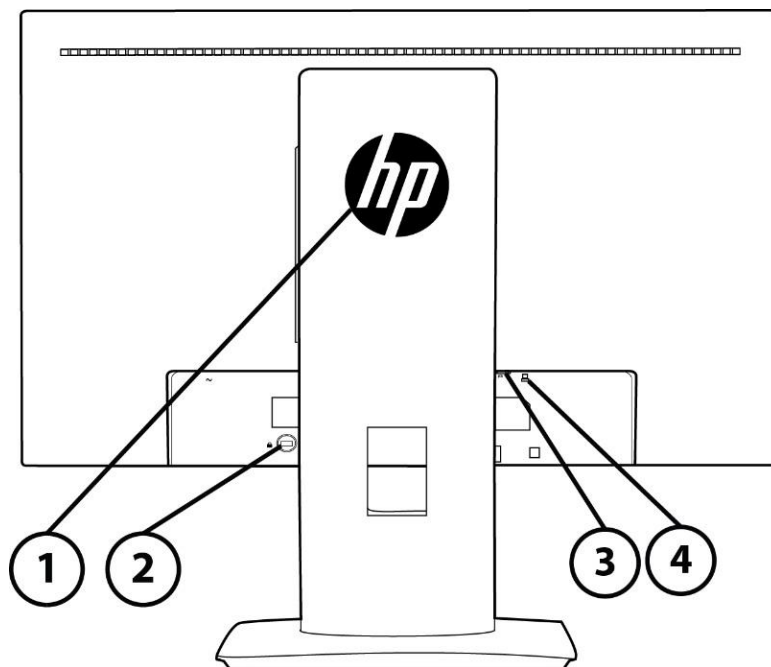
### Overview

### HP EliteDisplay E242 24-inch Monitor



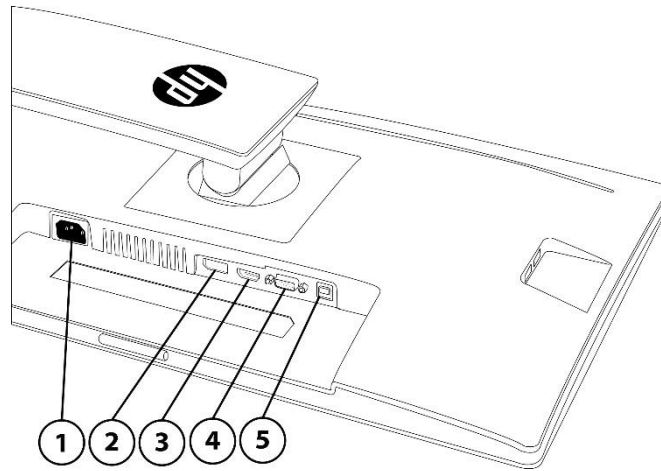
- 1. Menu button
- 2. Dynamic OSD function buttons
- 3. Power button and LED

**Note:** You can reconfigure the Function buttons in the OSD menu to quickly select the most commonly used operations.

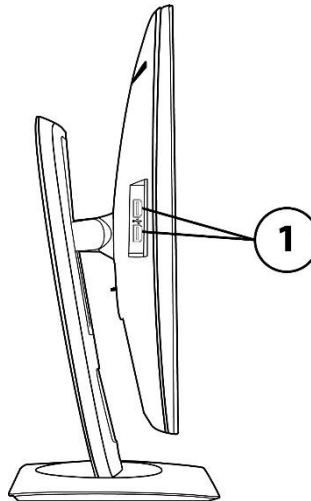


- 1. VESA mounting pattern available upon removal of column stand
- 2. Security lock slot
- 3. VGA input
- 4. USB 2.0 upstream

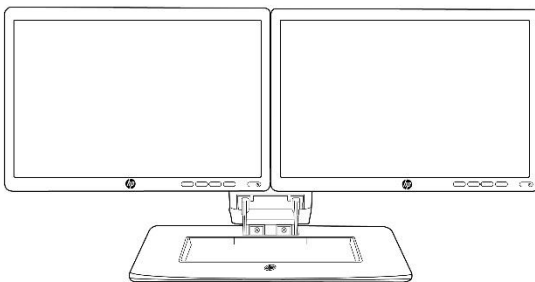
### Overview



1. Power input
2. DisplayPort v 1.2
3. HDMI input
4. VGA input
5. USB 2.0 upstream



1. USB 2.0 ports



HP EliteDisplay E242 and HP Adjustable Dual Display Stand dual monitor configuration shown. (Note: monitors and stands sold separately)

Your ideal office configuration begins with two HP EliteDisplay E242 monitors combined with an HP Adjustable Dual Display Stand (AW664AA) for a small footprint, high productivity work solution.\*

\*NOTE: Multi-monitor support is dependent on your system. Check your user guide or technical specifications for compatibility. Optional accessories may be required.

### Overview

#### Overview

Be a master at multi-tasking with HP EliteDisplay E242 24-inch Monitor, which is Certified for Windows 10. Experience Full HD resolution, adjustable comfort features, and an extra-large screen for all of your work.

#### Key features:

- See and share more of your work on the 24-inch diagonal screen with wide 178-degree viewing angles from IPS.
- Set your tilt, height adjustment, and swivel to meet your exact comfort requirements.
- Connect to a range of PCs and USB devices with HDMI, DisplayPort, VGA, and USB ports.
- Attach your HP PC or select HP Thin Client directly behind the display.<sup>1</sup>
- Connect the display to your PC or notebook and experience all Windows 10 has to offer.
- Get an intelligent, energy-efficient design that is ENERGY STAR<sup>®</sup> certified, EPEAT<sup>®</sup> Gold registered<sup>2</sup>, and meets TCO Certified Edge requirements with 85% Post-Consumer Recycled plastics.
- Design the screen for how you work with HP Display Assistant software.
- Customize a complete solution with HP accessories<sup>3</sup> designed and tested to work with your display.
- Get three years of service and support, and extend your protection with optional HP Care Packs.<sup>4</sup>

<sup>1</sup> Requires HP PC Mounting Bracket for Monitors, sold separately. See product QuickSpecs for exact PC and thin client compatibility.

<sup>2</sup> EPEAT<sup>®</sup> registered where applicable. EPEAT registration varies by country. See [www.epeat.net](http://www.epeat.net) for registration status by country.

<sup>3</sup> Each sold separately.

<sup>4</sup> Sold separately. Service levels and response times for HP Care Packs may vary depending on your geographic location. Service starts on date of hardware purchase. Restrictions and limitations apply. For details, visit [www.hp.com/go/cpc](http://www.hp.com/go/cpc). HP Services are governed by the applicable HP terms and conditions of service provided or indicated to Customer at the time of purchase. Customer may have additional statutory rights according to applicable local laws, and such rights are not in any way affected by the HP terms and conditions of service or the HP Limited Warranty provided with your HP Product.

### Technical Specifications

#### Models:

M1P02AA- HP EliteDisplay E242 24-inch Monitor  
NOQ25AA- HP EliteDisplay E242 24-inch Monitor Head Only

<b>Panel</b>	<b>Type</b>	24-inch IPS/PLS w/LED backlight
	<b>Viewable Image Area (diagonal)</b>	<b>60,96 cm</b> (24-inch) widescreen; diagonally measured
	<b>Panel Active Area (W × H)</b>	51,84 x 32,4 cm <b>(20.41 x 12.76 in)</b>
	<b>Resolution</b>	1920 x 1200 @ 60 Hz
	<b>Aspect Ratio</b>	16:10
	<b>Viewing Angle</b>	Up to 178° horizontal/178° vertical typical
	<b>Brightness</b>	250 cd/m <sup>2</sup>
	<b>Contrast Ratio (Typical)</b>	1000:1 Static; 5,000,000:1 Dynamic (DCR)
	<b>Response Times*</b>	7 ms gray to gray
	<b>Pixel Pitch</b>	0.270 x 0.270 mm
	<b>Pixels Per Inch (PPI)</b>	93.9
	<b>Backlight Lamp Life (to half brightness)</b>	30,000 hours minimum
	<b>Color Support</b>	Up to 16.7 million colors with the use of FRC technology
	<b>Color Gamut (Typical)</b>	72%
* Performance specifications represent the typical specifications provided by HP's component manufacturers; actual performance may vary either higher or lower.		
<b>User Controls</b>	<b>Buttons or Switches</b>	Dynamically adjust depending upon OSD screen selected
	<b>Languages</b>	10 (English, Spanish, German, French, Italian, Netherlands, Portuguese, Japanese, T-Chinese and S-Chinese)
	<b>On Screen Display (OSD) User Controls</b>	Brightness, Contrast, Color Control, Input Control, Image Control, Power Control, Menu Control, Management, Language, Information
<b>Signal Interface/ Performance</b>	<b>Horizontal Frequency</b>	30 - 80 KHz
	<b>Vertical Frequency</b>	50 - 60 Hz
	<b>Native Resolution</b>	1920 x 1200 @ 60 Hz
	<b>Preset Graphic Modes (non-interlaced)</b>	640 x 480 @ 60Hz 720 x 400 @ 70 Hz 800 x 600 @ 60 Hz 1024 x 768 @ 60 Hz 1280 x 720 @ 60 Hz 1280 x 800 @ 60 Hz 1280 x 1024 @ 60 Hz 1440 x 900 @ 60 Hz 1600 x 900 @ 60 Hz 1600 x 1200 @ 60 Hz

### Technical Specifications

1680 x 1050 @ 60 Hz  
1920 x 1080 @ 60 Hz  
1920 x 1200 @ 60 Hz

	<b>Maximum Pixel Clock Speed</b>	170 MHz	
	<b>Anti-Glare</b>	Yes	
<b>Video/Other Inputs</b>	<b>Plug and Play</b>	Yes	
	<b>Input Connectors</b>	1) DisplayPort 1.2, (1) HDMI, (1) VGA HDCP support on DisplayPort and HDMI	
	<b>USB</b>	(3) USB 2.0 (Two downstream and one upstream)	
	<b>Cables Included</b>	(1) DisplayPort <b>1,8 m</b> (5.9 ft) ; (1) VGA <b>1,8 m</b> (5.9 ft); (1) USB <b>1,8 m</b> (5.9 ft)	
	<b>Audio</b>	N/A	
<b>Multimedia</b>	<b>Speakers</b>	N/A	
<b>Power</b>	<b>Power Supply</b>	Internal	
	<b>Input Power</b>	100 - 240 VAC 50/60 Hz	
	<b>Maximum Power</b>	38 W	
	<b>Typical Power</b>	30 W	
	<b>Sleep Power</b>	0.5 W (standby)	
	<b>Power Cable Length</b>	<b>1.9 m</b> (6.2 ft)	
			<b>1.83 m</b> (6 ft - head only model)
<b>Mechanical</b>	<b>Dimensions</b> (W x D x H)	<b>Unpacked w/stand</b>	<b>56,22 x 18,9 x 51,9 cm</b> (22.13 x 7.44 x 20.43 in)
		<b>Unpacked w/o stand</b> (head only)	<b>56,22 x 5 x 37,74 cm</b> (22.13 x 1.97 x 14.86 in)
		<b>Packaged</b>	<b>65,5 x 22,6 x 44,7 cm</b> (25.79 x 8.9 x 17.6 in)
	<b>Weight</b>	<b>Head Only</b>	<b>4,2 kg</b> (9.26 lb)
		<b>Unpacked with stand</b>	<b>6,23 kg</b> (13.73 lb)
		<b>Packaged</b>	<b>8,43 kg</b> (18.58 lb)
		<b>Packaged (head only)</b>	<b>6,4 kg</b> (14.11 lb)
<b>Ergonomic Features</b> <b>- Not available on head only model</b>	<b>Detachable Stand</b>	No	
	<b>Height Adjustment</b>	Yes, 150 mm	
	<b>Tilt Range</b>	-5° to +25°	
	<b>Swivel</b>	±45°	
	<b>Pivot</b>	90°	
<b>Environmental</b>	<b>Temperature - Operating</b>	<b>5° to 35° C</b> (41° to 95° F)	
	<b>Temperature - Non-operating</b>	<b>-20° to 60° C</b> (-4° to 140° F)	

### Technical Specifications

<b>Humidity - Operating</b>	20% to 80% non-condensing
<b>Humidity - Non-operating</b>	5% to 95%, 38.7° C max wet-bulb
<b>Altitude - Operating</b>	<b>0 to 5,000 m</b> (0 to 16,400 ft)
<b>Altitude - Non-operating</b>	<b>0 to 12,192 m</b> (0 to 40,000 ft)
<b>White LED Backlights</b>	Yes
<b>CCFL Panel</b>	No
<b>Arsenic-Free Display Glass</b>	Yes
<b>Low Halogen<sup>1</sup></b>	Yes
<b>Mercury-Free Display Backlighting</b>	Yes, Mercury-free LED backlighting

### Environmental Data

#### Eco-Label Certifications & declarations

This product has received or is in the process of being certified to the following approvals and may be labeled with one or more of these marks:

- IT ECO declaration
- US ENERGY STAR®
- TCO 6.0 / TCO Certified Edge
- EPEAT® <Gold> registered in the United States. See <http://www.epeat.net> for registration status in your country

#### Energy Consumption (in accordance with US ENERGY STAR® test method)

	<b>115VAC, 60Hz</b>	<b>230VAC, 50Hz</b>	<b>100VAC, 60Hz</b>
Normal Operation	18.03 W	18.06 W	18.5 W
Sleep	0.5 W	0.44 W	0.5 W
Off	0.22 W	0.27 W	0.3 W

#### Heat Dissipation\*

	<b>115VAC, 60Hz</b>	<b>230VAC, 50Hz</b>	<b>100VAC, 60Hz</b>
Normal Operation	62 BTU/hr	62 BTU/hr	63 BTU/hr
Sleep	2 BTU/hr	2 BTU/hr	2 BTU/hr
Off	1 BTU/hr	1 BTU/hr	1 BTU/hr

\*NOTE: Heat dissipation is calculated based on the measured watts, assuming the service level is attained for one hour.

#### Additional Information

- This product is in compliance with the Restrictions of Hazardous Substances (RoHS) directive - 2002/95/EC.
- This HP product is designed to comply with the Waste Electrical and Electronic Equipment (WEEE) Directive – 2002/96/EC.
- This product is in compliance with California Proposition 65 (State of California; Safe Drinking Water and Toxic Enforcement Act of 1986).
- This product is in compliance with the IEEE 1680 (EPEAT) standard at the Gold level, see [www.epeat.net](http://www.epeat.net)
- Plastics parts weighing over 25 grams used in the product are marked per ISO 11469 and ISO1043.
- This product contains 44.1 % post-consumer recycled plastic (by wt.)
- This product is 98.2 % recycle-able when properly disposed of at end of life.

### Technical Specifications

<b>Packaging Materials</b>	<b>External:</b>	PAPER/Corrugated	850 g
	<b>Internal:</b>	PLASTIC/EPS (Expanded Polystyrene)	335 g
		PLASTIC/Polyethylene low density	20 g

**RoHS Compliance** Hewlett-Packard is committed to compliance with all applicable environmental laws and regulations, including the European Union Restriction of Hazardous Substances (RoHS) Directive. HP's goal is to exceed compliance obligations by meeting the requirements of the RoHS Directive on a worldwide basis. By July 1, 2006, RoHS substances will be virtually eliminated (virtually = to levels below legal limits) for all HP electronic products subject to the RoHS Directive, except where it is widely recognized that there is no technically feasible alternative (as indicated by an exemption under the EU RoHS Directive).

#### Environmental Data

**Eco-Label Certifications & declarations** This product has received or is in the process of being certified to the following approvals and may be labeled with one or more of these marks:

- IT ECO declaration
- US ENERGY STAR®
- TCO 6.0 / TCO Certified Edge
- EPEAT® <Gold> registered in the United States. See <http://www.epeat.net> for registration status in your country

#### Energy Consumption (in accordance with US ENERGY STAR® test method)

	<b>115VAC, 60Hz</b>	<b>230VAC, 50Hz</b>	<b>100VAC, 60Hz</b>
Normal Operation	19.22 W	19.27 W	19.4 W
Sleep	0.22 W	0.27 W	0.21 W
Off	0.19 W	0.23 W	0.19 W

	<b>115VAC, 60Hz</b>	<b>230VAC, 50Hz</b>	<b>100VAC, 60Hz</b>
Normal Operation	66 BTU/hr	66 BTU/hr	66 BTU/hr
Sleep	1 BTU/hr	1 BTU/hr	1 BTU/hr
Off	1 BTU/hr	1 BTU/hr	1 BTU/hr

\*NOTE: Heat dissipation is calculated based on the measured watts, assuming the service level is attained for one hour.

#### Additional Information

- This product is in compliance with the Restrictions of Hazardous Substances (RoHS) directive - 2002/95/EC.
- This HP product is designed to comply with the Waste Electrical and Electronic Equipment (WEEE) Directive – 2002/96/EC.
- This product is in compliance with California Proposition 65 (State of California; Safe Drinking Water and Toxic Enforcement Act of 1986).
- This product is in compliance with the IEEE 1680 (EPEAT) standard at the Gold level, see [www.epeat.net](http://www.epeat.net)
- Plastics parts weighing over 25 grams used in the product are marked per ISO 11469 and ISO1043.
- This product contains 44.1 % post-consumer recycled plastic (by wt.)
- This product is 98.2 % recycle-able when properly disposed of at end of life.

<b>Packaging Materials</b>	<b>External:</b>	PAPER/Corrugated	850 g
	<b>Internal:</b>	PLASTIC/EPS (Expanded Polystyrene)	335 g

### Technical Specifications

PLASTIC/Polyethylene low density

20 g

#### RoHS Compliance

Hewlett-Packard is committed to compliance with all applicable environmental laws and regulations, including the European Union Restriction of Hazardous Substances (RoHS) Directive. HP's goal is to exceed compliance obligations by meeting the requirements of the RoHS Directive on a worldwide basis. By July 1, 2006, RoHS substances will be virtually eliminated (virtually = to levels below legal limits) for all HP electronic products subject to the RoHS Directive, except where it is widely recognized that there is no technically feasible alternative (as indicated by an exemption under the EU RoHS Directive).

#### Options

(sold separately)

##### **HP Adjustable Dual Display Stand**—Part Number AW664AA

Premium space-saving dual screen solution provides access to more monitor real estate and makes it possible to manage multiple applications simultaneously. Weight adjustable for dual monitors from 17-24". Rotate displays into portrait/landscape positions.

##### **HP Single Monitor Arm**—Part number BT861AA

The flexible design of the HP Single Monitor Arm provides a seemingly endless range of display adjustments with an amazing 13 inches of lift, 75 degrees of tilt, and 360 degrees of pan and rotation – all at your fingertips -- helping you stay comfortable and productive throughout the day.

##### **HP LCD Monitor Quick Release** — Part number EM870AA<sup>4</sup>

An easy-to-use, VESA-compliant, LCD monitor mounting solution that allows you to quickly and securely attach an LCD monitor to a variety of stands, brackets, arms or wall mounts. For more information, refer to this product's QuickSpecs document.

##### **HP LCD Speaker Bar**—Part number NQ576AA

Powered directly by the connected PC, the Speaker Bar seamlessly attaches to the monitor's lower bezel to bring full audio support to select HP flat panel monitors. Features include dual speakers with full sound range and dual external headphone jacks. Sold separately. For more information, refer to the product's QuickSpecs.

##### **HP Business PC Security Lock v2 Kit**— Part number N3R93AA

Help prevent chassis tampering and secure your PC and display in workspaces and public areas with the HP Business PC Security Lock v2 Kit.

##### **HP PC Mounting Bracket for Monitors**— Part number N6N00AA

Customize an altogether better solution with the HP PC Mounting Bracket for Monitors, which lets you attach your HP Desktop Mini, HP Chromebox, or select HP Thin Client directly behind select HP Z Displays and EliteDisplays.

#### What's in the box?

##### **HP UHD USB Graphics Adapter** — Part number N2U81AA

Just plug the adapter into any USB 2.0 or 3.0 port on your PC and connect the DisplayPort connector on the other end to your UHD display.

#### What's in the box?

##### **Monitor and Accessories**

HP EliteDisplay E242 24-inch Monitor (and column stand)  
or HP EliteDisplay E242 24-inch Monitor Head Only  
AC power cord (1.9m) 6.2ft  
VGA Cable (1.8m) 5.9ft  
DP Cable (1.8m) 5.9ft  
USB 2.0 cable (1.8m)

##### **Documentation**

CD (includes U.G., warranty, drivers)



### Technical Specifications

	<b>Software</b>	HP Display Assistant
<b>Other</b>	<b>User Guide Languages</b>	English, Arabic, S. Chinese, T. Chinese, Czech, Danish, Dutch, Finnish, French, German, Greek, Hungarian, Italian, Japanese, Kazakh, Korean, Norwegian, Polish, Brazilian Portuguese, Russian, Slovenian, Spanish, Swedish and Turkish.
	<b>Warranty Languages</b>	English, Arabic, S. Chinese, T. Chinese, Czech, Danish, Dutch, Finnish, French, German, Greek, Hungarian, Italian, Japanese, Kazakh, Korean, Norwegian, Polish, Brazilian Portuguese, Russian, Slovenian, Spanish, Swedish and Turkish.
	<b>Color</b>	Black
	<b>VESA Mounting</b>	100 mm VESA mount
	<b>Security Lock-Ready</b>	Yes
	<b>Country of Origin</b>	China
<b>Certification and Compliance</b>	TCO Certified Edge, CEL Grade 1, Microsoft WHQL Certification (Windows 10, Windows 8.1 and Windows 7), ENERGY STAR® Qualified, EPEAT® Gold <sup>2</sup> , CE, CB, KC, KCC, NOM, PSB, ICE, TUV-S, ISO 9241-307, EAC, UL, CSA, PSB, ISC, CCC, CECP, SEPA, ISC, VCCI, FCC, BSMI, WEEE	
<b>Compatibility</b>	Compatible with platforms using the VESA standard video modes. Recommended for use with HP products.	
<b>Service and Warranty</b>	Protected by HP, including a 3 year standard limited warranty. Optional HP Care Pack Services are extended service contracts that extend your protection beyond the standard warranties. <sup>3</sup>	

© Copyright 2016 Hewlett-Packard Development Company, L.P.

ENERGY STAR is a registered mark owned by the U.S. government. All specifications represent the typical specifications provided by HP's component manufacturers; actual performance may vary either higher or lower. The only warranties for HP products and services are set forth in the express warranty statements accompanying such products and services. Nothing herein should be construed as constituting an additional warranty. HP shall not be liable for technical or editorial errors or omissions contained herein.

1. External power supplies, power cords, cables and peripherals are not Low Halogen. Service parts obtained after purchase may not be Low Halogen.
2. EPEAT® Gold where HP registers commercial display products. See [www.epeat.net](http://www.epeat.net) for registration status in your country.
3. Service levels and response times for HP Care Pack Services may vary depending on your geographic location. Service starts from date of hardware purchase. Restrictions and limitations apply. See <http://www.hp.com/go/cpc> for details.
4. The HP Quick Release has been designed to support a maximum of up to 24 lbs (10.9 kg) for all devices mounted. Because mounting surfaces vary widely and the final mounting method and configuration may vary, mounting fasteners are not supplied (other than the VESA-compliant screws). HP recommends that you consult with a qualified engineering, architectural or construction professional to determine the appropriate type and quantity of mounting fasteners required for your application and to ensure that your mounting solution is properly installed to support applied loads.

## *Change Log*

<b>Date of change:</b>	<b>Version History:</b>	<b>Action</b>	<b>Description of change:</b>
October 16, 2015	From v1 to v2	Update	“HP UHD USB Graphics Adapter” to “HP Dual Output USB Graphics Adapter”
May 09, 2016	From v2 to v3	Update	Environmental Values
October 10, 2016	From v3 to v4	Added	Windows 10 Certification