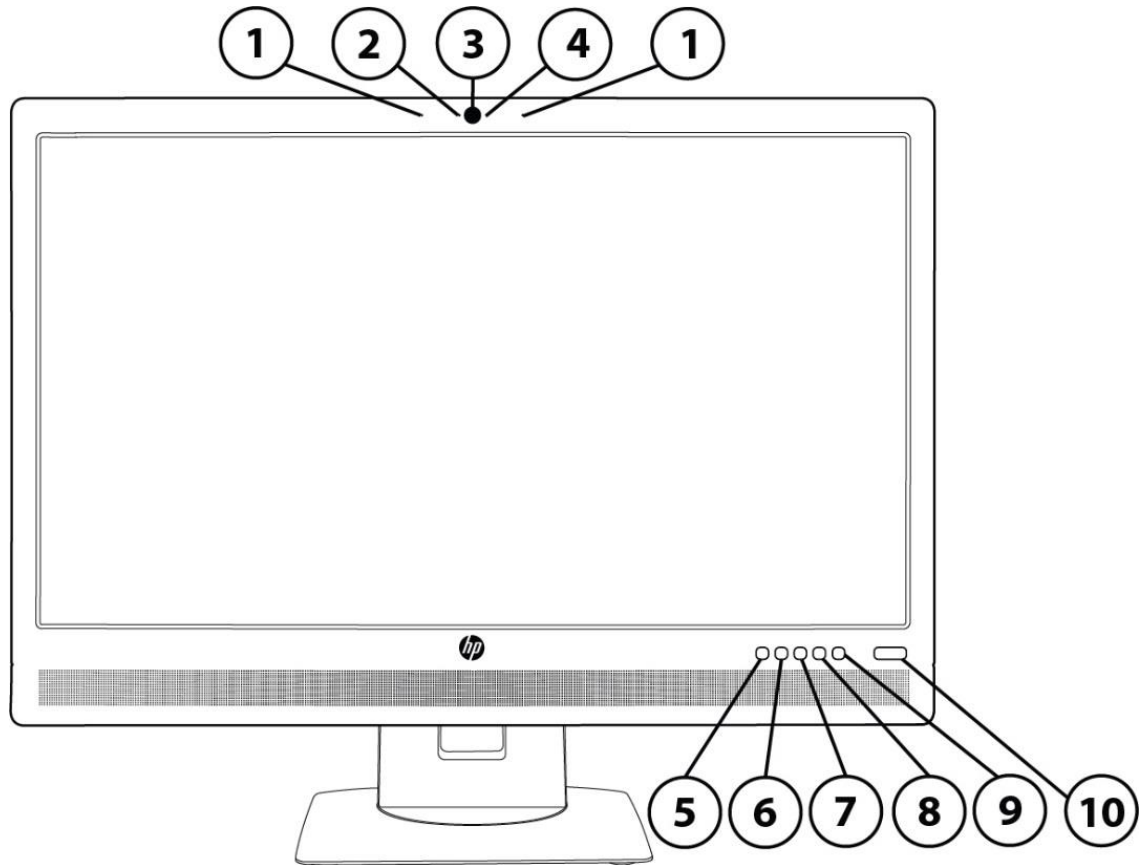


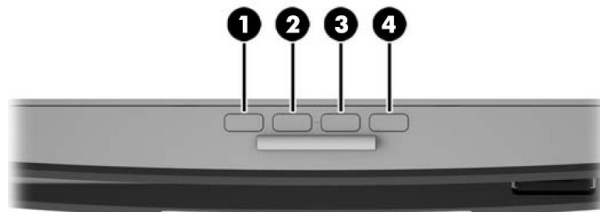
### Overview

### HP EliteDisplay E240c 23.8-inch Video Conferencing Monitor



- 1. Microphone (2)
- 2. Webcam LED
- 3. Lens cover
- 4. Webcam
- 5. Volume control (decrease)

- 6. Volume control (increase)
- 7. Volume mute
- 8. Microphone mute
- 9. Telephone connect
- 10. Power button

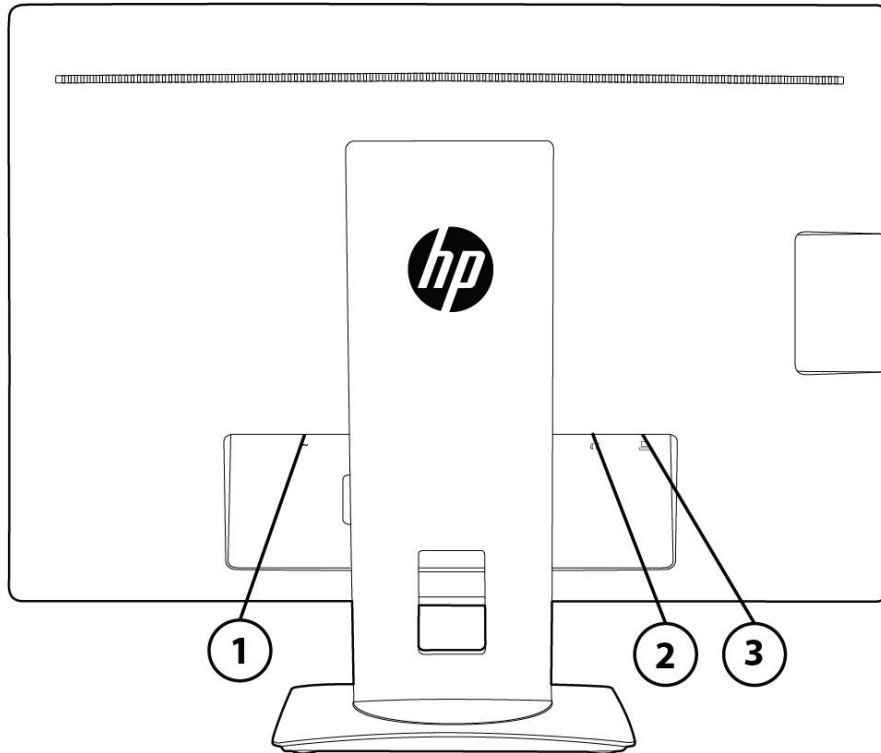


#### On-screen display controls

- 1. Menu
- 2. Minus (-)

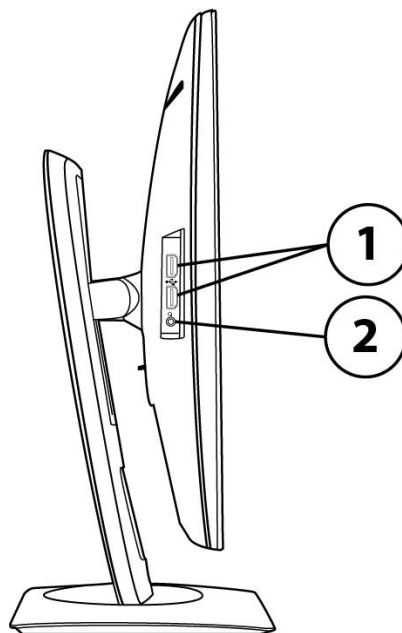
- 3. Plus (+)
- 4. OK

### Overview



- 1. Power input
- 2. Audio line in connector

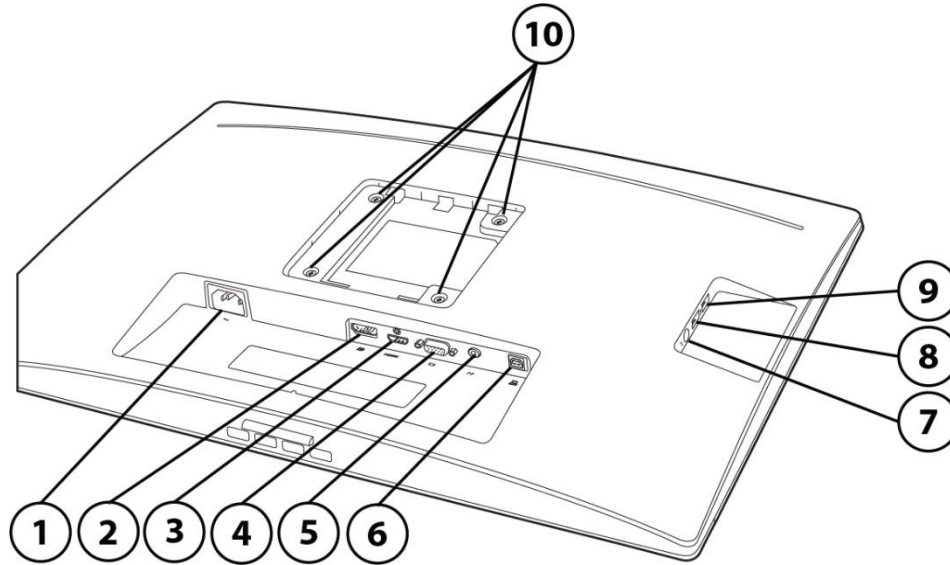
- 3. USB 2.0 upstream



- 1. USB 2.0 ports

- 2. Headphone connector

### Overview



- |    |                           |     |  |
|----|---------------------------|-----|--|
| 1. | Power connector           | 6.  | USB 2.0 upstream connector                   |
| 2. | DisplayPort 1.2 connector | 7.  | Headphone connector                          |
| 3. | HDMI connector            | 8.  | USB connector                                |
| 4. | VGA connector             | 9.  | USB connector                                |
| 5. | Audio line in connector   | 10. | VESA industry standard 100 mm mounting holes |

### Overview

#### Overview

Comfortably connect and collaborate with the HP EliteDisplay E240c 23.8-inch Video Conferencing Monitor, a one-stop communications hub<sup>1</sup> that's also a TCO Certified Edge, Full HD display Certified for Windows 10.

#### Key features:

- Meet with colleagues and clients in real-time with a Certified for Skype for Business display that has an HD webcam, microphone, and digital audio.<sup>1</sup>
- Place a call, adjust the volume, and put yourself on mute with easy-access bezel buttons.
- Create your ideal workspace with adjustable, height, tilt, and swivel settings.
- Navigate easily across all your windows and enjoy crisp, clear color on the 23.8-inch diagonal Full HD screen with wide-angle IPS technology.
- Complete your collaboration solution with an HP accessory designed to maximize the latest communication technologies.<sup>2</sup>
- Attach your HP PC or select HP Thin Client directly behind the display.<sup>3</sup>
- Connect the display to your PC or notebook and experience all Windows 10 has to offer.
- Connect to a range of PCs and devices with HDMI, DisplayPort, VGA, and USB inputs.
- Get an intelligent, energy-efficient design that is ENERGY STAR<sup>®</sup> certified, EPEAT<sup>®</sup> Gold registered<sup>4</sup>, and meets TCO Certified Edge requirements with 85% Post-Consumer Recycled plastics.
- Design the screen for how you work with HP Display Assistant software, which enables screen partitioning and helps deter theft by deactivating a monitor that's disconnected without approval.
- Get three years of service and support, and extend your protection with optional HP Care Packs.<sup>5</sup>

1 Internet connection required and sold separately.

2 Each sold separately.

3 Requires HP PC Mounting Bracket for Monitors, sold separately. See product QuickSpecs for exact PC and thin client compatibility.

4 EPEAT<sup>®</sup> registered where applicable. EPEAT registration varies by country. See [www.epeat.net](http://www.epeat.net) for registration status by country.

5 Sold separately. Service levels and response times for HP Care Packs may vary depending on your geographic location. Service starts on date of hardware purchase. Restrictions and limitations apply. For details, visit [www.hp.com/go/cpc](http://www.hp.com/go/cpc). HP Services are governed by the applicable HP terms and conditions of service provided or indicated to Customer at the time of purchase. Customer may have additional statutory rights according to applicable local laws, and such rights are not in any way affected by the HP terms and conditions of service or the HP Limited Warranty provided with your HP Product.

### Technical Specifications

#### Models:

M1P00AA- HP EliteDisplay E240c 23.8-inch Video Conferencing Monitor

<b>Panel</b>	<b>Type</b>	23.8 inch IPS with LED backlight	
	<b>Viewable Image Area (diagonal)</b>	<b>60,45 cm</b> (23.8-inch) widescreen; diagonally measured	
	<b>Panel Active Area (W × H)</b>	<b>52,7 x 29,6 cm</b> (20.74 x 11.67 in)	
	<b>Resolution</b>	1920 x1080 @ 60 Hz	
	<b>Aspect Ratio</b>	16:9	
	<b>Viewing Angle</b>	Up to 178° horizontal/178° vertical typical	
	<b>Brightness</b>	250 cd/m <sup>2</sup>	
	<b>Contrast Ratio (Typical)</b>	1000:1 Static; 5,000,000:1 Dynamic (DCR)	
	<b>Response Times*</b>	7 ms gray to gray	
	<b>Pixel Pitch</b>	0.2745 x 0.205 mm	
	<b>Pixels Per Inch (PPI)</b>	92.559	
	<b>Backlight Lamp Life (to half brightness)</b>	30,000 hours minimum	
	<b>Color Support</b>	Up to 16.7 million colors with the use of FRC technology	
	<b>Color Gamut (Typical)</b>	72%	
* Performance specifications represent the typical specifications provided by HP's component manufacturers; actual performance may vary either higher or lower.			
<b>User Controls</b>	<b>Buttons or Switches</b>	<b>Collaboration Controls</b> (front bezel)	Volume -, Volume +, Volume mute, Microphone mute, Telephone connect, Power button
		<b>OSD Controls</b>	Menu, Minus ("-"), Plus ("+"), OK
	<b>User Programmable Modes</b>	Yes, 10	
	<b>Languages</b>	10 (English, Spanish, German, French, Italian, Netherlands, Portuguese, Japanese, T-Chinese and S-Chinese)	
	<b>On Screen Display (OSD) User Controls</b>	Brightness, Contrast, Color Control, Input Control, Image Control, Power Control, Menu Control, Management, Language, Information	
<b>Signal Interface/ Performance</b>	<b>Horizontal Frequency</b>	30 -80 kHz	
	<b>Vertical Frequency</b>	50 – 60 Hz	
	<b>Native Resolution</b>	1920 x1080 @ 60 Hz	
	<b>Preset Graphic Modes (non-interlaced)</b>	Note: The video card of the connected PC must be capable of supporting 1920 x 1080 at 60 Hz and include 1VGA output, 1 DisplayPort output, and 1 HDMI output to drive the monitor at the Preferred Mode. 640 x 480 @ 60Hz 720 x 400 @ 70 Hz 800 x 600 @ 60 Hz	

### Technical Specifications

1024 x 768 @ 60 Hz  
 1280 x 720 @ 60 Hz  
 1280 x 1024 @ 60 Hz  
 1280 x 800 @ 60Hz  
 1440 x 900 @ 60 Hz  
 1600 x 900 @ 60 Hz  
 1680 x 1050 @ 60 Hz  
 1920 x 1080 @ 60Hz

**Maximum Pixel Clock Speed** 170 MHz

**Anti-Glare** Yes

#### Video/Other Inputs

**Plug and Play** Yes

**Input Connectors** 1) DisplayPort 1.2a, (1) HDMI 1.3, (1) VGA  
 HDCP support on DisplayPort and HDMI

**USB** (3) USB 2.0 (Two downstream and one upstream)

**Cables Included** (1) DisplayPort **1,8 m** (5.9 ft) ; (1) VGA **1,8 m** (5.9 ft);  
 (1) USB **1,8 m** (5.9 ft)

**Audio** (1) Audio input

#### Multimedia

**Webcam** 720p integrated HD with dual microphones and LED

**Speakers** Internal 2 W per channel speakers

#### Power

**Power Supply** Internal

**Input Power** 100 - 240 VAC 50/60 Hz

**Maximum Power** 43 W

**Typical Power** 33 W

**Sleep Power** 0.5 W (standby)

**Power Cable Length** **1.9 m** (6.2 ft)

#### Mechanical

**Dimensions** **Unpacked w/stand** **56,39 x 18,9 x 52,12 cm**  
 (W x D x H) (22.2 x 7.4 x 20 in)

**Unpacked w/o stand** **56,39 x 4,91 x 38,39 cm**  
 (head only) (22.2 x 1.93 x 15.1 in)

**Packaged** **65,5 x 22,6 x 46,8 cm**  
 (25.79 x 8.90 x 18.4 in)

**Weight** **Head Only** **4 kg** (8.8 lb)

**Unpacked with stand** **6,3 kg** (13.9 lb)

**Packaged** **7,8 kg** (17.2 lb)

#### Ergonomic Features

**Detachable Stand** Yes, ships detached

**Height Adjustment** Yes, 150 mm

**Tilt Range** -5° to +25°

**Swivel** ±45°

**Pivot** N/A

### Technical Specifications

<b>Environmental</b>	<b>Temperature - Operating</b>	<b>5° to 35° C</b> (41° to 95° F)
	<b>Temperature - Non-operating</b>	<b>-20° to 60° C</b> (-4° to 140° F)
	<b>Humidity - Operating</b>	20% to 80% non-condensing
	<b>Humidity - Non-operating</b>	5% to 95%, 38.7° C max wet-bulb
	<b>Altitude - Operating</b>	<b>0 to 5,000 m</b> (0 to 16,400 ft)
	<b>Altitude - Non-operating</b>	<b>0 to 12,192 m</b> (0 to 40,000 ft)
	<b>White LED Backlights</b>	Yes
	<b>CCFL Panel</b>	No
	<b>Arsenic-Free Display Glass</b>	Yes
	<b>Low Halogen<sup>1</sup></b>	Yes
	<b>Mercury-Free Display Backlighting</b>	Yes, Mercury-free LED backlighting
<b>Options</b> (sold separately)	<b>HP Single Monitor Arm—Part number BT861AA</b>	The flexible design of the HP Single Monitor Arm provides a seemingly endless range of display adjustments with an amazing 13 inches of lift, 75 degrees of tilt, and 360 degrees of pan and rotation – all at your fingertips -- helping you stay comfortable and productive throughout the day.
	<b>HP LCD Monitor Quick Release — Part number EM870AA<sup>4</sup></b>	An easy-to-use, VESA-compliant, LCD monitor mounting solution that allows you to quickly and securely attach an LCD monitor to a variety of stands, brackets, arms or wall mounts. For more information, refer to this product's QuickSpecs document.
	<b>HP Business PC Security Lock v2 Kit— Part number N3R93AA</b>	Help prevent chassis tampering and secure your PC and display in workspaces and public areas with the HP Business PC Security Lock v2 Kit.
	<b>HP PC Mounting Bracket for Monitors— Part number N6N00AA</b>	Customize an altogether better solution with the HP PC Mounting Bracket for Monitors, which lets you attach your HP Desktop Mini, HP Chromebox, or select HP Thin Client directly behind select HP Z Displays and EliteDisplays.
	<b>HP Dual Output USB Graphics Adapter – Part Number C5U89AA</b>	You can boost your productivity by creating a dual-monitor setup with the HP Dual Output USB Graphics Adapter – featuring both DVI-I and DisplayPort inputs to drive displays at high resolutions through a single USB 3.0 connection to your PC.
<b>What's in the box?</b>	<b>Monitor and Accessories</b>	HP EliteDisplay E240c 23.8-inch Video Conferencing Monitor AC power cord <b>1,9 m</b> (6.2 ft) VGA cable <b>1,8 m</b> (5.9 ft) DisplayPort cable <b>1,8 m</b> (5.9 ft) USB cable <b>1,8 m</b> (5.9 ft)
	<b>Documentation</b>	CD (includes user guide, warranty, drivers, software)
	<b>Software</b>	HP Display Assistant and Cyberlink YouCam.

### Technical Specifications

<b>Other</b>	<b>User Guide Languages</b>	English, Arabic, S. Chinese, T. Chinese, Czech, Danish, Dutch, Finnish, French, German, Greek, Hungarian, Italian, Japanese, Kazakh, Korean, Norwegian, Polish, Brazilian Portuguese, Russian, Slovenian, Spanish, Swedish and Turkish.
	<b>Warranty Languages</b>	English, Arabic, S. Chinese, T. Chinese, Czech, Danish, Dutch, Finnish, French, German, Greek, Hungarian, Italian, Japanese, Kazakh, Korean, Norwegian, Polish, Brazilian Portuguese, Russian, Slovenian, Spanish, Swedish and Turkish.
	<b>Color</b>	Black Bezel and Rear Cover; Silver Stand
	<b>VESA Mounting</b>	100 mm VESA mount
	<b>Security Lock-Ready</b>	Yes
	<b>Country of Origin</b>	China
<b>Certification and Compliance</b>	TCO Certified Edge, CEL Grade 1, Microsoft WHQL Certification (Windows 10, Windows 8.1 and Windows 7), ENERGY STAR® Qualified, EPEAT® Gold <sup>2</sup> , CE, CB, KC, KCC, NOM, PSB, ICE, TUV-S, ISO 9241-307, EAC, UL, CSA, PSB, ISC, CCC, CECP, SEPA, ISC, VCCI, FCC, BSMI, Vietnam MEPS, Australian-New Zealand MEPS, WEEE	
<b>Compatibility</b>	Compatible with platforms using the VESA standard video modes. Recommended for use with HP products.	
<b>Service and Warranty</b>	Protected by HP, including a 3 year standard limited warranty. Optional HP Care Pack Services are extended service contracts that extend your protection beyond the standard warranties. <sup>3</sup>	

### Environmental Data

<b>Eco-Label Certifications &amp; declarations</b>	This product has received or is in the process of being certified to the following approvals and may be labeled with one or more of these marks:		
	<ul style="list-style-type: none"> <li>• IT ECO declaration</li> <li>• US ENERGY STAR®</li> <li>• TCO 6.0 / TCO Certified Edge</li> <li>• EPEAT® &lt;Gold&gt; registered in the United States. See <a href="http://www.epeat.net">http://www.epeat.net</a> for registration status in your country</li> </ul>		

### Energy Consumption (in accordance with US ENERGY STAR® test method)

	<b>115VAC, 60Hz</b>	<b>230VAC, 50Hz</b>	<b>100VAC, 60Hz</b>
Normal Operation	17.6 W	17.6 W	17.7 W
Sleep	0.26 W	0.33 W	0.26 W
Off	0.17 W	0.23 W	0.17 W

### Heat Dissipation\*

	<b>115VAC, 60Hz</b>	<b>230VAC, 50Hz</b>	<b>100VAC, 60Hz</b>
Normal Operation	60 BTU/hr	60 BTU/hr	61 BTU/hr
Sleep	1 BTU/hr	1 BTU/hr	1 BTU/hr
Off	1 BTU/hr	1 BTU/hr	1 BTU/hr

\*NOTE: Heat dissipation is calculated based on the measured watts, assuming the service level is attained for one hour.



### Technical Specifications

#### Additional Information

- This product is in compliance with the Restrictions of Hazardous Substances (RoHS) directive - 2002/95/EC.
- This HP product is designed to comply with the Waste Electrical and Electronic Equipment (WEEE) Directive – 2002/96/EC.
- This product is in compliance with California Proposition 65 (State of California; Safe Drinking Water and Toxic Enforcement Act of 1986).
- This product is in compliance with the IEEE 1680 (EPEAT) standard at the Gold level, see [www.epeat.net](http://www.epeat.net)
- Plastics parts weighing over 25 grams used in the product are marked per ISO 11469 and ISO1043.
- This product contains 51.6 % post-consumer recycled plastic (by wt.)
- This product is 99.5 % recycle-able when properly disposed of at end of life.

#### Packaging Materials

<b>External:</b>	PAPER/Paper	470 g
<b>Internal:</b>	PLASTIC/EPS (Expanded Polystyrene)	456 g
	PLASTIC/EPE-Expanded Polyethylene	30 g
	PLASTIC/Other plastics unknown	3 g

#### RoHS Compliance

Hewlett-Packard is committed to compliance with all applicable environmental laws and regulations, including the European Union Restriction of Hazardous Substances (RoHS) Directive. HP's goal is to exceed compliance obligations by meeting the requirements of the RoHS Directive on a worldwide basis. By July 1, 2006, RoHS substances will be virtually eliminated (virtually = to levels below legal limits) for all HP electronic products subject to the RoHS Directive, except where it is widely recognized that there is no technically feasible alternative (as indicated by an exemption under the EU RoHS Directive).

### Technical Specifications

#### Material Usage

This product does not contain any of the following substances in excess of regulatory limits (refer to the HP General Specification for the Environment at <http://www.hp.com/hpinfo/globalcitizenship/environment/pdf/gse.pdf>):

- Asbestos
- Certain Azo Colorants
- Certain Brominated Flame Retardants – may not be used as flame retardants in plastics
- Cadmium
- Chlorinated Hydrocarbons
- Chlorinated Paraffins
- Formaldehyde
- Halogenated Diphenyl Methanes
- Lead carbonates and sulfates
- Lead and Lead compounds
- Mercuric Oxide Batteries
- Nickel – finishes must not be used on the external surface designed to be frequently handled or carried by the user.
- Ozone Depleting Substances
- Polybrominated Biphenyls (PBBs)
- Polybrominated Biphenyl Ethers (PBBEs)
- Polybrominated Biphenyl Oxides (PBBOs)
- Polychlorinated Biphenyl (PCB)
- Polychlorinated Terphenyls (PCT)
- Polyvinyl Chloride (PVC) – except for wires and cables, and certain retail packaging has been voluntarily removed from most applications.
- Radioactive Substances
- Tributyl Tin (TBT), Triphenyl Tin (TPT), Tributyl Tin Oxide (TBTO)

#### Packaging

HP follows these guidelines to decrease the environmental impact of product packaging:

- Eliminate the use of heavy metals such as lead, chromium, mercury and cadmium in packaging materials.
- Eliminate the use of ozone-depleting substances (ODS) in packaging materials.
- Design packaging materials for ease of disassembly.
- Maximize the use of post-consumer recycled content materials in packaging materials.
- Use readily recyclable packaging materials such as paper and corrugated materials.
- Reduce size and weight of packages to improve transportation fuel efficiency.
- Plastic packaging materials are marked according to ISO 11469 and DIN 6120 standards.

#### End-of-life Management and Recycling

Hewlett-Packard offers end-of-life HP product return and recycling programs in many geographic areas. To recycle your product, please go to: <http://www.hp.com/go/reuse-recycle> or contact your nearest HP sales office. Products returned to HP will be recycled, recovered or disposed of in a responsible manner.

The EU WEEE directive (2002/95/EC) requires manufacturers to provide treatment information for each product type for use by treatment facilities. This information (product disassembly instructions) is posted on the Hewlett Packard web site at: <http://www.hp.com/go/recyclers>. These instructions may be used by recyclers and other WEEE treatment facilities as well as HP OEM customers who integrate and re-sell HP equipment.

### Technical Specifications

#### Hewlett-Packard Corporate Environmental Information

For more information about HP's commitment to the environment:

Global Citizenship Report

<http://www.hp.com/hpinfo/globalcitizenship/gcreport/index.html>

Eco-label certifications

<http://www.hp.com/hpinfo/globalcitizenship/environment/productdesign/ecolabels.html>

ISO 14001 certificates:

<http://www.hp.com/hpinfo/globalcitizenship/environment/operations/envmanagement.html>

© Copyright 2016 Hewlett-Packard Development Company, L.P.

ENERGY STAR is a registered mark owned by the U.S. government. All specifications represent the typical specifications provided by HP's component manufacturers; actual performance may vary either higher or lower. The only warranties for HP products and services are set forth in the express warranty statements accompanying such products and services. Nothing herein should be construed as constituting an additional warranty. HP shall not be liable for technical or editorial errors or omissions contained herein.

1. External power supplies, power cords, cables and peripherals are not Low Halogen. Service parts obtained after purchase may not be Low Halogen.
2. EPEAT® Gold where HP registers commercial display products. See [www.epeat.net](http://www.epeat.net) for registration status in your country.
3. Service levels and response times for HP Care Pack Services may vary depending on your geographic location. Service starts from date of hardware purchase. Restrictions and limitations apply. See <http://www.hp.com/go/cpc> for details.
4. The HP Quick Release has been designed to support a maximum of up to 24 lbs (10.9 kg) for all devices mounted. Because mounting surfaces vary widely and the final mounting method and configuration may vary, mounting fasteners are not supplied (other than the VESA-compliant screws). HP recommends that you consult with a qualified engineering, architectural or construction professional to determine the appropriate type and quantity of mounting fasteners required for your application and to ensure that your mounting solution is properly installed to support applied loads.

### Change Log

<b>Change Log</b>	
From v1 to v2 10/16/2015	
<b>Changed</b>	“HP UHD USB Graphics Adapter” to “HP Dual Output USB Graphics Adapter”.
<b>Added</b>	Environmental Data Specs
From v2 to v3 1/11/2016	
<b>Changed</b>	Remove My Room from software options.
From v3 to v4 10/06/2016	
<b>Updated</b>	Added Windows 10 certification