

### Overview

## HP Docking Solutions for HP ZBook G3/G4 Mobile Workstations

### Models

HP UltraSlim Docking Station	D9Y32AA
HP ZBook Dock with Thunderbolt™ 3 (150W)	P5Q58AA
HP ZBook Dock with Thunderbolt™ 3 (200W)	P5Q61AA

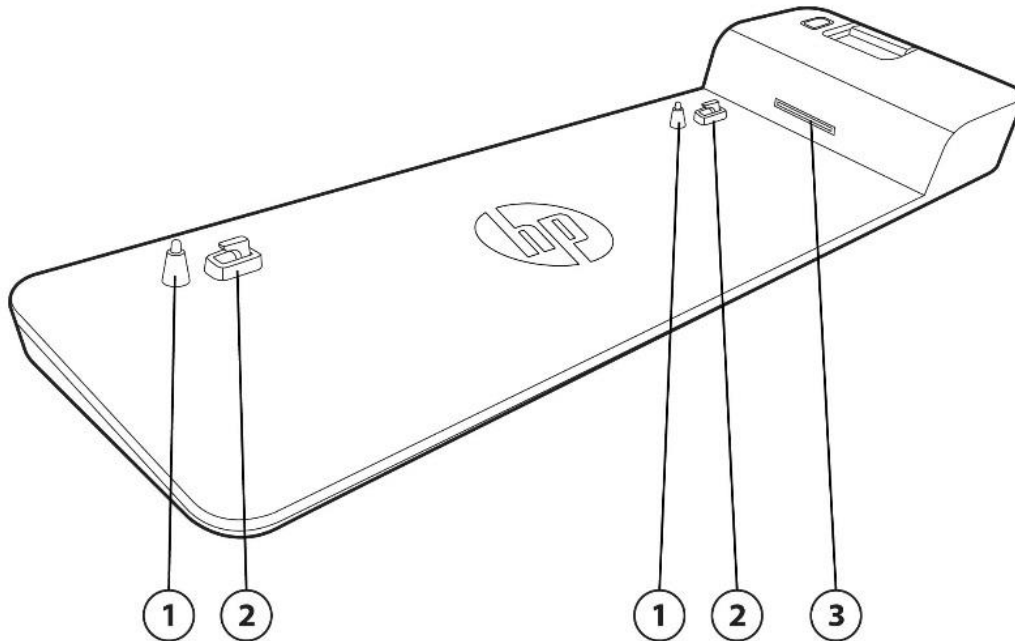
### Compatibility

Docking Station	Mobile Workstation
HP UltraSlim Docking Station	HP ZBook 15u G3/G4, HP ZBook 14u G4
HP ZBook Dock with Thunderbolt™ 3 (150W)	HP ZBook 15 G3/G4, HP ZBook Studio G3/G4
HP ZBook Dock with Thunderbolt™ 3 (200W)	HP ZBook 17 G3/G4

**NOTE:** Your mobile workstation, docking station, and monitor must all support USB 3.0 and DisplayPort 1.2 to benefit from the advanced speeds or features that these technologies provide. If one of the devices does not support these technologies, you will still have USB 2.0 and DisplayPort 1.1 functionality.

### Overview

#### HP UltraSlim Docking Station – Front side

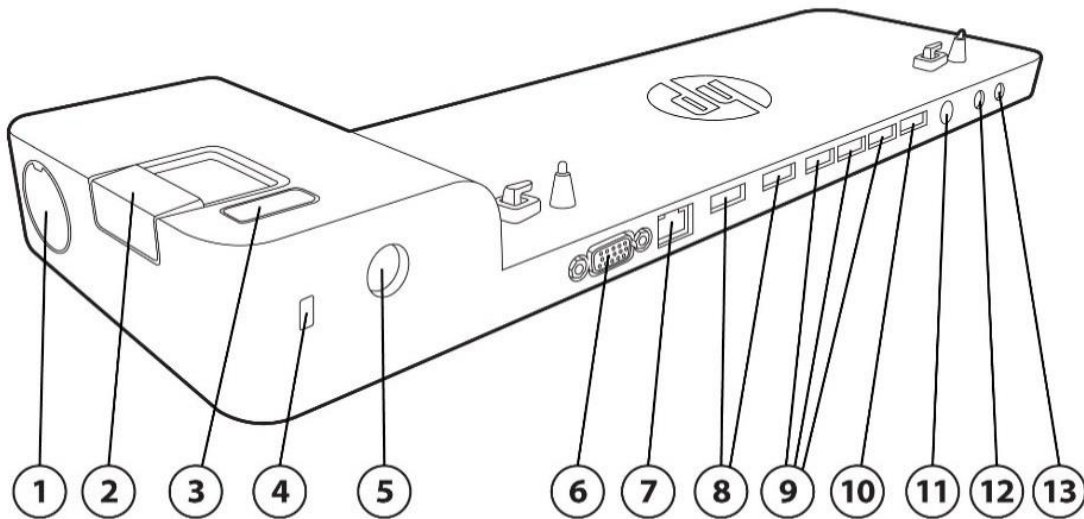


1. Docking posts
2. Locking mechanism

3. Side docking connector

### Overview

#### HP UltraSlim Docking Station – Rear side



- |  |                               |
|--|-------------------------------|
| 1. Docking station cable lock slot (lock not included) | 8. DisplayPort 1.2 (2)        |
| 2. Connection button                                   | 9. USB 3.0 ports (3)          |
| 3. Power on/off  | 10. USB 3.0 charging port (1) |
| 4. Lock slot (lock not included)                       | 11. Power connector           |
| 5. Docking station cable lock slot (lock not included) | 12. Line in jack              |
| 6. VGA port  | 13. Line out jack             |
| 7. LAN/Ethernet port                                   |                               |

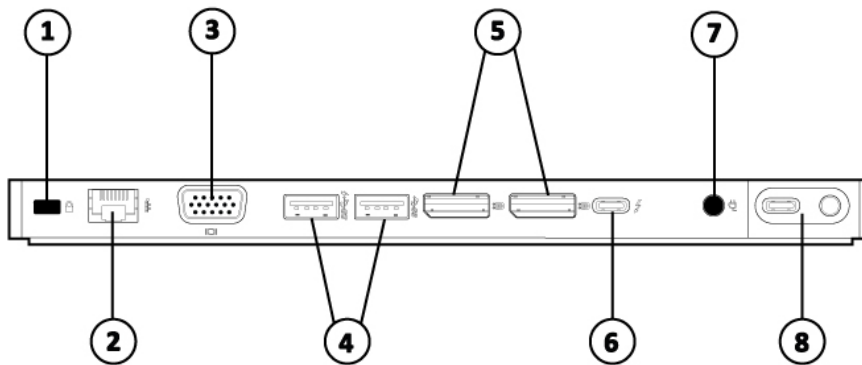
### Overview

#### HP ZBook Thunderbolt™ 3 Dock – Front side



- 1. Power button
- 2. USB 3.0 ports (2)
- 3. Headphone/microphone combo jack

#### HP ZBook Thunderbolt™ 3 Dock – Back side



- 1. Security lock slot
- 2. Ethernet port
- 3. VGA port
- 4. USB 3.0 ports (2 total, 1 charging)
- 5. DisplayPort 1.2 (2)
- 6. Thunderbolt™3 port
- 7. Power connector
- 8. Thunderbolt™3 / power cable connector

### Technical Specifications

#### HP UltraSlim Docking Station

D9Y32AA

##### Front Components

<b>Docking posts (2)</b>	Align and secure the computer for proper connection to the docking station
<b>Computer connect/ release mechanisms (2)</b>	Connect and release the computer when you press the connection button
<b>Docking connector</b>	Docking connector for mobile workstation
<b>Connect button</b>	Secures and releases the computer Slide in to secure the computer Slide out to release the computer
<b>LEDs</b>	AC present: aqua white; Dock connected: white; two RJ45 LEDs: amber/green

##### Rear Components

<b>AC power port</b>	Energy-efficient 65W Smart AC adapter features integrated surge protection to help against power fluctuations.
<b>Integrated cable lock slot</b>	Supports the HP Docking Station Cable Lock with a simplified locking mechanism. Gives you two security options: lock the docking station only (which also prevents access to the Station drive bay); or lock both the docking station and your mobile workstation for additional security. Also supports an industry standard mobile workstation lock.
<b>Network connectors</b>	RJ-45 / Ethernet pass thru
<b>USB ports</b>	3 USB 3.0 ports, 1 USB 3.0 charging port
<b>Audio connectors</b>	Line-In; Line-Out
<b>Other connectors</b>	VGA, DisplayPort 1.1a (DP 1.2 capable)

**NOTE:** Your mobile workstation, docking station, and monitor must all support USB 3.0 and DisplayPort 1.2 to benefit from the advanced speeds or features that these technologies provide. If one of the devices does not support these technologies, you will still have USB 2.0 and DisplayPort 1.1 functionality.

### Technical Specifications

#### HP UltraSlim Docking Station

<b>Dimensions</b> (H x W x D)	1.7 x 14.5 x 4.2 in (4.4 x 36.8x 10.7 cm)
<b>Weight</b>	1.69 lb (0.76 kg)
<b>Stand-alone power requirements</b>	
Normal Operating Voltage	18.5 V
Average Operating Power	18.5 W
Max Operating Power	< 65 W
<b>Temperature</b>	
Operating	32° to 95° F (0° to 35° C)
Non-operating	4° to 140° F (-20° to 60° C)
<b>Relative humidity</b>	
Operating	10% to 90%, non-condensing
Non-operating	5% to 95%, 101.6° F (38.7° C) maximum wet bulb temperature
<b>Altitude</b>	
Operating	-50 to 10,000 ft (-15.24 to 3,048 m)
Non-operating	-50 to 40,000 ft (-15.24 to 12,192 m)
<b>Shock</b>	
Operating	125 G, 2 ms, half-sine
Non-operating	200 G, 2 ms, half-sine
<b>Random vibration</b>	
Operating	0.75 grms
Non-operating	1.50 grms
<b>Option Kit Contents</b>	2013 HP UltraSlim Docking Station, AC power adapter, documentation

---

### Technical Specifications

**HP ZBook 150W Thunderbolt™ 3 Dock**

**P5Q58AA**

**HP ZBook 200W Thunderbolt™ 3 Dock**

**P5Q61AA**

#### Front Components

<b>Power button</b>	Turns on the power to the computer
<b>Computer power light</b>	Light on: docked computer is turned on Light blinking: docked computer is in standby mode
<b>Connect light</b>	Light on: computer is fully docked Light blinking: computer is in standby mode
<b>Audio connector</b>	Combo audio mic/headphones
<b>USB 3.0 ports</b>	(2) Two USB 3.0 ports allow you to connect to standard USB devices.

#### Rear/Right-Side Components

<b>AC power port</b>	Energy-efficient 150W or 200W Smart AC adapter features integrated surge protection to help against power fluctuations.
<b>Powered USB 3.0 port</b>	(1) One powered USB 3.0 port allows you to connect to select USB devices
<b>USB 3.0 ports</b>	(1) One USB 3.0 port allows you to connect to standard USB devices.
<b>Thunderbolt™ 3 Port</b>	(1) One Thunderbolt™3 port provides external device charging up to 15 watts;
<b>Video Connectors</b>	(2) Two DisplayPort 1.2 ports, (1) one VGA port
<b>Power Connectors</b>	(1) One Thunderbolt™/Power combination cable connector to connect to ZBook system (1) One 4.5mm power connector for 150W or 200W AC Adapter.
<b>Integrated cable lock slot</b>	Supports HP Cable Locks. Also supports HP Dual Head Cable Lock.
<b>Network connectors</b>	(1) Ethernet port; Broadcom NetXtreme Gigabit Ethernet
<b>Docking Cable</b>	Thunderbolt™ 3 power cable connects the computer to the docking station

**NOTE:** Your mobile workstation must support Thunderbolt™ 3 to enable the docking station. Docking station, and monitor must all support USB-C™, USB 3.0 and DisplayPort 1.2 to benefit from the advanced speeds or features that these technologies provide. If one of the devices does not support these technologies, you will still have USB 2.0 and DisplayPort 1.1 functionality.

### Technical Specifications

#### HP ZBook 150W Thunderbolt™3 Dock

##### Dimensions (H x W x D)

230 x 57 x 16mm (w/o feet), 9.05 x 2.24 x 0.63 in

230 x 57 x 17.5mm(w/ feet), 9.05 x 2.24 x 0.69 in

##### Weight

227g (0.5 lb)

##### Stand-alone power requirements

Normal Operating Voltage 19.5V

Average Operating Power 0.29W

Max Operating Power 150W

##### Temperature

Operating 32° to 95° F (0° to 35° C)

Non-operating 4° to 140° F (-20° to 60° C)

##### Relative humidity

Operating 10% to 90%, non-condensing

Non-operating 5% to 95%, 101.6° F (38.7° C) maximum wet bulb temperature

##### Altitude

Operating -50 to 10,000 ft (-15.24 to 3,048 m)

Non-operating -50 to 40,000 ft (-15.24 to 12,192 m)

##### Shock

Operating 125 G, 2 ms, half-sine

Non-operating 200 G, 2 ms, half-sine

##### Random vibration

Operating 0.75 grms

Non-operating 1.50 grms

##### Option Kit Contents

HP ZBook 150W Thunderbolt™3 Dock, Thunderbolt™/AC power cable, 150W A/C power adapter, documentation



### Technical Specifications

#### HP ZBook 200W Thunderbolt™ 3 Dock

##### Dimensions (H x W x D)

230 x 57 x 16mm (w/o feet), 9.05 x 2.24 x 0.63 in

230 x 57 x 17.5mm(w/ feet), 9.05 x 2.24 x 0.69 in

##### Weight

227g (0.5 lb)

##### Stand-alone power requirements

Normal Operating Voltage	19.5V
Average Operating Power	0.368W
Max Operating Power	200W

##### Temperature

Operating	32° to 95° F (0° to 35° C)
Non-operating	4° to 140° F (-20° to 60° C)

##### Relative humidity

Operating	10% to 90%, non-condensing
Non-operating	5% to 95%, 101.6° F (38.7° C) maximum wet bulb temperature

##### Altitude

Operating	-50 to 10,000 ft (-15.24 to 3,048 m)
Non-operating	-50 to 40,000 ft (-15.24 to 12,192 m)

##### Shock

Operating	125 G, 2 ms, half-sine
Non-operating	200 G, 2 ms, half-sine

##### Random vibration

Operating	0.75 grms
Non-operating	1.50 grms

##### Option Kit Contents

HP ZBook 200W Thunderbolt™ 3 Dock, Thunderbolt/AC power cable, 200W A/C power adapter, documentation

### Technical Specifications

#### **Service and Support**

HP Docking Stations for HP ZBook G3/G4 Mobile Workstations are supported by a one-year limited warranty. Additional support is available 24 hours a day, seven days a week by phone as well as online support forums.

<http://h20565.www2.hp.com/portal/site/hpsc/public/psi/home/>

**NOTE:** Certain restrictions and exclusions apply. Consult the HP Customer Support Center for details.

---

### Summary of Changes

Date of change	Version History		Description of change
	From v1 to v2		Stand-alone power requirements from 19.7V to 19.5V
July 1, 2016	From v2 to v3	Added	Link in Service and Support Section
		Changed	Network Connector type for 150/200W Dock
May 1, 2017	From v3 to v4	Added	Compatibility with G4 Mobile Workstations

© Copyright 2017, 2017 HP Development Company, L.P.

The information contained herein is subject to change without notice. The only warranties for HP products and services are set forth in the express warranty statements accompanying such products and services. Nothing herein should be construed as constituting an additional warranty. HP shall not be liable for technical or editorial errors or omissions contained herein. Thunderbolt and the Thunderbolt logo are trademarks of Intel Corporation in the U.S. and/or other countries.