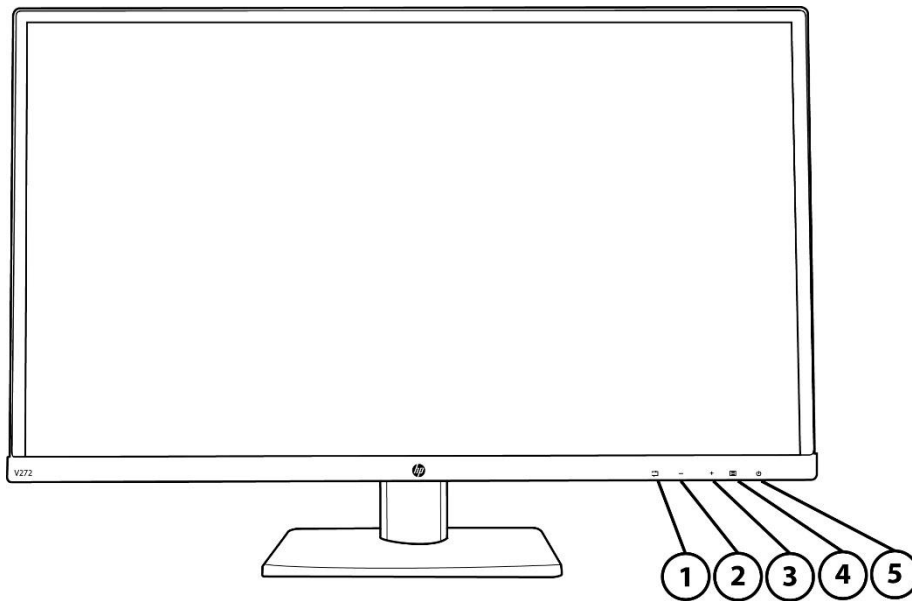


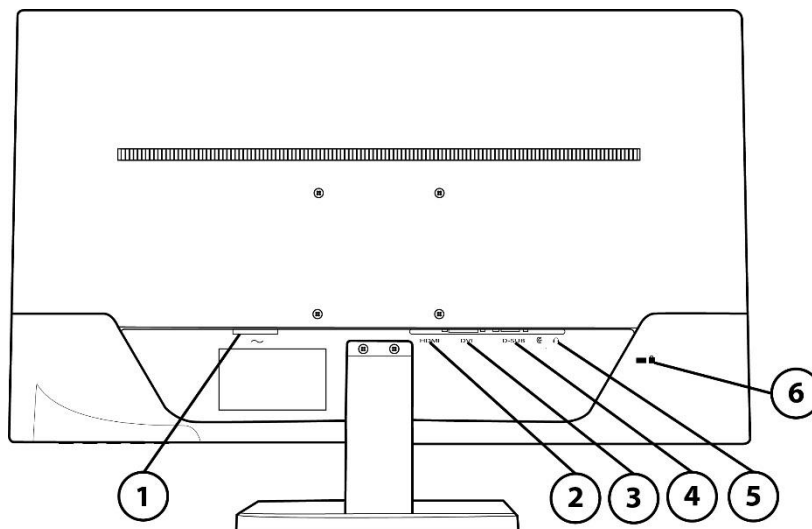
Overview

HP V272 27-inch Monitor



- 1. Auto Config./Exit
- 2. Minus ("-")/ECO
- 3. Plus ("+")/Volume

- 4. Menu/Enter
- 5. Power button



- 1. Power connector
- 2. HDMI v 1.4 input
- 3. DVI-D input

- 4. VGA input
- 5. Audio output 3.5 mm
- 6. Security lock slot

Overview

Overview

Be a multi-tasking pro with the HP V272 27-inch Monitor, which boasts a ultra-narrow bezel, massive 27-inch diagonal IPS screen and flexible connectivity at an impressive price point.

Key features:

- Boost your productivity with an edge-to-edge 27-inch diagonal screen that lets you see all of your apps at once.
- See and share your rich color content with everyone in the room with wide-angle IPS.
- Enjoy surprisingly affordable Full HD resolution and 10M: 1 dynamic contrast ratio.¹
- Get legacy and current device compatibility with VGA, DVI, and HDMI.
- Reduce power consumption and help lower your costs with an energy-efficient design.
- Rest assured that your IT investment is supported by a three-year standard limited warranty.

¹ All performance specifications represent the typical specifications provided by HP's component manufacturers; actual performance may vary either higher or lower.

Technical Specifications

Models:

M4B78AA- HP V272 27-inch Monitor

Panel	Type	27-inch IPS w/LED backlight
	Viewable Image Area (diagonal)	68,58 cm (27-inch) widescreen; diagonally measured
	Panel Active Area (W × H)	59,78 x 33,63 cm (23.53 × 13.24 in)
	Resolution	1920 x 1080 @ 60 Hz
	Aspect Ratio	16:9
	Viewing Angle	Up to 178° horizontal/178° vertical typical
	Brightness	250 cd/m ²
	Contrast Ratio (Typical)	1000:1 Static; 10,000,000:1 Dynamic (DCR)
	Response Times*	7 ms typical gray to gray
	Pixel Pitch	0.1038*RGB (H)mm x 0.3114 (V) mm
	Pixels Per Inch (PPI)	82
	Backlight Lamp Life (to half brightness)	30,000 hours minimum
	Color Support	Up to 16.7 million colors with the use of FRC technology
	Color Gamut (Typical)	72%
* Performance specifications represent the typical specifications provided by HP's component manufacturers; actual performance may vary either higher or lower.		
User Controls	Buttons or Switches	Power, Menu / Enter, Plus ("+") / Volume, Minus ("-") / ECO, Auto config. / Exit
	Languages	8 (English, S-Chinese, Français, Spanish, Portuguese, Русский, German, Japanese)
	On Screen Display (OSD) User Controls	Contrast, Brightness, ECO, DCR, AMA, Image Setup, Color ,OSD Setup, Language, Information, Factory Reset , Input Control
Signal Interface/ Performance	Horizontal Frequency	30-80 kHz
	Vertical Frequency	50-75 Hz
	Native Resolution	1920 x 1080 @ 60 Hz
	Preset Graphic Modes (non-interlaced)	1920 X 1080 @ 60 Hz
		1680 X 1050 @ 60 Hz
1600 X 900 @ 60 Hz		
1440 X 900 @ 60 Hz		
	1280 X 1024 @ 60 Hz	
	1280 x 800 @ 60Hz	

Technical Specifications

1280 X 720 @ 60 Hz
 1024 X 768 @ 60 Hz
 800 X 600 @ 60 Hz
 640 X 480 @ 60 Hz

Maximum Pixel Clock Speed 170 MHz

Anti-Glare Yes

Video/Other Inputs

Plug and Play Yes

Input Connectors (1) HDMI, (1) DVI-D, (1) VGA
 HDCP support on HDMI and DVI-D

USB N/A

Video Cables Included (1) VGA 1,8 m (5.9 ft)

Audio Yes - 1 Audio output

Multimedia

Speakers N/A

Power

Power Supply Internal

Input Power 100 - 240 VAC 50/60 Hz

Maximum Power 36 W

Typical Power 24 W

Sleep Power 0.45 W (standby)

Power Cable Length 1,9 m (6.2 ft)

Mechanical

Dimensions **Unpacked w/stand** **62,23 x 20 x 43.42 cm**
 (W x D x H) (24.5 x 7.87 x 17.09 in)

Unpacked w/o stand **62,23 x 4,48 x 37,03 cm**
 (head only) (24.5 x 1.76 x 14.58 in)

Packaged **71 x 14,9 x 51,9 cm**
 (27.95 x 5.87 x 20.43 in)

Weight **Head Only** **4,3 kg** (9.48 lb)

Unpacked with stand **5,3 kg** (11.68 lb)

Packaged **7,7 kg** (16.98 lb)

Ergonomic Features - Not available on head only model

Detachable Stand Yes, ships detached

Height Adjustment N/A

Tilt Range -3° to +21°

Swivel N/A

Pivot N/A

Environmental

Temperature - Operating **5° to 35° C** (41° to 95° F)

Temperature - Non-operating **-20° to 60° C** (-4° to 140° F)

Technical Specifications

Humidity - Operating	20% to 80% non-condensing
Humidity - Non-operating	5% to 95%, 38.7° C max wet-bulb
Altitude - Operating	0 to 5,000 m (0 to 16,404 ft)
Altitude - Non-operating	0 to 12,192 m (0 to 40,000 ft)
White LED Backlights	Yes
CCFL Panel	No
Arsenic-Free Display Glass	Yes
Low Halogen¹	Yes (except cables)
Mercury-Free Display Backlighting	Yes

Environmental Data

Eco-Label Certifications & declarations	This product has received or is in the process of being certified to the following approvals and may be labeled with one or more of these marks: <ul style="list-style-type: none"> IT ECO declaration US ENERGY STAR® EPEAT® <Gold> registered in the United States. See http://www.epeat.net for registration status in your country 		
Energy Consumption (in accordance with US ENERGY STAR® test method)	115VAC, 60Hz	230VAC, 50Hz	100VAC, 60Hz
Normal Operation	21.47 W	21.88 W	21.75 W
Sleep	0.27 W	0.35 W	0.26 W
Off	0.19 W	0.25 W	0.18 W
Heat Dissipation*	115VAC, 60Hz	230VAC, 50Hz	100VAC, 60Hz
Normal Operation	73 BTU/hr	75 BTU/hr	74 BTU/hr
Sleep	1 BTU/hr	1 BTU/hr	1 BTU/hr
Off	1 BTU/hr	1 BTU/hr	1 BTU/hr
	*NOTE: Heat dissipation is calculated based on the measured watts, assuming the service level is attained for one hour.		
Additional Information	<ul style="list-style-type: none"> This product is in compliance with the Restrictions of Hazardous Substances (RoHS) directive - 2002/95/EC. This HP product is designed to comply with the Waste Electrical and Electronic Equipment (WEEE) Directive – 2002/96/EC. This product is in compliance with California Proposition 65 (State of California; Safe Drinking Water and Toxic Enforcement Act of 1986). This product is in compliance with the IEEE 1680 (EPEAT) standard at the <gold> level, see www.epeat.net Plastics parts weighing over 25 grams used in the product are marked per ISO 11469 and ISO1043. This product contains 0% post-consumer recycled plastic (by wt.) This product is 98.6% recycle-able when properly disposed of at end of life. 		
Packaging Materials	External:	PAPER/Cardboard & misc	1100 g
	Internal:	PLASTIC/EPS (Expanded Polystyrene)	200 g
		PLASTIC/Polyethylene low density	30 g
RoHS Compliance	Hewlett-Packard is committed to compliance with all applicable environmental laws and regulations, including the European Union Restriction of Hazardous Substances (RoHS) Directive. HP's goal is to exceed compliance obligations by meeting the requirements of the RoHS Directive on a worldwide basis. By July 1, 2006, RoHS substances will be virtually eliminated (virtually = to levels below legal limits) for all HP electronic products subject to the RoHS Directive, except where it is widely recognized that there is no technically feasible alternative (as indicated by an exemption under the EU RoHS Directive).		

Environmental Data

<p>Material Usage</p>	<p>This product does not contain any of the following substances in excess of regulatory limits (refer to the HP General Specification for the Environment at http://www.hp.com/hpinfo/globalcitizenship/environment/pdf/gse.pdf):</p> <ul style="list-style-type: none"> • Asbestos • Certain Azo Colorants • Certain Brominated Flame Retardants – may not be used as flame retardants in plastics • Cadmium • Chlorinated Hydrocarbons • Chlorinated Paraffins • Formaldehyde • Halogenated Diphenyl Methanes • Lead carbonates and sulfates • Lead and Lead compounds • Mercuric Oxide Batteries • Nickel – finishes must not be used on the external surface designed to be frequently handled or carried by the user. • Ozone Depleting Substances • Polybrominated Biphenyls (PBBs) • Polybrominated Biphenyl Ethers (PBBEs) • Polybrominated Biphenyl Oxides (PBBOs) • Polychlorinated Biphenyl (PCB) • Polychlorinated Terphenyls (PCT) • Polyvinyl Chloride (PVC) – except for wires and cables, and certain retail packaging has been voluntarily removed from most applications. • Radioactive Substances • Tributyl Tin (TBT), Triphenyl Tin (TPT), Tributyl Tin Oxide (TBTO)
<p>Packaging</p>	<p>HP follows these guidelines to decrease the environmental impact of product packaging:</p> <ul style="list-style-type: none"> • Eliminate the use of heavy metals such as lead, chromium, mercury and cadmium in packaging materials. • Eliminate the use of ozone-depleting substances (ODS) in packaging materials. • Design packaging materials for ease of disassembly. • Maximize the use of post-consumer recycled content materials in packaging materials. • Use readily recyclable packaging materials such as paper and corrugated materials. • Reduce size and weight of packages to improve transportation fuel efficiency. • Plastic packaging materials are marked according to ISO 11469 and DIN 6120 standards.
<p>End-of-life Management and Recycling</p>	<p>Hewlett-Packard offers end-of-life HP product return and recycling programs in many geographic areas. To recycle your product, please go to: http://www.hp.com/go/reuse-recycle or contact your nearest HP sales office. Products returned to HP will be recycled, recovered or disposed of in a responsible manner.</p>

Environmental Data

	<p>The EU WEEE directive (2002/95/EC) requires manufacturers to provide treatment information for each product type for use by treatment facilities. This information (product disassembly instructions) is posted on the Hewlett Packard web site at: http://www.hp.com/go/recyclers. These instructions may be used by recyclers and other WEEE treatment facilities as well as HP OEM customers who integrate and re-sell HP equipment.</p>
Hewlett-Packard Corporate Environmental Information	<p>For more information about HP's commitment to the environment:</p> <p>Global Citizenship Report http://www.hp.com/hpinfo/globalcitizenship/gcreport/index.html</p> <p>Eco-label certifications http://www.hp.com/hpinfo/globalcitizenship/environment/productdesign/ecolabels.html</p> <p>ISO 14001 certificates: http://www.hp.com/hpinfo/globalcitizenship/environment/operations/envmanagement.html</p>

Environmental Data

Options	HP USB Graphics Adapter —Part number NL571AA	Enables connection of up to six simultaneous displays to help you boost productivity and multi-task across several open applications. Use one Adapter to bridge between a notebook or desktop PC and second monitor or use multiple Adapters to connect several displays to each other.
	HP LCD Monitor Quick Release — Part number EM870AA ⁴	An easy-to-use, VESA-compliant, LCD monitor mounting solution that allows you to quickly and securely attach an LCD monitor to a variety of stands, brackets, arms or wall mounts. For more information, refer to this product's QuickSpecs document.
	HP Business PC Security Lock Kit — Part number PV606AA	Attaches to the rear of the PC with a six-foot steel cable that can be used to secure a PC or peripherals such as mice, keyboards, monitors or USB security devices to protect them against unauthorized removal by physically connecting the system to an anchor point.
	HP Single Monitor Arm —Part number BT861AA	The flexible design of the HP Single Monitor Arm provides a seemingly endless range of display adjustments with an amazing 13 inches of lift, 75 degrees of tilt, and 360 degrees of pan and rotation – all at your fingertips -- helping you stay comfortable and productive throughout the day.
What's in the box?	Monitor and Accessories Documentation	HP V272 27-inch Monitor; AC power cord 1,9 m (6.2 ft); (1) VGA 1,8 m (5.9 ft) CD (includes user guide, warranty, drivers)
	Software	Acrobat Reader, Monitor Driver (ICM/INF)
Other	User Guide Languages	English, Arabic, Bahasa Indonesian, S. Chinese, T. Chinese, Czech, Danish, Dutch, Finnish, French, German, Greek, Hebrew, Hungarian, Italian, Japanese, Kazakh, Korean, Norwegian, Polish, Portuguese, Brazilian Portuguese, Russian, Slovenian, Spanish, Swedish and Turkish.
	Warranty Languages	English, Arabic, Bahasa Indonesian, S. Chinese, T. Chinese, Czech, Danish, Dutch, Finnish, French, German, Greek, Hebrew, Hungarian, Italian, Japanese, Kazakh, Korean, Norwegian, Polish, Portuguese, Brazilian Portuguese, Russian, Slovenian, Spanish, Swedish and Turkish.
	Color	Black
	VESA Mounting	100 mm VESA mount
	Security Lock-Ready	Yes
	Country of Origin	China
Certification and Compliance	CEL Grade 1, Microsoft WHQL Certification (Windows 8.1 and Windows 7), ENERGY STAR® Qualified, EPEAT® Silver, CE, CB, KC, KCC, NOM, PSB, ICE, TUV-S, ISO 9241-307, EAC, UL, CSA, PSB, ISC, CCC, CECP, RCM, VCCI, FCC, BSMI, Vietnam MEPS, Australian-New Zealand MEPS, WEEE, TUV-Baruarnt	
Compatibility	Compatible with platforms using the VESA standard video modes. Recommended for use with HP products.	

Environmental Data

Service and Warranty Protected by HP, including a 3 year standard limited warranty. Optional HP Care Pack Services are extended service contracts that extend your protection beyond the standard warranties.³

© Copyright 2016 HP Development Company, L.P. All rights reserved.

The information contained herein is subject to change without notice. The only warranties for HP products are set forth in the express limited warranty statements accompanying such products. Nothing herein should be construed as constituting an additional warranty. HP shall not be liable for technical or editorial errors or omissions contained herein.

ENERGY STAR is a registered mark owned by the U.S. government.

1. External power supplies, power cords, cables and peripherals are not Low Halogen. Service parts obtained after purchase may not be Low Halogen.
2. EPEAT® Silver where HP registers commercial display products. See www.epeat.net for registration status in your country.
3. Service levels and response times for HP Care Pack Services may vary depending on your geographic location. Service starts from date of hardware purchase. Restrictions and limitations apply. See <http://www.hp.com/go/cpc> for details.
4. The HP Quick Release has been designed to support a maximum of up to 24 lbs (10.9 kg) for all devices mounted. Because mounting surfaces vary widely and the final mounting method and configuration may vary, mounting fasteners are not supplied (other than the VESA-compliant screws). HP recommends that you consult with a qualified engineering, architectural or construction professional to determine the appropriate type and quantity of mounting fasteners required for your application and to ensure that your mounting solution is properly installed to support applied loads.

