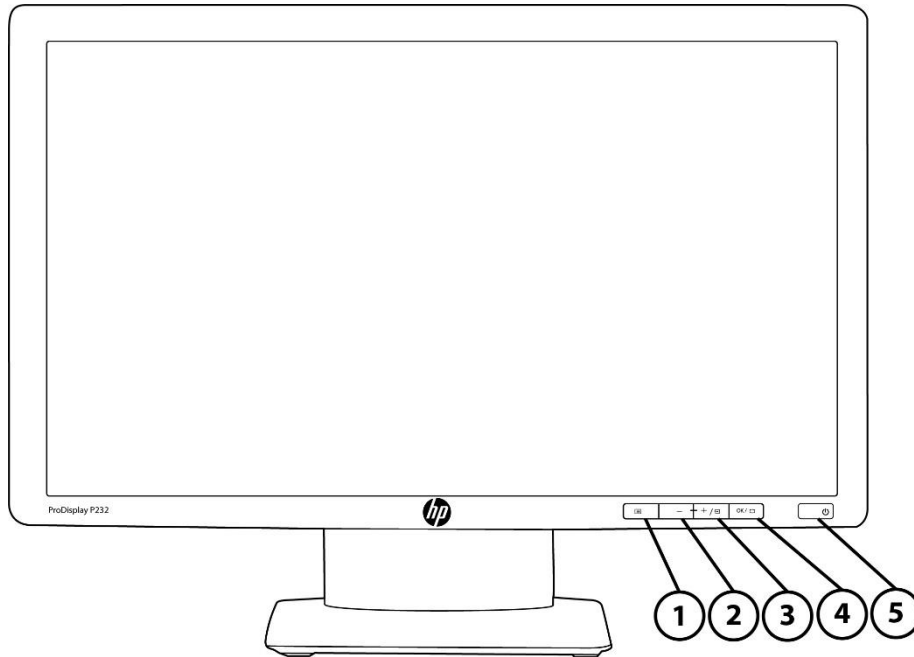


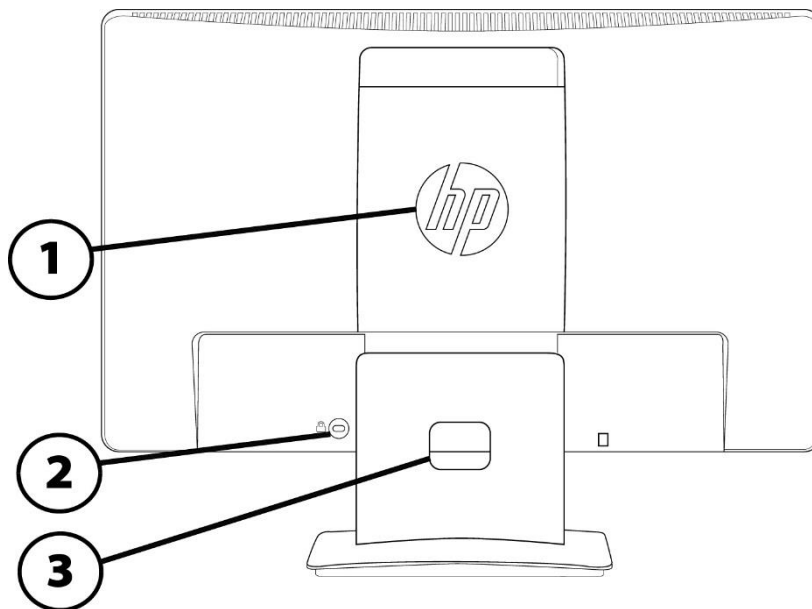
### Overview

### HP ProDisplay P232 23-inch Monitor



- 1. Menu button
- 2. Minus ("-")
- 3. Plus ("+") /Source

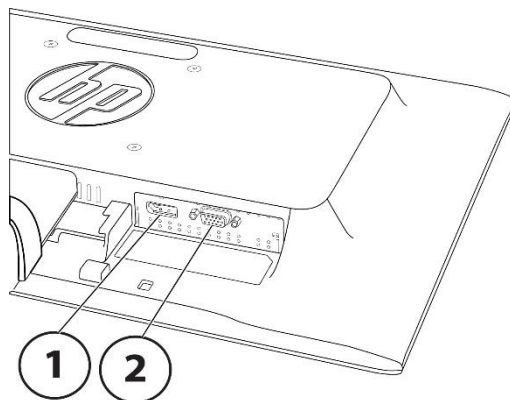
- 4. OK/Auto,
- 5. Power button and LED



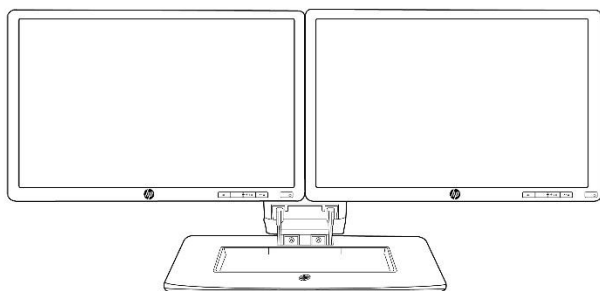
- 1. VESA mounting pattern available behind cover
- 2. Security lock slot

- 3. Cable routing opening

### Overview



1. DisplayPort v 1.2
2. VGA



HP ProDisplay P232 and HP Adjustable Dual Display Stand dual monitor configuration shown. (Note: monitors and stands sold separately)

Your ideal office configuration begins with two HP ProDisplay P232 monitors combined with an HP Adjustable Dual Display Stand (AW664AA) for a small footprint, high productivity work solution.\*

\*NOTE: Multi-monitor support is dependent on your system. Check your user guide or technical specifications for compatibility. Optional accessories may be required.

### Overview

Project your HP Pro PC content to a 23-inch diagonal display with the HP ProDisplay P232 Monitor, which has a sleek design, essential presentation features, and advanced connectivity for your everyday business productivity, all at a highly affordable price point.

### Key features:

- Experience stunning FHD picture quality, ultra-fast graphics refresh, and vivid colors with DisplayPort.
- Attach your HP PC or select HP Thin Client directly behind the display.<sup>1</sup>
- Reduce power consumption and help lower your costs with an energy-efficient design.
- Enjoy crisp, clear Full HD color for all of your content on the 23-inch diagonal screen.
- Free up valuable desk space with mounting options<sup>2</sup> enabled by the 100-mm VESA pattern.
- Customize a total solution with options<sup>2</sup> designed for your display.
- Design the screen for how you work with HP Display Assistant software.
- Get award-winning service and support by phone or online.

<sup>1</sup> Requires HP Quick Release, sold separately. See product QuickSpecs for exact PC and thin client compatibility.

<sup>2</sup> Each accessory sold separately. Mounting hardware sold separately. Head only model sold separately and availability varies by region.

### Technical Specifications

#### Models:

K7X31AA- HP ProDisplay P232 23-inch Monitor

<b>Panel</b>	<b>Type</b>	23-inch TN w/LED backlight
	<b>Viewable Image Area (diagonal)</b>	<b>58,42 cm</b> (23-inch) widescreen; diagonally measured
	<b>Panel Active Area (W x H)</b>	<b>50,92x 28,64 cm</b> (20.05 x 11.27 in)
	<b>Resolution</b>	1920 x 1080 @ 60 Hz
	<b>Aspect Ratio</b>	16:9
	<b>Viewing Angle</b>	Up to 170° horizontal/160° vertical typical
	<b>Brightness</b>	250 cd/m <sup>2</sup>
	<b>Contrast Ratio (Typical)</b>	1000:1 Static; 5,000,000:1 Dynamic (DCR)
	<b>Response Time (Typical)*:</b>	5 ms on/off
	<b>Pixel Pitch</b>	0.265 (H) x 0.265 (V)mm
	<b>Pixels Per Inch (PPI)</b>	96
	<b>Backlight Lamp Life (to half brightness)</b>	30,000 hours minimum
	<b>Color Support</b>	Up to 16.7 million colors with the use of FRC technology
	<b>Color Gamut (Typical)</b>	72%
* Performance specifications represent the typical specifications provided by HP's component manufacturers; actual performance may vary either higher or lower.		
<b>User Controls</b>	<b>Buttons or Switches</b>	Menu, Minus ("-"), Plus ("+") /Source, OK/Auto, Power
	<b>Languages</b>	10 (English, Spanish, German, French, Italian, Netherlands, Portuguese, Japanese, T-Chinese and S-Chinese)
	<b>On Screen Display (OSD) User Controls</b>	Brightness, Contrast, Input Control, Color Control, Image Control, Power Control ,OSD control, Management, Language, Information
<b>Signal Interface/ Performance</b>	<b>Horizontal Frequency</b>	24-80 kHz
	<b>Vertical Frequency</b>	50-60 Hz
	<b>Native Resolution</b>	1920 x 1080 @ 60 Hz
	<b>Preset Graphic Modes (non-interlaced)</b>	1920 X 1080 @ 60 Hz
		1680 X 1050 @ 60 Hz
		1600 X 900 @ 60 Hz
		1440 X 900 @ 60 Hz
1280 X 1024 @ 60 Hz		
1280 X 720 @ 60 Hz		
1024 X 768 @ 60 Hz		
800 X 600 @ 60 Hz		
640 X 480 @ 60 Hz		
<b>Maximum Pixel Clock Speed</b>	170 MHz	

### Technical Specifications

	<b>Anti-Glare</b>	Yes		
<b>Video/Other Inputs</b>	<b>Plug and Play</b>	Yes		
	<b>Input Connectors</b>	(1) DisplayPort 1.2, (1) VGA HDCP support on DisplayPort		
	<b>USB</b>	N/A		
	<b>Video Cables Included</b>	1) DisplayPort <b>1,8 m</b> (5.9 ft) ; (1) VGA <b>1,8 m</b> (5.9 ft)		
	<b>Audio</b>	N/A		
<b>Multimedia</b>	<b>Speakers</b>	N/A		
<b>Power</b>	<b>Power Supply</b>	Internal		
	<b>Input Power</b>	100 - 240 VAC 50/60 Hz		
	<b>Maximum Power</b>	30 W		
	<b>Typical Power</b>	24 W		
	<b>Sleep Power</b>	0.5 W (standby)		
	<b>Power Cable Length</b>	<b>1,9 m</b> (6.2 ft)		
	<b>Mechanical</b>	<b>Dimensions</b> (W × D × H)	<b>Unpacked w/stand</b>	<b>54,86 x 18,5 x 40,83 cm</b> (21.6 x 7.31 x 16.07 in)
<b>Unpacked w/o stand</b> (head only)			<b>54,86 x 34,63 x 5,5cm</b> (21.6 x 13.63 x 2.16 in)	
<b>Packaged</b>			<b>63,2 x 14 x 42,2 cm</b> (24.9 x 16.6 x 5.5 in)	
<b>Weight</b>		<b>Head Only</b>	<b>3,4 kg</b> (7.5 lb)	
		<b>Unpacked with stand</b>	<b>4 kg</b> (8.82 lb)	
		<b>Packaged</b>	<b>5,8 kg</b> (12.79 lb)	
<b>Ergonomic Features</b> - Not available on head only model		<b>Detachable Stand</b>	Yes, ships detached	
		<b>Height Adjustment</b>	N/A	
		<b>Tilt Range</b>	-5° to +22°(+0/-3)	
		<b>Swivel</b>	N/A	
	<b>Pivot</b>	N/A		
<b>Environmental</b>	<b>Temperature - Operating</b>	<b>5° to 35° C</b> (41° to 95° F)		
	<b>Temperature - Non-operating</b>	<b>-20° to 60° C</b> (-4° to 140° F)		
	<b>Humidity - Operating</b>	20% to 80% non-condensing		
	<b>Humidity - Non-operating</b>	5% to 95%, 38.7° C max wet-bulb		
	<b>Altitude - Operating</b>	<b>0 to 5,000 m</b> (0 to 16,404 ft)		
	<b>Altitude - Non-operating</b>	<b>0 to 12,192 m</b> (0 to 40,000 ft)		
	<b>White LED Backlights</b>	Yes		
	<b>CCFL Panel</b>	No		

### Technical Specifications

<b>Options</b>	<b>Arsenic-Free Display Glass</b>	Yes
	<b>Low Halogen<sup>1</sup></b>	Yes (except cables)
	<b>Mercury-Free Display Backlighting</b>	Yes
	<b>HP Adjustable Dual Display Stand—Part Number AW664AA</b>	Premium space-saving dual screen solution provides access to more monitor real estate and makes it possible to manage multiple applications simultaneously. Weight adjustable for dual monitors from 17–24". Rotate displays into portrait/landscape positions.
	<b>HP Integrated Work Center for Desktop Mini and Thin Client—Part Number G1V61AA</b>	Make the most of small work spaces with an HP IWC Desktop Mini/Thin Client that lets you create a compact desktop solution by combining a compatible display up to 24 diagonal inches with your choice of compatible platform to give you convenient front access to all of its inputs.
	<b>HP DisplayPort Cable Kit—Part number VN567AA</b>	Connects a DisplayPort connector on an HP Business Desktop computer to a DisplayPort connector on a monitor
<b>What's in the box?</b>	<b>HP LCD Monitor Quick Release—Part number EM870AA<sup>4</sup></b>	An easy-to-use, VESA-compliant, LCD monitor mounting solution that allows you to quickly and securely attach an LCD monitor to a variety of stands, brackets, arms or wall mounts. For more information, refer to this product's QuickSpecs document.
	<b>HP Business PC Security Lock Kit—Part number PV606AA</b>	Attaches to the rear of the PC with a six-foot steel cable that can be used to secure a PC or peripherals such as mice, keyboards, monitors or USB security devices to protect them against unauthorized removal by physically connecting the system to an anchor point.
	<b>Monitor and Accessories Documentation</b>	HP ProDisplay P232 23-inch Monitor, AC power cord (1.9m) 6.2 ft, DisplayPort cable (1.8m), 5.9 ft, VGA cable (1.8m), 5.9 ft CD (includes user guide, warranty, drivers)
<b>Other</b>	<b>Software</b>	HP Display Assistant
	<b>User Guide Languages</b>	English, Arabic, S. Chinese, T. Chinese, Czech, Danish, Dutch, Finnish, French, German, Greek, Hungarian, Italian, Japanese, Kazakh, Korean, Norwegian, Polish, Brazilian Portuguese, Russian, Slovenian, Spanish, Swedish and Turkish.
<b>Certification and Compliance</b>	<b>Warranty Languages</b>	English, Arabic, S. Chinese, T. Chinese, Czech, Danish, Dutch, Finnish, French, German, Greek, Hungarian, Italian, Japanese, Kazakh, Korean, Norwegian, Polish, Brazilian Portuguese, Russian, Slovenian, Spanish, Swedish and Turkish.
	<b>Color</b>	Black
	<b>VESA Mounting</b>	100 mm VESA mount
	<b>Security Lock-Ready</b>	Yes
	<b>Country of Origin</b>	China
<b>Certification and Compliance</b>		TCO Certified, CEL Grade 1, Microsoft WHQL Certification (Windows 8.1 and Windows 7), ENERGY STAR® Qualified, EPEAT® Gold <sup>2</sup> , CE; CB; KC/KCC; NOM; PSB; ICES; TUV; TUV-GS; S-Mark; ISO 9241-307; EAC; UL; CSA; PSB; ISC; CCC; CEL; CECP; SEPA; TCO Certified Edge; VCCI; FCC; RCM; BSMI; Vietnam MEPS; Australian-New Zealand MEPS; WEEE

### Technical Specifications

<b>Compatibility</b>	Compatible with platforms using the VESA standard video modes. Recommended for use with HP products.
<b>Service and Warranty</b>	Protected by HP, including a 3 year standard limited warranty. Optional HP Care Pack Services are extended service contracts that extend your protection beyond the standard warranties. <sup>3</sup>

© Copyright 2015 Hewlett-Packard Development Company, L.P.

ENERGY STAR is a registered mark owned by the U.S. government. All specifications represent the typical specifications provided by HP's component manufacturers; actual performance may vary either higher or lower. The only warranties for HP products and services are set forth in the express warranty statements accompanying such products and services. Nothing herein should be construed as constituting an additional warranty. HP shall not be liable for technical or editorial errors or omissions contained herein.

1. External power supplies, power cords, cables and peripherals are not Low Halogen. Service parts obtained after purchase may not be Low Halogen.
2. EPEAT® Gold where HP registers commercial display products. See [www.epeat.net](http://www.epeat.net) for registration status in your country.
3. Service levels and response times for HP Care Pack Services may vary depending on your geographic location. Service starts from date of hardware purchase. Restrictions and limitations apply. See [www.hp.com/go/cpc](http://www.hp.com/go/cpc) for details.
4. The HP Quick Release has been designed to support a maximum of up to 24 lbs (10.9 kg) for all devices mounted. Because mounting surfaces vary widely and the final mounting method and configuration may vary, mounting fasteners are not supplied (other than the VESA-compliant screws). HP recommends that you consult with a qualified engineering, architectural or construction professional to determine the appropriate type and quantity of mounting fasteners required for your application and to ensure that your mounting solution is properly installed to support applied loads.

