

Overview

HP Chassis Accessories

HP (10 Sets) 400 G2/700 G1/ 705 G1 Bezel Support Kit

Quickly and easily install an after-market optical disk drive¹ into your HP Business Desktop chassis with the HP (10 Sets) 400 G2/700 G1/ 705 G1 Bezel Support Kit.

1. Sold separately.

Model

HP (10 Sets) 400 G2/700 G1/ 705 G1 Bezel Support Kit

J4R48AA

Key Benefits

- Help ensure a secure fit with a Kit specifically designed to fit your HP form factor, seal the installation, and maintain the aesthetic lines of your PC.
- Simplify mass deployments with a 10-pack.

Compatibility

HP (10 Sets) 400 G2/700 G1/ 705 G1 Bezel Support Kit is compatible with the HP ProDesk 400 G2 MT and SFF, HP ProDesk 405 G1 MT, HP ProDesk 490 G1 MT, HP EliteDesk 700 G1 MT and SFF, HP EliteDesk 705 G1 MT and SFF Business Desktop PCs.

Spares Information

ODD, BEZEL BLANK, ENT14

756814-001

SPS-Bezel Slim ODD ENT14 MT

783214-001

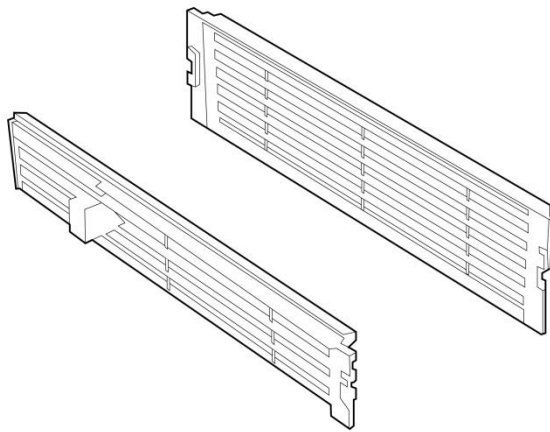
Service and Support

Your Option Limited Warranty is a one (1) year (HP Option Limited Warranty Period) parts replacement warranty on any HP-branded or Compaq-branded options (HP Options). If your HP Option is installed in an HP Hardware Product, HP may provide warranty service either for the HP Option Limited Warranty Period or the remaining Limited Warranty Period of the HP Hardware Product in which the HP Option is being installed, whichever period is the longer but not to exceed three (3) years from the date you purchased the HP Option.

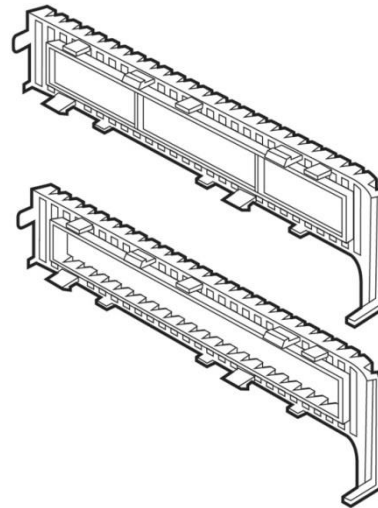
Overview

HP (10 Sets) 400 G1 Bezel Support Kit

Help secure the fit of your after-market optical disk drive into your desktop chassis with the HP (10 Sets) 400 G1 Bezel Support Kit.



Top and Bottom Optical Disc Drive (ODD) Blanks for MT



Slim ODD Blank and Trim for Small Form Factor (SFF)

HP (10 Sets) 400 G1 Bezel Support Kit

Model
HP (10 Sets) 400 G1 Bezel Support Kit E1C67AA

Key Benefits

- Specifically designed to fit your form factor, seal the installation, and maintain the aesthetic lines of your PC.
- The 10-pack simplifies easy mass deployments.
- Each support kit contains 40 screws (4 for each drive) for supporting additional 2.5" drives.

Compatibility

HP (10 Sets) 400 G1 Bezel Support Kit is compatible with the HP ProDesk 400 G1 MT and SFF, HP ProDesk 405 G1 MT, and HP ProDesk 490 G1 MT Business Desktop PCs.

Spares Information

Top ODD, Bezel Blank MT	724102-001
Bottom ODD, Bezel Blank MT	724103-001
Slim ODD, Bezel Blank SFF	718544-001
Slim ODD, Bezel Blank Open SFF	718545-001

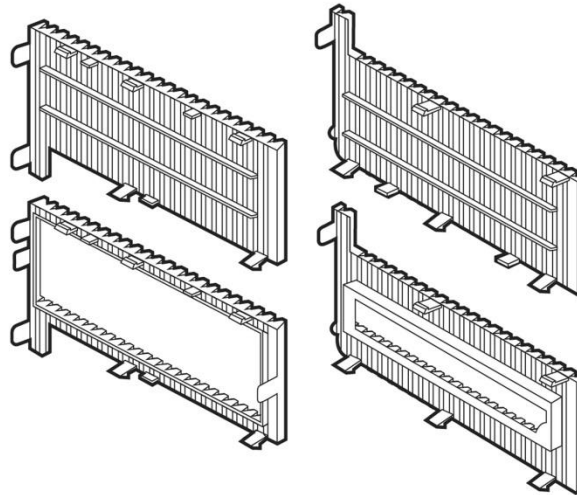
Service and Support

Your Option Limited Warranty is a one (1) year (HP Option Limited Warranty Period) parts replacement warranty on any HP-branded or Compaq-branded options (HP Options). If your HP Option is installed in an HP Hardware Product, HP may provide warranty service either for the HP Option Limited Warranty Period or the remaining Limited Warranty Period of the HP Hardware Product in which the HP Option is being installed, whichever period is the longer but not to exceed three (3) years from the date you purchased the HP Option.

Overview

HP (10 Sets) 600/800 TWR Bezel Support Kit

Help secure the fit of your after-market optical disk drive into your desktop chassis with the HP (10 Sets) 600/800 TWR Bezel Support Kit.



HP (10 Sets) 600/800 TWR Bezel Support Kit

Model
HP (10 Sets) 600/800 TWR Bezel Support Kit E1C66AA

Key Benefits

- Specifically designed to fit your form factor, seal the installation, and maintain the aesthetic lines of your PC.
- The 10-pack simplifies easy mass deployments.
- Each support kit contains 40 screws (4 for each drive) for supporting additional 2.5" drives.

Compatibility

HP (10 Sets) 600/800 TWR Bezel Support Kit is compatible with the HP EliteDesk 800 G1 TWR and HP ProDesk 600 G1 TWR Business Desktop PC.

Spares Information

ODD, Bezel Blank TWR	717247-001
Slim ODD, Bezel Blank Open TWR	717248-001
ODD, Bezel Blank Opening TWR	717705-001
Slim ODD, Bezel Blank TWR	717706-001

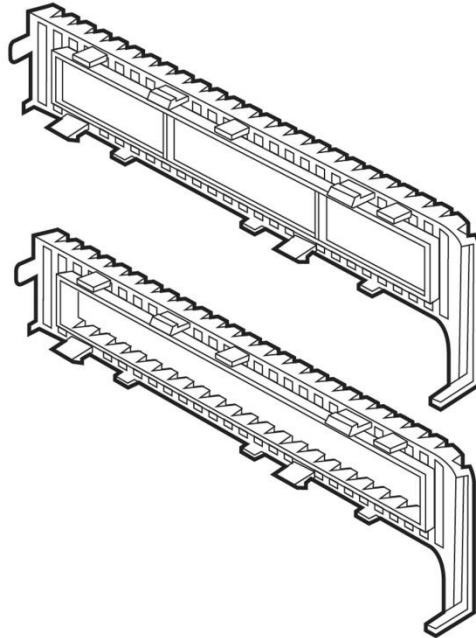
Service and Support

Your Option Limited Warranty is a one (1) year (HP Option Limited Warranty Period) parts replacement warranty on any HP-branded or Compaq-branded options (HP Options). If your HP Option is installed in an HP Hardware Product, HP may provide warranty service either for the HP Option Limited Warranty Period or the remaining Limited Warranty Period of the HP Hardware Product in which the HP Option is being installed, whichever period is the longer but not to exceed three (3) years from the date you purchased the HP Option.

Overview

HP (10 Sets) 600/800 SFF Bezel Support Kit

Help secure the fit of your after-market optical disk drive into your desktop chassis with the HP (10 Sets) 600/800 SFF Bezel Support Kit.



HP (10 Sets) 600/800 SFF Bezel Support Kit

Model
HP (10 Sets) 600/800 SFF Bezel Support Kit E3F27AA

Key Benefits

- Specifically designed to fit your form factor, seal the installation, and maintain the aesthetic lines of your PC.
- The 10-pack simplifies easy mass deployments.
- Each support kit contains 40 screws (4 for each drive) for supporting additional 2.5" drives.

Compatibility

HP (10 Sets) 600/800 SFF Bezel Support Kit is compatible with the HP EliteDesk 800 G1 SFF and HP ProDesk 600 G1 SFF Business Desktop PC.

Spares Information

Slim ODD, Bezel Blank Open SFF 718545-001
Slim ODD, Bezel Blank SFF 718544-001

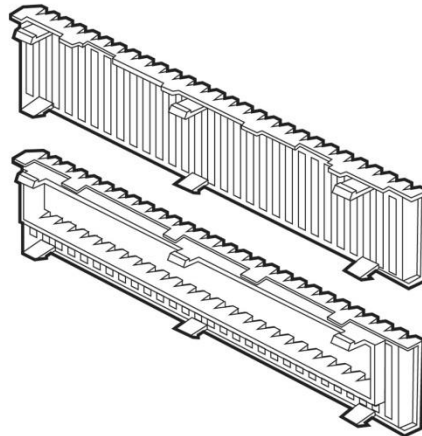
Service and Support

Your Option Limited Warranty is a one (1) year (HP Option Limited Warranty Period) parts replacement warranty on any HP-branded or Compaq-branded options (HP Options). If your HP Option is installed in an HP Hardware Product, HP may provide warranty service either for the HP Option Limited Warranty Period or the remaining Limited Warranty Period of the HP Hardware Product in which the HP Option is being installed, whichever period is the longer but not to exceed three (3) years from the date you purchased the HP Option.

Overview

HP (10 Sets) 800 USDT Bezel Support Kit

Help secure the fit of your after-market optical disk drive into your desktop chassis with the HP (10 Sets) 600/800 USDT Bezel Support Kit.



HP (10 Sets) 800 USDT Bezel Support Kit

Model
HP (10 Sets) 800 USDT Bezel Support Kit E3F28AA

- Key Benefits**
- Specifically designed to fit your form factor, seal the installation, and maintain the aesthetic lines of your PC.
 - The 10-pack simplifies easy mass deployments.

Compatibility
HP (10 Sets) 800 USDT Bezel Support Kit is compatible with the HP EliteDesk 800 G1 USDT Business Desktop PC.

Spares Information

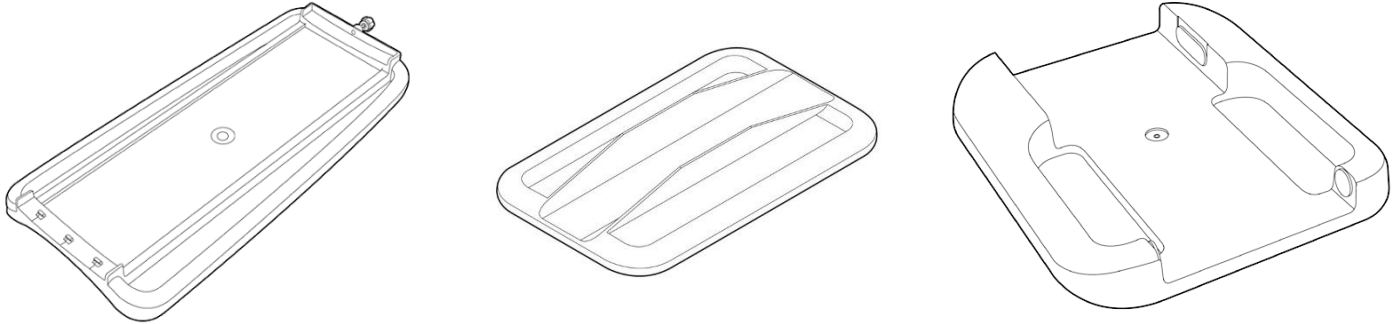
Slim ODD, Blank Bezel, Open USDT	718554-001
Slim ODD, Blank Bezel USDT	718554-002

Service and Support
Your Option Limited Warranty is a one (1) year (HP Option Limited Warranty Period) parts replacement warranty on any HP-branded or Compaq-branded options (HP Options). If your HP Option is installed in an HP Hardware Product, HP may provide warranty service either for the HP Option Limited Warranty Period or the remaining Limited Warranty Period of the HP Hardware Product in which the HP Option is being installed, whichever period is the longer but not to exceed three (3) years from the date you purchased the HP Option.

Overview

HP Tower Stands

Free up your valuable desk space with HP Tower Stands.



HP Tower Stands

Model

HP 2009 (Black) SFF Tower Stand	VN569AA
HP 2009 (Black) USDT Tower Stand	VN568AA
HP DM Chassis Tower Stand	G1K23AA
HP 2x2 SFF Stand	N4G86AA

Key Benefits

- Free up valuable desk space

Compatibility

The HP 2x2 SFF Stand is compatible with the HP ProDesk 400 G3 SFF.

Spares information

HP (dc5700 SFF, dc5750 SFF) Tower Stand	436533-001
HP 2009 (Black) SFF Tower Stand	587451-001
HP DM Chassis Tower Stand	768430-001

Dimensions

HP DM Chassis Tower Stand (L x W)	160 x 117 mm (6.29 x 4.6 in)
-----------------------------------	------------------------------

HP (10 Sets) 600/705 G2 MicroTower Bezel Support Kit

Help secure the fit of your after-market drive into your desktop chassis with the HP Bezel Support Kit.

Model

HP (10 Sets) 600/705 G2 MicroTower Bezel Support Kit	N1M44AA
--	---------

Key Benefits

- The bezels are specifically designed to fit your form factor, seal the installation, and maintain the aesthetic lines of your PC.
- The 10-pack of bezels simplifies easy mass deployments of drives into your PCs.
- Each support kit contains 40 screws (4 for each drive) for 2.5" drives.

Compatibility

HP (10 Sets) 600/705 G2 MicroTower Bezel Support Kit is compatible with the HP EliteDesk 705 G2 MT

Service and Support

Your Option Limited Warranty is a one (1) year (HP Option Limited Warranty Period) parts replacement warranty on any HP-branded or Compaq-branded options (HP Options). If your HP Option is installed in an HP Hardware Product, HP may provide

Overview

warranty service either for the HP Option Limited Warranty Period or the remaining Limited Warranty Period of the HP Hardware Product in which the HP Option is being installed, whichever period is the longer but not to exceed three (3) years from the date you purchased the HP Option.

Overview

HP (10 Sets) 600/705/800 G2 SFF Bezel Support Kit

Help secure the fit of your after-market drive into your desktop chassis with the HP Bezel Support Kit.

Model

HP (10 Sets) 600/705/800 G2 SFF Bezel Support Kit

N7H10AA

Key Benefits

- The bezels are specifically designed to fit your form factor, seal the installation, and maintain the aesthetic lines of your PC.
- The 10-pack of bezels simplifies easy mass deployments of drives into your PCs

Compatibility

The HP (10 Sets) 600/705/800 G2 SFF Bezel Kit is compatible with the HP ProDesk 600 G2 SFF; HP EliteDesk 705 G2 SFF; HP EliteDesk 705 G3 SFF; HP EliteDesk 800 G2 SFF.

Service and Support

Your Option Limited Warranty is a one (1) year (HP Option Limited Warranty Period) parts replacement warranty on any HP-branded or Compaq-branded options (HP Options). If your HP Option is installed in an HP Hardware Product, HP may provide warranty service either for the HP Option Limited Warranty Period or the remaining Limited Warranty Period of the HP Hardware Product in which the HP Option is being installed, whichever period is the longer but not to exceed three (3) years from the date you purchased the HP Option.

Overview

HP (10 Sets) EliteDesk 800 G2 Tower Bezel Support Kit

Help secure the fit of your after-market drive into your desktop chassis with the HP Bezel Support Kit.

Model

HP (10 Sets) EliteDesk 800 G2 Tower Bezel Support Kit

P1N74AA

Key Benefits

- The bezels are specifically designed to fit your form factor, seal the installation, and maintain the aesthetic lines of your PC.
- The 10-pack of bezels simplifies easy mass deployments of drives into your PCs
- Each support kit contains 40 screws (4 for each drive) for 2.5" drives.

Compatibility

HP (10 Sets) EliteDesk 800 G2 Tower Bezel Support Kit is compatible with the HP EliteDesk 800 G2 TWR

Service and Support

Your Option Limited Warranty is a one (1) year (HP Option Limited Warranty Period) parts replacement warranty on any HP-branded or Compaq-branded options (HP Options). If your HP Option is installed in an HP Hardware Product, HP may provide warranty service either for the HP Option Limited Warranty Period or the remaining Limited Warranty Period of the HP Hardware Product in which the HP Option is being installed, whichever period is the longer but not to exceed three (3) years from the date you purchased the HP Option.

HP (10 Set) 600/800 G3 Tower Bezel Support Kit

Help secure the fit of your after-market drive into your desktop chassis with the HP Bezel Support Kit.

Model

HP (10 Set) 600/800 G3 Tower Bezel Support Kit

Z9H63A6

Key Benefits

- Use this kit to help secure the fit of your after-market drive into your desktop chassis.
- The bezels are specifically designed to fit your form factor, seal the installation, and maintain the aesthetic lines of your PC.

Compatibility

HP (10 Set) 600/800 G3 Tower Bezel Support Kit is compatible with the HP EliteDesk 800 G3 Tower and HP ProDesk 600 G3 MT.

Service and Support

Your Option Limited Warranty is a one (1) year (HP Option Limited Warranty Period) parts replacement warranty on any HP-branded or Compaq-branded options (HP Options). If your HP Option is installed in an HP Hardware Product, HP may provide warranty service either for the HP Option Limited Warranty Period or the remaining Limited Warranty Period of the HP Hardware Product in which the HP Option is being installed, whichever period is the longer but not to exceed three (3) years from the date you purchased the HP Option.

Overview

HP (10) 400 G4 600/800 G3 SFF G4 MT Bezel Support Kit

Help secure the fit of your after-market drive into your desktop chassis with the HP Bezel Support Kit.

Model

HP (10) 400 G4 600/800 G3 SFF G4 MT Bezel Support Kit

Z9H64A6

Key Benefits

- Use this kit to help secure the fit of your after-market drive into your desktop chassis.
- The bezels are specifically designed to fit your form factor, seal the installation, and maintain the aesthetic lines of your PC.

Compatibility

HP (10) 400 G4 600/800 G3 SFF G4 MT Bezel Support Kit is compatible with the HP ProDesk 400 G4 SFF, HP ProDesk 400 G4 MT, HP EliteDesk 800 G3 SFF and HP ProDesk 600 G3 SFF.

Service and Support

Your Option Limited Warranty is a one (1) year (HP Option Limited Warranty Period) parts replacement warranty on any HP-branded or Compaq-branded options (HP Options). If your HP Option is installed in an HP Hardware Product, HP may provide warranty service either for the HP Option Limited Warranty Period or the remaining Limited Warranty Period of the HP Hardware Product in which the HP Option is being installed, whichever period is the longer but not to exceed three (3) years from the date you purchased the HP Option.

HP (Bulk 48) G3/4 2.5 HD/SSD M3 Grommet Screw Kit

Keep extra M3 screws handy for your drive installations with this bulk pack of 48 screws.

Model

HP (Bulk 48) G3/4 2.5 HD/SSD M3 Grommet Screw Kit

Z9H61A6

Compatibility

HP (Bulk 48) G3/4 2.5 HD/SSD M3 Grommet Screw Kit is compatible with the HP ProDesk 400 G4 SFF, HP ProDesk 400 G4 MT, HP ProDesk 400 G3 DM (Mini), HP ProDesk 600 G3 MT, HP ProDesk 600 G3 SFF, HP ProDesk 600 G3 Desktop Mini, HP EliteDesk 800 G3 TWR, HP EliteDesk 800 G3 SFF, HP EliteDesk 800 G3 35W Desktop Mini, HP EliteDesk 800 G3 65W Desktop Mini, .

Service and Support

Your Option Limited Warranty is a one (1) year (HP Option Limited Warranty Period) parts replacement warranty on any HP-branded or Compaq-branded options (HP Options). If your HP Option is installed in an HP Hardware Product, HP may provide warranty service either for the HP Option Limited Warranty Period or the remaining Limited Warranty Period of the HP Hardware Product in which the HP Option is being installed, whichever period is the longer but not to exceed three (3) years from the date you purchased the HP Option.

Overview

HP EliteDesk 800 G2 SFF Bezel/Dust Filter **HP EliteDesk 800 G2 Tower Bezel/Dust Filter**

Maintain optimal PC performance and reduce the risk of overheating with the HP EliteDesk 800 G2 SFF Bezel/Dust Filter or the HP EliteDesk 800 G2 Tower Bezel/Dust Filter, which are designed to help prevent dust and particles from entering the system

Model

HP EliteDesk 800 G2 SFF Bezel/Dust Filter	P1N69AA
HP EliteDesk 800 G2 Tower Bezel/Dust Filter	P1N71AA

Key Benefits

- Keep your PC's components clean and running smoothly in industrial environment, factories, retail settings, public spaces, and more with a filter that helps dust stay outside of the unit.
- Simply snap the filter onto your PC's bezel. A handy software prompt reminds you to snap off and clean at an interval you set upon installation.¹
- Get a one-year limited warranty.

Compatibility

HP EliteDesk 800 G2 SFF Bezel/Dust Filter is compatible with the HP EliteDesk 800 G2 SFF and HP EliteDesk 800 G2 TWR

Service and Support

Your Option Limited Warranty is a one (1) year (HP Option Limited Warranty Period) parts replacement warranty on any HP-branded or Compaq-branded options (HP Options). If your HP Option is installed in an HP Hardware Product, HP may provide warranty service either for the HP Option Limited Warranty Period or the remaining Limited Warranty Period of the HP Hardware Product in which the HP Option is being installed, whichever period is the longer but not to exceed three (3) years from the date you purchased the HP Option.

Overview

HP EliteDesk 800 G2 SFF Bezel/Dust Filter

HP EliteDesk 800 G2 Tower Bezel/Dust Filter

Maintain optimal PC performance and reduce the risk of overheating with the HP EliteDesk 800 G2 SFF Bezel/Dust Filter or the HP EliteDesk 800 G2 Tower Bezel/Dust Filter, which are designed to help prevent dust and particles from entering the system

Model

HP EliteDesk 800 G2 SFF Bezel/Dust Filter

P1N69AA

HP EliteDesk 800 G2 Tower Bezel/Dust Filter

P1N71AA

Key Benefits

- Keep your PC's components clean and running smoothly in industrial environment, factories, retail settings, public spaces, and more with a filter that helps dust stay outside of the unit.
- Simply snap the filter onto your PC's bezel. A handy software prompt reminds you to snap off and clean at an interval you set upon installation.¹
- Get a one-year limited warranty.

Compatibility

HP EliteDesk 800 G2 SFF Bezel/Dust Filter is compatible with the HP EliteDesk 800 G2 SFF and HP EliteDesk 800 G2 TWR

Service and Support

Your Option Limited Warranty is a one (1) year (HP Option Limited Warranty Period) parts replacement warranty on any HP-branded or Compaq-branded options (HP Options). If your HP Option is installed in an HP Hardware Product, HP may provide warranty service either for the HP Option Limited Warranty Period or the remaining Limited Warranty Period of the HP Hardware Product in which the HP Option is being installed, whichever period is the longer but not to exceed three (3) years from the date you purchased the HP Option.

Overview

HP EliteDesk 800 G2 SFF 3 Pack Dust Filters

HP EliteDesk 800 G2 Tower 3 Pack Dust Filters

Help prevent dust and particles from entering your HP EliteDesk 800 G2 with this handy three-pack of replacement dust filters for your HP EliteDesk 800 G2 Bezel/Dust Filter Kit.

Model

HP EliteDesk 800 G2 SFF 3 Pack Dust Filters

P1N70AA

HP EliteDesk 800 G2 Tower 3 Pack Dust Filters

P1N72AA

Compatibility

HP EliteDesk 800 G2 SFF 3 Pack Dust Filters is compatible with HP EliteDesk 800 G2 SFF and HP EliteDesk 800 G2 TWR

Service and Support

Your Option Limited Warranty is a one (1) year (HP Option Limited Warranty Period) parts replacement warranty on any HP-branded or Compaq-branded options (HP Options). If your HP Option is installed in an HP Hardware Product, HP may provide warranty service either for the HP Option Limited Warranty Period or the remaining Limited Warranty Period of the HP Hardware Product in which the HP Option is being installed, whichever period is the longer but not to exceed three (3) years from the date you purchased the HP Option.

Technical Specifications

Dimensions	HP (10 Sets) 600/800 TWR Bezel Support Kit (individual bezel dimensions L x H)	6.32 x 2.81 in (16.06 x 7.15 cm)	
	HP (10 Sets) 600/800 SFF Bezel Support Kit (individual bezel dimensions L x H)	6.03 x 1.61 in (15.32 x 4.08 cm)	
	HP (10 Sets) 800 USDT Bezel Support Kit (individual bezel dimensions L x H)	5.61 x 0.63 in (14.25 x 2.89 cm)	
	HP (select SFF/ST chassis) Tower Stand	2.5 x 20.0 x 7.35 in (6.35 x 50.8 x 18.7 cm)	
	HP 2009 (Black) USDT Tower Stand	1.4 x 4.8 x 6.7 in (3.56 x 12.2 x 17.0 cm)	
	HP 2009 (Black) SFF Tower Stand	1.06 (H) x 6.96 (W) x 7.85 (D) (2.7 x 17.7 x 19.9 cm)	
	HP (50-Pk) 5.25in Blank Bezel Kit and HP 5.25in (Black) Blank Bezel 50 Bulk Pack	5.25 in (13.35 cm)	
	HP 2x2 SFF Stand	7.868 in (W) X 7.026 in (D) X 1.083 in (H)	
	HP (10 Sets) 600/705/800 G2 SFF Bezel Support Kit (individual bezel dimensions L x H)	338*100*39mm	
	HP (10 Sets) 600/705 G2 MicroTower Bezel Support Kit (individual bezel dimensions L x H)	355*170*40mm	
	HP (10 Sets) EliteDesk 800 G2 Tower Bezel Support Kit (individual bezel dimensions L x H)	Slim ODD Dimension: 134.60(mm)x23.92(mm)x14.10 (mm) Grommet screw : M3	
	HP (10 Set) 600/800 G3 Tower Bezel Support Kit	9.5 Slim optical bezel blank, TWR (LxWxH)	6.236 x 0.63 x 0.67 in (158.4 x 16 x 17 mm)
		5.25 optical bezel blank module , TWR/D6 MT (LxWxH)	5.98 x 1.84 x 0.56 in (151.92 x 46.72 x 14.3 mm)
		STAND OFF, FOR M.2 CARD SUPPORT, 8mm HEIGHT (LxWxH)	0.437 x 0.177 x 0.177 in (11.1 x 4.5 x 4.5 mm)
		SCREW, M2x3L	0.157 x 0.15 in (4 x3.8 mm)
	HP (10) 400 G4 600/800 G3 SFF G4 MT Bezel Support Kit	9.5 Slim optical bezel blank, TWR (LxWxH)	6.236 x 0.63 x 0.67 in (158.4 x 16 x 17 mm)
	HP (Bulk 48) G3/4 2.5 HD/SSD M3 Grommet Screw Kit (individual screw dimensions L x H)	M3 thread	0.3 x 0.4 in (7.5 mm dia x 9 mm)
	HP EliteDesk 800 G2 SFF Bezel/Dust Filter (individual bezel dimensions L x H)	338*100*39mm	
	HP EliteDesk 800 G2 SFF 3 Pack Dust Filters (individual bezel dimensions L x H)	311.22*80.57*3mm	
	HP EliteDesk 800 G2 Tower Bezel/Dust Filter (individual bezel dimensions L x H)	389.0*170.0*44.45mm	

Technical Specifications

HP EliteDesk 800 G2 Tower 3 Pack Dust Filters 142.4*183.75*2.7mm
(individual bezel dimensions L x H)

Weight		
	HP (10 Sets) 600/800 TWR Bezel Support Kit	Unpackaged: Approx. 2.15 lb
	HP (10 Sets) 600/800 SFF Bezel Support Kit	Unpackaged: Approx. 0.65 lb
	HP (10 Sets) 800 USDT Bezel Support Kit	Unpackaged: Approx. 0.5 lb
	HP (select SFF/ST chassis) Tower Stand	1.395 lbs (632 g)
	HP 2009 (Black) USDT Tower Stand	0.15 lbs (68 g)
	HP 2009 (Black) SFF Tower Stand	0.27 lbs (122 g)
	HP 2x2 SFF Stand	0.185 lbs (84.19 g)
	HP (10 Sets) 600/705/800 G2 SFF Bezel Support Kit	151g
	HP (10 Sets) 600/705 G2 MicroTower Bezel Support Kit	245.5g
	HP (10 Sets) EliteDesk 800 G2 Tower Bezel Support Kit	Slim ODD Blank Bezel:10.09g/pc X 10 HDD ISO GROMMET:1.53g/pc X 40
	HP (10 Set) 600/800 G3 Tower Bezel Support Kit	Unpackaged: Approx. 0.93 lb
	HP (10) 400 G4 600/800 G3 SFF G4 MT Bezel Support Kit	Sample content: Unpackaged: Approx. 0.165 lb
	HP (Bulk 48) G3/4 2.5 HD/SSD M3 Grommet Screw Kit	Unpackaged: Approx. 0.16 lb, 72 grams
	HP EliteDesk 800 G2 SFF Bezel/Dust Filter	179.4g
	HP EliteDesk 800 G2 SFF 3 Pack Dust Filters	8.4g/pc
	HP EliteDesk 800 G2 Tower Bezel/Dust Filter	332.72g
	HP EliteDesk 800 G2 Tower 3 Pack Dust Filters	22.1g/pc

Technical Specifications

Option kit contents	HP (10 Sets) 600/800 TWR Bezel Support Kit	Optical drive bezel blank module, optical drive bezel trim module, slim optical drive bezel blank module, slim optical drive bezel trim module, drive mount grommets, documentation
	HP (10 Sets) 600/800 SFF Bezel Support Kit	Slim optical bezel blank module, slim optical bezel trim module, drive mount grommets, documentation
	HP (10 Sets) 800 USDT Bezel Support Kit	Slim optical bezel blank module, slim optical bezel trim module, drive mount grommets, documentation
	HP (select SFF/ST chassis) Tower Stand	HP Tower Stand, documentation
	HP 2009 (Black) USDT Tower Stand	HP Tower Stand, documentation
	HP 2009 (Black) SFF Tower Stand	HP 2009 (Black) SFF Tower Stand, documentation
	HP (50-Pk) 5.25 in Blank Bezel Kit	HP (50-pk) 5.25in Blank Bezel Kit, documentation
	HP 5.25 in (Black) Blank Bezel 50 Bulk Pack	HP 5.25 in (Black) Blank Bezel 50 Bulk Pack, documentation
	HP (10 Sets) EliteDesk 800 G2 Tower Bezel Support Kit :	10xTWR slim ODD blank(P/N: 803290-001) and 40xM3 grommet screw (P/N: 511945-003)
	HP (10 Set) 600/800 G3 Tower Bezel Support Kit	9.5 Slim optical bezel blank module, 5.25 optical bezel blank module, M.2 Standoff, M2x3 screw for Standoff, documentation
	HP (10) 400 G4 600/800 G3 SFF G4 MT Bezel Support Kit	9.5 Slim optical bezel blank module, documentation
	HP (Bulk 48) G3/4 2.5 HD/SSD M3 Grommet Screw Kit	Drive mount grommet screws M3, documentation
	HP EliteDesk 800 G2 SFF Bezel/Dust Filter	1 set x SFF AMO bezel with Dust filter (P/N: 824137-001)
	HP EliteDesk 800 G2 SFF 3 Pack Dust Filters	1 pc x SFF dust filter(P/N: 836238-001)
	HP EliteDesk 800 G2 Tower Bezel/Dust Filter	1 set x TWR AMO bezel with Dust filter (P/N: 824125-001)
	HP EliteDesk 800 G2 Tower 3 Pack Dust Filters	1 pc x TWR dust filter(P/N: 824131-001)

Technical Specifications

© Copyright 2019 HP Development Company, L.P. All rights reserved.

The information contained herein is subject to change without notice. The only warranties for HP products are set forth in the express limited warranty statements accompanying such products. Nothing herein should be construed as constituting an additional warranty. HP shall not be liable for technical or editorial errors or omissions contained herein. Microsoft and Windows are US registered trademarks of Microsoft Corporation.

1. [See User Guide for cleaning instructions](#)

Summary of changes

August 4, 2014	From v20 to v21	Upgrade	Change the name and the version for uploading
		Added	Added the change log
September 30, 2014	From v21 to v22	Change	Change the information on the compatibility section on the overview page
June 16, 2015	From v22 to v23	Added	Added the specs “HP 2x2 SFF Stand”
August 11, 2015	From v23 to v24	Added	Added specs and dimensions and weight “ HP (10 Sets) 600/705/800 G2 SFF Bezel Support Kit ” and “ HP (10 Sets) 600/705 G2 MicroTower Bezel Support Kit ”
August 31, 2015	From v24 to v25	Added	Added the following charts: HP EliteDesk 800 G2 SFF 3 Pack Dust Filters HP EliteDesk 800 G2 Tower 3 Pack Dust Filters HP EliteDesk 800 G2 SFF Bezel/Dust Filter HP EliteDesk 800 G2 Tower Bezel/Dust Filter HP (10 Sets) EliteDesk 800 G2 Tower Bezel Support Kit
April 1, 2016	From v25 to v26	Change	Correcting model numbers for certain bezel kits
February 9, 2017	From v26 to v27	Added	Added the following: HP (10 Set) 600/800 G3 Tower Bezel Support Kit HP (10) 400 G4 600/800 G3 SFF G4 MT Bezel Support Kit HP (Bulk 48) G3/4 2.5 HD/SSD M3 Grommet Screw Kit
May 16, 2017	From v27 to v28	Deleted	Model HP (10 Sets) 600/705/800 G2 SFF Bezel Support Kit N7H10AA, Key Benefits Section: - Deleted: Each support kit contains 40 screws (4 for each drive) for 2.5” drives.
November 9, 2017	From v28 to V29	Change	Compatibility updated to HP (10 Sets) 600/705/800 G2 SFF Bezel Support Kit.
November 14, 2017	From v29 to V30	Change	Compatibility updated to HP 2x2 SFF Stand.
November 11, 2019	From v30 to v31	Change	General re-arrangement