

### Overview

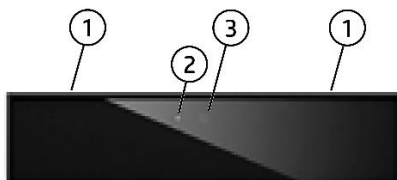
### HP Collaboration G6 24 and 27 All-in-One with Zoom Rooms\*



1. Camera

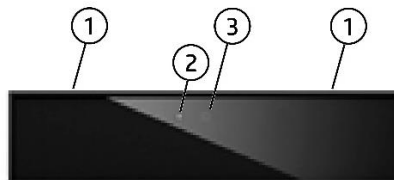
2. Speakers

#### HD Webcam (optional)



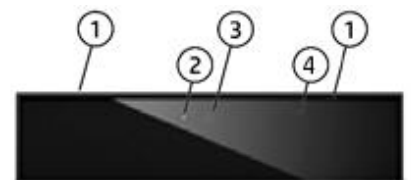
- 1. Dual Microphones
- 2. Webcam Light
- 3. HD Webcam

#### 5MP Webcam (optional)



- 1. Dual Microphones
- 2. Webcam Light
- 3. 5MP Webcam

#### 5MP Webcam with Infrared (IR) Sensors (optional)



- 1. Dual Microphones
- 2. Webcam Light
- 3. IR/5MP Webcam
- 4. IR Light

\*Available Options: 24" FHD Touch and 27" QHD Touch

### Overview

#### HP Collaboration G6 24 and 27 All-in-One with Zoom Rooms\*



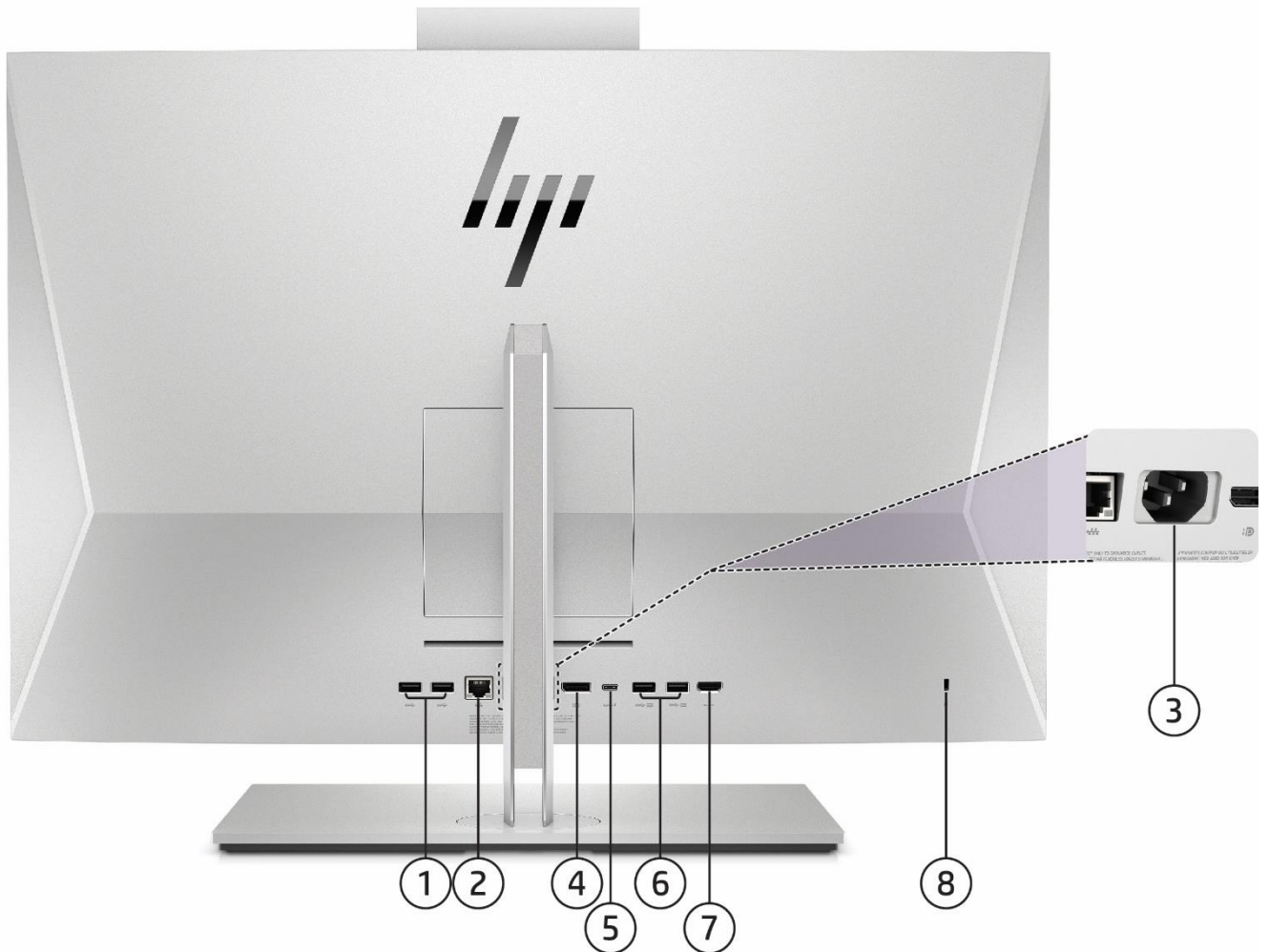
1. Type-A SuperSpeed USB 10Gbps signaling rate port (charge support up to 5V/3A)
2. Type-C® SuperSpeed USB 10Gbps signaling rate port (charge support up to (5V/3A)

3. Combo Audio Jack with CTIA and OMTP headset Support

\*Available Options: 24" FHD Touch and 27" QHD Touch

### Overview

### HP Collaboration G6 24 and 27 All-in-One with Zoom Rooms



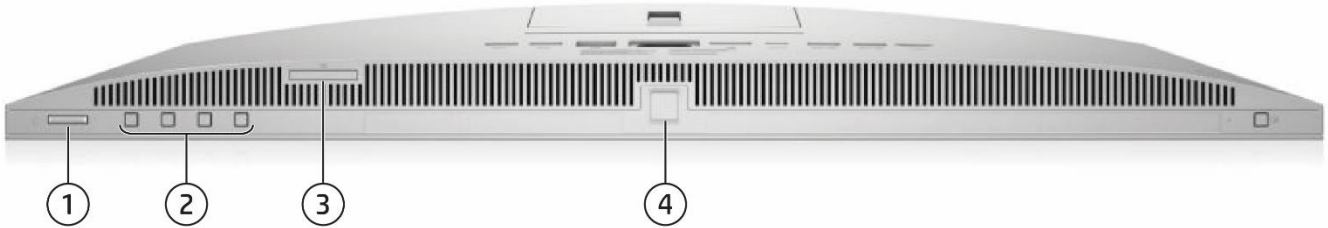
### Rear components and rear ports

1. Type-A SuperSpeed USB 10Gbps signaling rate port (x2)
2. RJ-45 network connector/jack USB 3.1 Gen 2 Type-A port
3. (charge support up to 5V/1.5A)  
Power Connector
4. Dual-Mode DisplayPort™1.4 (DP++)
5. Type-C® SuperSpeed USB 10Gbps signaling rate port (charge support up to (5V/3A))
6. Type-A SuperSpeed USB 5Gbps signaling rate port (x2)
7. HDMI-in 2.0a connector
8. Standard cable lock slot

\*Available Options: 24" FHD Touch and 27" QHD Touch

### Overview

### HP Collaboration G6 24 and 27 All-in-One with Zoom Rooms



#### Bottom

1. Dual-State Power button
2. OSD control buttons
3. SD card reader 4.0 (optional)
4. Fingerprint Sensor (optional)

#### Not shown

##### Slots

- (1) internal M.2 PCIe x1 connector for optional wireless NIC
- (2) internal M.2 PCIe x4 connector for optional m.2 SSD

##### VESA

Support for VESA 100 mounting system on back of PC chassis (mounting hardware sold separately)

### Features

#### AT A GLANCE

- HP developed and engineered UEFI V2.7 BIOS supporting security, manageability and software image stability
- Intel® Q470 chipset supporting Intel® 10<sup>th</sup> generation Core™ processors, featuring integrated Intel® UHD Graphics and Intel® vPro™ Technology (available with Core i3, Core i5, Core i7 and Core i9 processors) <sup>1,4</sup>
- Processors up to 65W on AiO
- Intel® Optane™ Memory H10 with Solid State Storage
- Intel® Ethernet Connection I219LM GbE LOM integrated network connection
- Intel® Wi-Fi 6 + BT5 (802.11AX 2x2)
- DDR4 Synchronous Dynamic Random Access Memory (SDRAM) (Transfer rates up to 2933 MT/s)<sup>2</sup>
- AiO supports up to two additional monitors via DisplayPort™ or Type-C® USB in alternate mode.
- Compatible with HP Reverb VR Headset
- Models can be configured with multiple data drives in a RAID array
- Zoom Rooms Pre-installed and Zoom Rooms or Personal Zoom Rooms for Touch Enabled.
- Audio by Bang & Olufsen
- Enhanced Security with HP Security Suite (Refer to Security Section for details)
- ENERGY STAR® certified. EPEAT® 2019 registered where applicable. EPEAT® registration varies by country. See <http://www.epeat.net> for registration status by country. According to IEEE 1680.1-2018.
- CCC, CECP and SEPA Certified
- TCO Edge (TCO Edge not available for models with HP Sure View)
- PC chassis and all internal components and modules are manufactured with low halogen content <sup>3</sup>
- Protected by HP Services, including limited warranties up to 3-3-3 (terms and conditions vary by country; certain restrictions and exclusions apply); Care Packs available with up to 5 years Next Business Day Onsite Hardware Support
- Compliance with CE (Class B) / FCC (Class B) / UL (UL60950-1 /UL62368-1) / CSA (CSA C22.2 No.60950-1-07 / CSA C22.2No. 62368-1-14) / ICES-003 / CCC / VCCI (Class B) / KCC (Class B)

1. Multi core is designed to improve performance of certain software products. Not all customers or software applications will necessarily benefit from use of this technology. Performance and clock frequency will vary depending on application workload and your hardware and software configurations. Intel's numbering, branding and/or naming is not a measurement of higher performance.

2. Maximum transfer rate only available with Intel® Core i7 and Core i9 Processors.

3. External power supplies, power cords, cables and peripherals are not low halogen. Service parts obtained after purchase may not be low halogen.

4. For full Intel® vPro™ functionality, Windows, a vPro supported processor, vPro enabled Q370 chipset or higher and vPro enabled WLAN card are required. Some functionality, such as Intel Active management technology and Intel Virtualization technology, requires additional 3rd party software in order to run. Availability of future "virtual appliances" applications for Intel vPro technology is dependent on 3rd party software providers. Compatibility of this generation of Intel vPro technology-based hardware with future "virtual appliances" is yet to be determined.

**NOTE: See important legal disclosures for all listed specs in their respective feature's sections**

### Features

#### PRODUCT NAME

HP Collaboration G6 24 and 27 All-in-One with Zoom Rooms

#### OPERATING SYSTEM

**Preinstalled** Windows 10 IoT 64 Enterprise<sup>1</sup>

**Web-supported only** Windows 10 IoT 64 Enterprise<sup>1</sup>

1. Not all features are available in all editions or versions of Windows. Systems may require upgraded and/or separately purchased hardware, drivers, software or BIOS update to take full advantage of Windows functionality. Windows 10 is automatically updated, which is always enabled. ISP fees may apply and additional requirements may apply over time for updates. See <http://www.windows.com/>.

**NOTE:** Your product does not support Windows 8 or Windows 7. In accordance with Microsoft's support policy, HP does not support the Windows<sup>®</sup> 8 or Windows 7 operating system on products configured with Intel<sup>®</sup> and AMD<sup>®</sup> 7th generation and forward processors or provide any Windows<sup>®</sup> 8 or Windows 7 drivers on <http://www.support.hp.com>. A full list of HP products and the Windows 10 versions tested is available on the HP support website. <https://support.hp.com/us-en/document/c05195282>

#### SUPPORTED VERSIONS

HP tested Windows 10, version 1809 on this platform. For testing information on newer versions of Windows 10, please see: <https://support.hp.com/document/c05195282>

#### CHIPSET

Intel <sup>®</sup> Q470 PCH-H- vPro <sup>®</sup>
--

### Features

#### **PROCESSORS**

##### **Intel® 10<sup>th</sup> Generation Core™ Processors**

Intel® Core™ i5 10600 processor with Intel® UHD Graphics 630 (3.3 GHz, 12 MB cache, 6 cores) 65W<sup>1,2</sup> Supports Intel® vPro® Technology<sup>3</sup>

Intel® Core™ i5 10500 processor with Intel® UHD Graphics 630 (3.1 GHz, 12 MB cache, 6 cores) 65W<sup>1,2</sup> Supports Intel® vPro® Technology<sup>3</sup>

Intel® Core™ i5 10400 processor with Intel® UHD Graphics 630 (2.9 GHz, 12 MB cache, 6 cores) 65W<sup>1,2</sup>

#### **GRAPHICS**

##### **Integrated Intel® Graphics**

Intel® UHD Graphics 630 (integrated on 10<sup>th</sup> gen Core i9/i7/i5/i3, Pentium® Gold G6600, G6500)

##### **Adapters and Cables**

- HP DisplayPort Cable
- HP DisplayPort to DVI-D Adapter
- HP DisplayPort to HDMI True 4K Adapter
- HP DisplayPort to VGA Adapter
- HP USB to Serial Port Adapter
- HP USB-C to HDMI 4K Adapter
- HP USB-C to DisplayPort Adapter
- HP DVI Cable
- HP HDMI Standard Cable Kit (HDMI)
- HP DVI Cable Kit

### Features

#### **STORAGE<sup>1</sup>**

##### **M.2 PCIe NVMe Solid State Drives (SSD)**

128GB M.2 2280 PCIe NVMe Three Layer Cell SSD

##### **Media Card Reader (optional)**

SD 4.0 with 5-in-1 Interface (Supports SD, SDXC, SDHC, UHS-I, UHS-II)

1. For hard drives and solid state drives, GB = 1 billion bytes. TB = 1 trillion bytes. Actual formatted capacity is less. Up to 36 GB (for Windows 10) of system disk is reserved for the system recovery software. Storage DriveLock does not work with Self Encrypting or Optane based storage.



### Features

#### MEMORY

##### Memory Type

DDR4-2666 (Transfer rates up to 2666 MT/s), 64 GB, 2 SODIMM

##### Memory Configuration

8 GB (2 x 4 GB)\*

**NOTE:** For systems configured with more than 3 GB of memory and a 32-bit operating system, all memory may not be available due to system resource requirements. Addressing memory above 4 GB requires a 64-bit operating system.

Memory modules support data transfer rates up to 2666 MT/s or 2933 MT/s (requires i7 or i9) as depending on processor config; with 1 DIMM per channel. Additional DIMM loading on any channel may impact maximum memory speed. Actual data rate is determined by the system's configuration; See processor specifications for supported memory data rate.

**NOTE:** All memory slots are customer accessible / upgradeable.

**\*NOTE:** Due to the non-industry standard nature of some third-party memory modules, we recommend HP branded memory to ensure compatibility. If you mix memory speeds, the system will perform at the lower memory speed.

#### NETWORKING/COMMUNICATIONS

##### Ethernet (RJ-45)

Intel® I219-LM Gigabit Network Connection LOM (standard)

##### Wireless<sup>1</sup>

Intel® Wi-Fi 6 AX201 + BT5 (802.11AX 2x2 vPro, supporting gigabit file transfer speed)

1. Wireless access point and Internet service required and not included. Availability of public wireless access points limited. The specifications for the 802.11ax WLAN are draft specifications and are not final. If the final specifications differ from the draft specifications, it may affect the ability of the PC to communicate with 802.11ax WLAN devices. Wi-Fi 6 requires a wireless router, sold separately, that supports 802.11ax (Wi-Fi 6). Only available in countries where 802.11ax is supported. Wi-Fi supporting gigabit speeds is achievable when transferring files between two devices connected to the same router. Requires a wireless router, sold separately, that supports 160MHz channels.

### Features

#### **KEYBOARDS AND POINTING DEVICES**

##### **Keyboards**

- HP Wired Desktop 320K Keyboard
- HP USB Premium Keyboard
- HP USB Business Slim Smart Card (CCID) Keyboard
- HP USB Keyboard
- HP Wireless Business Slim Keyboard and Mouse
- HP USB Business Slim Antimicrobial Keyboard<sup>2</sup>
- HP Wireless Premium Keyboard and Mouse
- HP USB Keyboard and Mouse Healthcare Edition

##### **Mouse**

- HP Wired Desktop 320M Mouse
- HP USB Optical Mouse
- HP USB Premium Mouse
- HP USB 1000dpi Laser Mouse
- Antimicrobial USB Mouse<sup>2</sup>
- HP USB Hardened Mouse<sup>2</sup>
- HP USB Fingerprint Reader Mouse

1. PS/2 port not available on EliteOne 800 G6 AiOs and not available on any EliteDesk 800 G6 DMs

2. Not available in all regions

### Features

#### SECURITY

TPM 2.0 (FW: 7.85) endpoint security controller (Infineon SLB9670) shipped with Windows 10. Common Criteria EAL4+ Certified. FIPS 140-2 Level 2 Certified.

Intrusion Sensor for AiO (integrated in the PCA, can be enabled/disabled through BIOS)

Support for chassis cable lock devices

HP Fingerprint Sensor (optional)

Serial, USB enable/disable (via BIOS)

Intel® Identify Protection Technology (IPT)<sup>1</sup>

Serial, parallel, USB enable/disable (via BIOS)

Optional USB Port Disable at factory (user configurable via BIOS)

Removable media write/boot control

Power-on password (via BIOS)

Setup password (via BIOS)

1. Models configured with Intel® Core™ processors have the ability to utilize advanced security protection for online transactions. IPT, used in conjunction with participating web sites, provides double identity authentication by adding a hardware component in addition to the usual user name and password. IPT is initialized through an HP Client Security module.

#### PORTS

##### Standard User Accessible Ports

Type-A SuperSpeed USB 5 Gbps signaling rate port	2 rear
Type-A SuperSpeed USB 10 Gbps signaling rate port	2 rear 1 side
Type-C® SuperSpeed USB 10 Gbps signaling rate port	1 rear 1 side
Video	For models with integrated graphics: 1 DisplayPort™ 1.4 (rear) 1 USB Type-C® with alt mode display or 15W output) (rear) 1 HDMI-In (rear)
	For models with discrete graphics: 1 DisplayPort™ 1.4 (rear) 1 USB Type-C® with alt mode display or 15W output) (rear) 1 HDMI-In (rear)
Audio	1 CTIA/OMTP UAJ (side)
Network Interface	1 RJ45 (rear)

##### Slots

M.2 PCIe	(1) M.2 PCIe x1 2230 (for WLAN) (2) M.2 PCIe x4 2280 Combo (for storage)
----------	---

##### Bays

SD Card Reader	1
----------------	---

SATA 2.5" internal storage drive cannot be selected if 2nd M.2, discrete graphic card, or 95W processor is selected.

## Features

### USB SPECIFICATION AND MARKETING NAME MAPPING TABLE

Marketing Name	Technical Terminology
Hi-Speed USB 480Mbps signaling rate	USB 2.0
SuperSpeed USB 5Gbps signaling rate	USB 3.2 Gen 1
SuperSpeed USB 10Gbps signaling rate	USB 3.2 Gen 2
SuperSpeed USB 20Gbps signaling rate	USB 3.2 Gen 2x2

## Features

**SOFTWARE COMPONENTS AND APPLICATIONS WITH WINDOWS****BIOS**

HP BIOSphere Gen6 <sup>16</sup>  
HP DriveLock & Automatic DriveLock  
BIOS Update via Network  
HP Secure Erase <sup>18</sup>  
Absolute Persistence Module <sup>19</sup>  
Pre-boot Authentication  
HP Wake on WLAN

**Software**

Zoom Rooms for Touch<sup>26</sup>  
HP Desktop Support Utilities  
HP JumpStart  
HP Privacy Settings  
HSA Fusion for Commercial  
HSA Telemetry for Commercial  
Touchpoint customizer for Commercial  
HP Setup Integrated OOB  
HP Support Assistant <sup>21</sup>  
HP Noise Cancellation Software

**Manageability Features**

HP Driver Packs (download)<sup>22</sup>  
HP System Software Manager (SSM) (download)  
HP BIOS Config Utility (BCU) (download)  
HP Client Catalog (download)  
HP Image Assistant Gen5 (download)  
HP Manageability Integration Kit for Microsoft System Center Configuration Management Gen4 (download)<sup>23</sup>  
Ivanti Management Suite (download)<sup>24</sup>  
HP Cloud Recovery<sup>39</sup>  
HP Client Management Script Library (download)

**Client Security Software**

HP Client Security Suite Gen6<sup>25</sup>  
HP Power On Authentication  
Windows Defender<sup>27</sup>

**Security Management**

Trusted Platform Module TPM 2.0 Embedded Security Chip shipped with Windows 10. (Common Criteria EAL4+ Certified).  
SATA 0,1 port disablement (via BIOS)  
Serial, USB enable/disable (via BIOS)  
Power-on password (via BIOS)  
Setup password (via BIOS)  
Support for chassis padlocks and cable lock devices  
HP Sure Click<sup>33</sup>  
HP Sure Sense<sup>34</sup>  
HP Sure Start Gen6<sup>30</sup>  
HP Sure Run Gen3<sup>35</sup>  
HP Sure Recover Gen3<sup>36</sup>

16. HP BIOSphere Gen6 is available on select HP Pro and Elite PCs. See product specifications for details. Features may vary depending on the platform and configurations.

### Features

18. HP Secure Erase for the methods outlined in the National Institute of Standards and Technology Special Publication 800-88 "Clear" sanitation method. HP Secure Erase does not support platforms with Intel® Optane™.
19. Absolute agent is shipped turned off, and will be activated when customers activate a purchased subscription. Subscriptions can be purchased for terms ranging multiple years. Service is limited, check with Absolute for availability outside the U.S. The Absolute Recovery Guarantee is a limited warranty. Certain conditions apply. For full details visit: <http://www.absolute.com/company/legal/agreements/computrace-agreement>. Data Delete is an optional service provided by Absolute Software. If utilized, the Recovery Guarantee is null and void. In order to use the Data Delete service, customers must first sign a Pre-Authorization Agreement and either obtain a PIN or purchase one or more RSA SecurID tokens from Absolute Software.
21. HP Support Assistant requires Windows and Internet access.
22. HP Driver Packs not preinstalled, however available for download at <http://www.hp.com/go/clientmanagement>.
23. HP Manageability Integration Kit can be downloaded from <http://www8.hp.com/us/en/ads/clientmanagement/overview.html>.
24. Ivanti Management Suite subscription required.
25. HP Client Security Manager Gen6 requires Windows and is available on select HP Pro and Elite PCs.
26. Zoom Rooms license required and sold separately to use as a shared/room-based device. For Personal Zoom Rooms device is usable with any Zoom Meetings license, basic (free) to Premium. An Intel® Core™ i3, i5, or i7 processor is required to support Zoom. Compatibility requires Zoom Rooms 5.0+.
27. Windows Defender Opt in and internet connection required for updates
30. HP Sure Start Gen6 is available on select HP PCs
33. HP Sure Click requires Windows 10 Pro or Enterprise. See [https://bit.ly/2PrLT6A\\_SureClick](https://bit.ly/2PrLT6A_SureClick) for complete details.
34. HP Sure Sense requires Windows 10 or Enterprise.
35. HP Sure Run Gen3 is available on select Windows 10 based HP Pro, Elite and Workstation PCs with select Intel® or AMD processors.
36. HP Sure Recover Gen3 is available on select HP PCs and requires an open network connection. You must back up important files, data, photos, videos, etc. before using HP Sure Recover to avoid loss of data. Network based recovery using Wi-Fi is only available on PC's with Intel Wi-Fi Module.
39. HP Cloud Recovery is available for HP Elite and Pro desktops and laptops PCs with Intel® or AMD processors and requires an open, wired network connection. Note: You must back up important files, data, photos, videos, etc. before use to avoid loss of data. Detail please refer to: <https://support.hp.com/us-en/document/c05115630>.

### Features

#### ENVIRONMENTAL & INDUSTRY

##### ENERGY STAR® certified models available

ENERGY STAR® certified. EPEAT® 2019 registered where applicable. EPEAT® registration varies by country. See <http://www.epeat.net> for registration status by country. According to IEEE 1680.1-2018.

Low halogen (chassis, all internal components and modules)<sup>1</sup>  
TAA compliant models available

1. External power supplies, power cords, cables and peripherals are not Low Halogen. Service parts obtained after purchase may not be Low Halogen.

#### UNIT ENVIRONMENT AND OPERATING CONDITIONS

##### General Unit Operating Guidelines

- Keep the computer away from excessive moisture, direct moisture and the extremes of heat and cold, to ensure that unit is operated within the specified operating range.
- Leave a 10.2 cm (4 in) clearance on all vented sides of the computer to permit the required airflow.
- Never restrict airflow into the computer by blocking any vents or air intakes.
- Do not stack computers on top of each other or place computers so near each other that they are subject to each other's re-circulated or preheated air.
- Occasionally clean the air vents on the front, back, and any other vented side of the computer. Lint, dust and other foreign matter can block the vents and limit the airflow.
- If the computer is to be operated within a separate enclosure, intake and exhaust ventilation must be provided on the enclosure, and the same operating guidelines listed above will still apply.

Temperature Range                      Operating: 50° to 95° F (10° to 35° C)<sup>1</sup>  
Non-operating: -22° to 149° F (-30° to 65° C)

Relative Humidity                      Operating: 10% to 90% (non-condensing at ambient)  
Non-operating: 5% to 95% (non-condensing at ambient)

Maximum Altitude                      Operating: 5000m  
(unpressurized)                      Non-operating: 50000ft (15240 m)

1. Operating temperature is de-rated 1.0 deg C per 300 m (1000 ft) to 3000 m (10,000 ft) above sea level, no direct sustained sunlight. Maximum rate of change is 10 deg C/Hr. The upper limit may be limited by the type and number of options installed.

### Features

<b>Eco-Label Certifications &amp; declarations</b>	<p>This product has received or is in the process of being certified to the following approvals and may be labeled with one or more of these marks:</p> <ul style="list-style-type: none"> <li>• IT ECO declaration</li> <li>• US ENERGY STAR®</li> <li>• ENERGY STAR® certified. EPEAT® 2019 registered where applicable. EPEAT® registration varies by country. See <a href="http://www.epeat.net">www.epeat.net</a> for registration status by country. According to IEEE 1680.1-2018.</li> </ul>		
<b>System Configuration</b>	The configuration used for the Energy Consumption and Declared Noise Emissions data for the Notebook model is based on a Typically Configured Notebook.		
<b>Energy Consumption (in accordance with US ENERGY STAR® test method)</b>	<b>115VAC, 60Hz</b>	<b>230VAC, 50Hz</b>	<b>100VAC, 60Hz</b>
Normal Operation (Short idle)			
Normal Operation (Long idle)			
Sleep			
Off			
	<p><b>NOTE:</b> Energy efficiency data listed is for an ENERGY STAR® compliant product if offered within the model family. HP computers marked with the ENERGY STAR® Logo are compliant with the applicable U.S. Environmental Protection Agency (EPA) ENERGY STAR® specifications for computers. If a model family does not offer ENERGY STAR® compliant configurations, then energy efficiency data listed is for a typically configured PC featuring a hard disk drive, a high efficiency power supply, and a Microsoft Windows® operating system.</p>		
<b>Heat Dissipation*</b>	<b>115VAC, 60Hz</b>	<b>230VAC, 50Hz</b>	<b>100VAC, 60Hz</b>
Normal Operation (Short idle)			
Normal Operation (Long idle)			
Sleep			
Off			
	<p><b>NOTE:</b> Heat dissipation is calculated based on the measured watts, assuming the service level is attained for one hour.</p>		
<b>Declared Noise Emissions (in accordance with ISO 7779 and ISO 9296)</b>	Sound Power (L <sub>WAd</sub> , bels)	Sound Pressure (L <sub>pAm</sub> , decibels)	
Typically Configured – Idle			
Fixed Disk – Random writes			
Longevity and Upgrading	<p>This product can be upgraded, possibly extending its useful life by several years. Upgradeable features and/or components contained in the product may include:</p> <p>Spare parts are available throughout the warranty period and or for up to “5” years after the end of production.</p>		
Batteries	<p>This battery(s) in this product comply with EU Directive 2006/66/EC</p> <p>Batteries used in the product do not contain:            Mercury greater the 1ppm by weight            Cadmium greater than 20ppm by weight</p> <p>Battery size: CR2032 (coin cell)            Battery type: Lithium</p>		



### Features

<b>Additional Information</b>	<ul style="list-style-type: none"> <li>• This product is in compliance with the Restrictions of Hazardous Substances (RoHS) directive - 2011/65/EC.</li> <li>• This HP product is designed to comply with the Waste Electrical and Electronic Equipment (WEEE) Directive – 2002/96/EC.</li> <li>• This product is in compliance with California Proposition 65 (State of California; Safe Drinking Water and Toxic Enforcement Act of 1986).</li> <li>• ENERGY STAR® certified. EPEAT® 2019 registered where applicable. EPEAT® registration varies by country. See <a href="http://www.epeat.net">www.epeat.net</a> for registration status by country. According to IEEE 1680.1-2018.</li> <li>• Plastics parts weighing over 25 grams used in the product are marked per ISO11469 and ISO1043.</li> <li>• This product contains a minimum of 40% post-consumer recycled plastic (by wt.); including 10% ITE-derived post-consumer recycled plastic*</li> <li>• This product is 95.1% recycle-able when properly disposed of at end of life.</li> </ul> <p>*NOTE: Recycled plastic content percentage is based on the definition set in the IEEE 1680.1-2018 standard.</p>		
<b>Packaging Materials</b>	<b>External:</b>	PAPER/Corrugated	322 g
	<b>Internal:</b>	PLASTIC/EPE (Expanded Polyethylene)	32 g
		PLASTIC/Polyethylene low density	5 g
<b>Material Usage</b>	<p>This product does not contain any of the following substances in excess of regulatory limits (refer to the HP General Specification for the Environment at <a href="http://www.hp.com/hpinfo/globalcitizenship/environment/pdf/gse.pdf">http://www.hp.com/hpinfo/globalcitizenship/environment/pdf/gse.pdf</a>):</p> <ul style="list-style-type: none"> <li>• Asbestos</li> <li>• Certain Azo Colorants</li> <li>• Certain Brominated Flame Retardants – may not be used as flame retardants in plastics</li> <li>• Cadmium</li> <li>• Chlorinated Hydrocarbons</li> <li>• Chlorinated Paraffins</li> <li>• Formaldehyde</li> <li>• Halogenated Diphenyl Methanes</li> <li>• Lead carbonates and sulfates</li> <li>• Lead and Lead compounds</li> <li>• Mercuric Oxide Batteries</li> <li>• Nickel – finishes must not be used on the external surface designed to be frequently handled or carried by the user.</li> <li>• Ozone Depleting Substances</li> <li>• Polybrominated Biphenyls (PBBs)</li> <li>• Polybrominated Biphenyl Ethers (PBEBs)</li> <li>• Polybrominated Biphenyl Oxides (PBBOs)</li> <li>• Polychlorinated Biphenyl (PCB)</li> <li>• Polychlorinated Terphenyls (PCT)</li> <li>• Polyvinyl Chloride (PVC) – except for wires and cables, and certain retail packaging has been voluntarily removed from most applications.</li> <li>• Radioactive Substances</li> <li>• Tributyl Tin (TBT), Triphenyl Tin (TPT), Tributyl Tin Oxide (TBTO)</li> </ul>		
<b>Packaging Usage</b>	<p>HP follows these guidelines to decrease the environmental impact of product packaging:</p> <ul style="list-style-type: none"> <li>• Eliminate the use of heavy metals such as lead, chromium, mercury and cadmium in packaging materials.</li> <li>• Eliminate the use of ozone-depleting substances (ODS) in packaging materials.</li> <li>• Design packaging materials for ease of disassembly.</li> <li>• Maximize the use of post-consumer recycled content materials in packaging materials.</li> <li>• Use readily recyclable packaging materials such as paper and corrugated materials.</li> <li>• Reduce size and weight of packages to improve transportation fuel efficiency.</li> <li>• Plastic packaging materials are marked according to ISO 11469 and DIN 6120 standards.</li> </ul>		

### Features

<b>End-of-life Management and Recycling</b>	<p>HP Inc. offers end-of-life HP product return and recycling programs in many geographic areas. To recycle your product, please go to: <a href="http://www.hp.com/go/reuse-recycle">http://www.hp.com/go/reuse-recycle</a> or contact your nearest HP sales office. Products returned to HP will be recycled, recovered or disposed of in a responsible manner.</p> <p>The EU WEEE directive (2002/95/EC) requires manufacturers to provide treatment information for each product type for use by treatment facilities. This information (product disassembly instructions) is posted on the Hewlett Packard web site at: <a href="http://www.hp.com/go/recyclers">http://www.hp.com/go/recyclers</a>. These instructions may be used by recyclers and other WEEE treatment facilities as well as HP OEM customers who integrate and re-sell HP equipment.</p> <p>Global Citizenship Report <a href="http://www.hp.com/hpinfo/globalcitizenship/gcreport/index.html">http://www.hp.com/hpinfo/globalcitizenship/gcreport/index.html</a></p> <p>Eco-label certifications <a href="http://www8.hp.com/us/en/hp-information/environment/ecolabels.html">http://www8.hp.com/us/en/hp-information/environment/ecolabels.html</a></p> <p>ISO 14001 certificates: <a href="http://www.hp.com/hpinfo/globalcitizenship/environment/pdf/PC_GBU_Product_Design_ISO_14K_Certificate.pdf">http://www.hp.com/hpinfo/globalcitizenship/environment/pdf/PC_GBU_Product_Design_ISO_14K_Certificate.pdf</a> and <a href="http://www.hp.com/hpinfo/globalcitizenship/environment/pdf/cert.pdf">http://www.hp.com/hpinfo/globalcitizenship/environment/pdf/cert.pdf</a></p>
---	--

### Features

#### **SERVICE AND SUPPORT**

On-site Warranty<sup>15</sup>: Three-year (3-3-3) limited warranty delivers three years of on-site, next business day<sup>16</sup> service for parts and labor and includes free support 24 x 7<sup>17</sup>. Three-year onsite and labor are not available in all countries. Service offers terms up to 5 years by choosing an optional HP Care Pack. To choose the right level of service for your HP product, visit HP Care Pack Central: <http://www.hp.com/go/cpc>.<sup>18</sup>

15. Terms and conditions may vary by country. Certain restrictions and exclusions apply. Other warranty variations may be offered in your region.

16. On-site service may be provided pursuant to a service contract between HP and an authorized HP third-party provider, and is not available in certain countries. Global service response times are based on commercially reasonable best effort and may vary by country.

17. Technical telephone support applies only to HP-configured and third-party HP qualified hardware and software. Toll-free calling and 24 x 7 support may not be available in some countries.

18. HP Care Packs are sold separately. Service levels and response times for HP Care Packs may vary depending on your geographic location. Service starts on date of hardware purchase. Restrictions and limitations apply. For details, visit <http://www.hp.com/go/cpc>. HP Services are governed by the applicable HP terms and conditions of service provided or indicated to Customer at the time of purchase. Customer may have additional statutory rights according to applicable local laws, and such rights are not in any way affected by the HP terms and conditions of service or the HP Limited Warranty provided with your HP Product

#### **CERTIFICATION AND COMPLIANCE**

##### **Energy Efficiency Compliance**

ENERGY STAR® certified. EPEAT® 2019 registered where applicable. EPEAT® registration varies by country. See <http://www.epeat.net> for registration status by country. According to IEEE 1680.1-2018.

### Technical Specifications – Processors

#### PROCESSORS

##### 10th Generation Intel® Core™ Processors

All HP EliteDesk 800 G6 Business PC models featuring this technology include processors that are part of the Intel® Stable Image Platform Program (SIPP) designed to ensure the stability promise inherent in the value proposition of the HP EliteDesk and EliteOne 800 G6 Business PC.

Intel® Advanced Management Technology (AMT) v12 – An advanced set of remote management features and functionality which provides network administrators the latest and most effective tools to remotely discover, heal, and protect networked client systems regardless of the system's health or power state. AMT 12 includes the following advanced management functions:

- Support for configuration of Intel AMT 12.0 new capabilities
- No reset after provisioning
- Support changes to BIOS table 130
- Support for Microsoft Windows Server 2012 R2
- Support for New Microsoft SQL Server Versions including Standard and Enterprise editions
- Support for Intel SSD Prop 2500 Series
- Support for Intel Enterprise Digital Fence
- The Platform Discovery Utility can now discover these additional Intel products:
- Intel SSD Pro 2500 Series; Enterprise Digital Fence
- Intel Identity Protection Technology with One Time Password; Public Key Infrastructure; Multi Factor Authentication
- Intel Identity Protection Technology with Intel WiGig
- New Profile Editor and Profile Editor Plugin Interface
- New Required Permissions for Solutions Framework

## Technical Specifications – Display Panel Specifications

**DISPLAY PANEL SPECIFICATIONS****23.8" diagonal IPS widescreen WLED backlit anti-glare LCD (1920 x 1080) Projected Capacitive**

Touch supports up to 10 touch-points

<b>Type IPS</b>	WLED Backlit LCD
<b>Active area (mm)</b>	527.04 x 296.46
<b>Native Resolution (HxV)</b>	1920 x 1080
<b>Refresh Rate</b>	1920 x 1080
<b>Aspect ratio</b>	16:9
<b>Pixel pitch (HxV)(mm)</b>	0.2745 x 0.2745
<b>Contrast ratio</b>	1000:1
<b>Brightness</b>	250nits
<b>Viewing angle (HxV)</b>	178° x 178°
<b>Backlight lamp life (to half brightness)</b>	30,000 hours minimum
<b>Color support</b>	Up to 16.7 million colors with the use of FRC technology
<b>Color gamut</b>	NTSC 72%
<b>Anti-glare</b>	Yes*
<b>Response Time</b>	14ms
<b>Default color temperature</b>	Warm (6500K)

**27.0" diagonal IPS widescreen WLED backlit anti-glare LCD (2560 x 1440) Touch**

Support HW low blue light feature

<b>Type</b>	IPS WLED Backlit LCD
<b>Active area (mm)</b>	596.736 x 335.664
<b>Native Resolution (HxV)</b>	2560 x 1440
<b>Refresh Rate</b>	60 Hz @ 1920 x 1080
<b>Aspect ratio</b>	16:9
<b>Pixel pitch (HxV)(mm)</b>	0.2331 x 0.2331
<b>Contrast ratio</b>	1000:1
<b>Brightness*</b>	300nits
<b>Viewing angle (HxV)</b>	178° x 178°
<b>Backlight lamp life (to half brightness)</b>	30,000 hours minimum
<b>Color support</b>	Up to 16.7 million colors with the use of FRC technology
<b>Color gamut</b>	NTSC 72%
<b>Anti-glare</b>	Yes*
<b>Response Time</b>	14ms
<b>Default color temperature</b>	Warm (6500K)

1. All performance specifications represent the typical specifications provided by HP's component manufacturers; actual performance may vary either higher or lower.

2. For All in One only Intel® HD Graphics (integrated)

**NOTE\*:** Actual brightness will be lower with touchscreen or HP Sure View

### Technical Specifications – Display Panel Specifications

<b>Adjustable Height Stand:</b>	Height - Vertical/Landscape Adjustment	130mm ( $\pm 2$ mm)
	Portrait Adjustment	No portrait
	Tilt Angle	-5° to +18° ( $\pm 2^\circ$ ) in landscape and portrait
	Rotation (Swivel)	90° ( $\pm 1^\circ$ ) (45 left, 45 right)
	Pivot	No pivot
<b>Recline Stand:</b>	Height - Vertical Adjustment	No height
	Tilt Angle	+36.5° to +58° (+/-1.5°)
	Rotation (swivel)	No swivel

### Technical Specifications – Graphics

#### GRAPHICS

Intel® UHD Graphics (integrated)

**VGA Controller**

Integrated

**DisplayPort™ 1.4**

Multimode capable; supports HDCP, DisplayPort™ Audio (2 streams), HBR2 link rates and Multi-Stream Technology for a maximum of 3 displays (including the integrated panel and all attached displays)

**HDMI-in**

Support HDMI-In

**Memory**

The actual amount of maximum graphics memory can be >4GB. System memory is allocated for graphics as needed using Intel's Dynamic Video Memory Technology (DVMT), to provide an optimal balance between graphics and system memory use.

**Maximum Color Depth**

up to 10 bits/color  
HEVC 10b Enc/Dec HW  
VP9 10b Dec HW

**Graphics/Video API Support**

HDR  
Rec. 2020  
DX12

**Max. Resolution (VGA)**

2048 x 1536@60Hz

**Max. Resolution (HDMI)**

4096 x 2160@60Hz

**Max. Resolution (DP)**

4096 x 2160@60Hz

### Technical Specifications – Storage

#### STORAGE\*

##### 128 GB M.2 2280 PCIe NVMe Three Layer Cell SSD

<b>Drive Weight</b>	< 10g
<b>Capacity</b>	128 GB
<b>Height</b>	2.38mm
<b>Length</b>	80mm
<b>Width</b>	22mm
<b>Interface</b>	PCIe Gen3
<b>Maximum Sequential Read</b>	Up to 2800MB/s
<b>Maximum Sequential Write</b>	Up to 600MB/s
<b>Logical Blocks</b>	250,069,680
<b>Operating Temperature</b>	0° to 70°C (32° to 158°F) [ambient temp]
<b>Features</b>	APST; ASPM L1.2; NVME spec 1.2

**\*NOTE:** For hard drives and solid state drives, GB = 1 billion bytes. TB = 1 trillion bytes. Actual formatted capacity is less. Up to 36 GB (for Windows 10) of system disk is reserved for the system recovery software.



### Technical Specifications – Networking and Communications

#### NETWORKING AND COMMUNICATIONS

<b>Intel® i219LM 10/100/1000 Integrated NIC</b>	
<b>Connector</b>	RJ-45
<b>System Interface</b>	PCI (Intel proprietary) + SMBus
<b>Data rates supported</b>	10 Mbit/s operation (10BASE-T; IEEE 802.3i; IEEE 802.3 clauses 13-14) 100 Mbit/s operation (100BASE-TX; IEEE 802.3u; IEEE 802.3 clauses 21-30) 1000 Mbit/s operation (1000BASE-T; IEEE 802.3ab; IEEE 8023 clauses 40) Auto-Negotiation (Automatic Speed Selection) Full Duplex Operation at all Speeds, Half Duplex operation at 10 and 100 Mbit/s
<b>IEEE Compliance</b>	IEEE 802.1p QoS (Quality of Service) Support IEEE 802.1q VLAN support IEEE 802.3x Flow Control (IEEE 802.3 clauses 31-32; configurable) IEEE 802.3az EEE (Energy Efficient Ethernet)
<b>Performance</b>	TCP/IP/UDP Checksum Offload (configurable) Protocol Offload (ARP & NS) Large send offload and Giant send offload Receiving Side Scaling Jumbo Frame 9K
<b>Power consumption</b>	Cable Disconnection: 25mW 100Mbps Full Run: 450mW 1000bp Full Run: 1000mW WoL Enable(S3/S4/S5): 50mW WoL Disable(S3/S4/S5): 25mW
<b>Power Management</b>	ACPI compliant – multiple power modes Situation-sensitive features reduce power consumption Advanced link down power saving for reducing link down power consumption
<b>Management Interface</b>	Auto MDI/MDIX Crossover cable detection

### Technical Specifications – Networking and Communications

<b>IT Manageability</b>	<p>Wake-on-LAN from standby and hibernation (Magic Packet and Microsoft Wake-Up Frame); Wake-on-LAN from off (Magic Packet only)</p> <p>PXE 2.1 Remote Boot</p> <p>Statistics Gathering (SNMP MIB II, Ethernet-like MIB, Ethernet MIB (802.3x, clause 30))</p> <p>Comprehensive diagnostic and configuration software suite</p> <p>Virtual Cable Doctor for Ethernet cable status</p>
<b>Security &amp; Manageability</b>	Intel® vPro™ support with appropriate Intel® chipset components

<b>Intel Wi-Fi 6 AX201 + BT5 (802.11 ax 2x2, vPro, supporting gigabit file transfer speeds) vPro</b>	
<b>Wireless LAN Standards</b>	IEEE 802.11a IEEE 802.11b IEEE 802.11g IEEE 802.11n IEEE 802.11ac IEEE 802.11ax IEEE 802.11d IEEE 802.11e IEEE 802.11h IEEE 802.11i IEEE 802.11k IEEE 802.11r IEEE 802.11v
<b>Interoperability</b>	Features Wi-Fi 6 technology
<b>Frequency Band</b>	802.11b/g/n/ax <ul style="list-style-type: none"> <li>• 2.402 – 2.482 GHz</li> </ul> 802.11a/n/ac/ax <ul style="list-style-type: none"> <li>• 4.9 – 4.95 GHz (Japan)</li> <li>• 5.15 – 5.25 GHz</li> <li>• 5.25 – 5.35 GHz</li> <li>• 5.47 – 5.725 GHz</li> <li>• 5.825 – 5.850 GHz</li> </ul>
<b>Data Rates</b>	<ul style="list-style-type: none"> <li>• 802.11b: 1, 2, 5.5, 11 Mbps</li> <li>• 802.11g: 6, 9, 12, 18, 24, 36, 48, 54 Mbps</li> <li>• 802.11a: 6, 9, 12, 18, 24, 36, 48, 54 Mbps</li> <li>• 802.11n: MCS 0 ~ MCS 15, (20MHz, and 40MHz)</li> <li>• 802.11ac : MCS0 ~ MCS9, (1SS, and 2SS) (20MHz, 40MHz, ,80MHz &amp; 160MHz)</li> <li>• 802.11ax : MCS0 ~ MCS11, (1SS and 2SS) (20MHz, 40MHz, ,80MHz &amp; 160MHz)</li> </ul>
<b>Modulation</b>	Direct Sequence Spread Spectrum OFDM, BPSK, QPSK, CCK, 16-QAM, 64-QAM, 256-QAM, 1024QAM
<b>Security<sup>3</sup></b>	<ul style="list-style-type: none"> <li>• IEEE compliant 64 / 128 bit WEP encryption for a/b/g mode only</li> <li>• AES-CCMP: 128 bit in hardware</li> <li>• 802.1x authentication</li> <li>• WPA, WPA2: 802.1x. WPA-PSK, WPA2-PSK, TKIP, and AES.</li> <li>• WPA2 certification</li> <li>• IEEE 802.11i</li> <li>• WAPI</li> </ul>
<b>Network Architecture Models</b>	Ad-hoc (Peer to Peer) Infrastructure (Access Point Required)
<b>Roaming</b>	IEEE 802.11 compliant roaming between access points
<b>Output Power<sup>2</sup></b>	• 802.11b : +18.5dBm minimum



### Technical Specifications – Networking and Communications

	<ul style="list-style-type: none"> <li>• 802.11g : +17.5dBm minimum</li> <li>• 802.11a : +18.5dBm minimum</li> <li>• 802.11n HT20(2.4GHz) : +15.5dBm minimum</li> <li>• 802.11n HT40(2.4GHz) : +14.5dBm minimum</li> <li>• 802.11n HT20(5GHz) : +15.5dBm minimum</li> <li>• 802.11n HT40(5GHz) : +14.5dBm minimum</li> <li>• 802.11ac VHT80(5GHz) : +11.5dBm minimum</li> <li>• 802.11ac VHT160(5GHz) : +11.5dBm minimum</li> <li>• 802.11ax HT40(2.4GHz) : +10dBm minimum</li> <li>• 802.11ax VHT160(5GHz) : +10dBm minimum</li> </ul>
<b>Power Consumption</b>	<ul style="list-style-type: none"> <li>• Transmit mode: 2.0 W</li> <li>• Receive mode: 1.6 W</li> <li>• Idle mode (PSP) 180 mW (WLAN Associated)</li> <li>• Idle mode: 50 mW (WLAN unassociated)</li> <li>• Connected Standby: 10mW</li> <li>• Radio disabled: 8 mW</li> </ul>
<b>Power Management</b>	ACPI and PCI Express compliant power management 802.11 compliant power saving mode
<b>Receiver Sensitivity<sup>3</sup></b>	<ul style="list-style-type: none"> <li>• 802.11b, 1Mbps : -93.5dBm maximum</li> <li>• 802.11b, 11Mbps : -84dBm maximum</li> <li>• 802.11a/g, 6Mbps : -86dBm maximum</li> <li>• 802.11a/g, 54Mbps : -72dBm maximum</li> <li>• 802.11n, MCS07 : -67dBm maximum</li> <li>• 802.11n, MCS15 : -64dBm maximum</li> <li>• 802.11ac, MCS0 : -84dBm maximum</li> <li>• 802.11ac, MCS9 : -59dBm maximum</li> <li>• 802.11ax, MCS11(HT40): -59dBm maximum</li> <li>• 802.11ax, MCS11(VHT160): -58.5dBm maximum</li> </ul>
<b>Antenna type</b>	High efficiency antenna with spatial diversity, mounted in the display enclosure  Two embedded dual band 2.4/5 GHz antennas are provided to the card to support WLAN MIMO communications and Bluetooth communications
<b>Form Factor</b>	PCI-Express M.2 MiniCard with CNVi Interface
<b>Dimensions</b>	1. Type 2230 : 2.3 x 22.0 x 30.0 mm 2. Type 1216: 1.67 x 12.0 x 16.0 mm
<b>Weight</b>	1. Type 2230 : 2.8g 2. Type 126: 1.3g
<b>Operating Voltage</b>	3.3v +/- 9%
<b>Temperature</b>	Operating 14° to 158° F (-10° to 70° C) Non-operating -40° to 176° F (-40° to 80° C)
<b>Humidity</b>	Operating 10% to 90% (non-condensing) Non-operating 5% to 95% (non-condensing)
<b>Altitude</b>	Operating 0 to 10,000 ft (3,048 m) Non-operating 0 to 50,000 ft (15,240 m)
<b>LED Activity</b>	LED Amber – Radio OFF; LED White – Radio ON
<b>HP Integrated Module with Bluetooth® 4.0/4.1/4.2/5.0/5.1 Wireless Technology</b>	
<b>Bluetooth® Specification</b>	4.0/4.1/4.2/5.0/5.1 Compliant
<b>Frequency Band</b>	2402 to 2480 MHz
<b>Number of Available Channels</b>	Legacy : 0~79 (1 MHz/CH) BLE : 0~39 (2 MHz/CH)
<b>Data Rates and Throughput</b>	Legacy : 3 Mbps data rate; throughput up to 2.17 Mbps BLE : 1 Mbps data rate; throughput up to 0.2 Mbps

### Technical Specifications – Networking and Communications

	Legacy : Synchronous Connection Oriented links up to 3, 64 kbps, voice channels. Legacy : Asynchronous Connection Less links 2178.1 kbps/177.1 kbps asymmetric (3-DH5) or 864 kbps symmetric (3-EV5)
<b>Transmit Power</b>	The Bluetooth® component shall operate as a Class II Bluetooth® device with a maximum transmit power of +9.5 dBm for BR and EDR.
<b>Power Consumption</b>	Peak (Tx) 330 mW Peak (Rx) 230 mW Selective Suspend 17 mW
<b>Bluetooth® Software Supported Link Topology</b>	Microsoft Windows Bluetooth® Software
<b>Power Management</b>	Microsoft Windows ACPI, and USB Bus Support
<b>Certifications</b>	FCC (47 CFR) Part 15C, Section 15.247 & 15.249
<b>Power Management Certifications</b>	ETS 300 328, ETS 300 826 Low Voltage Directive IEC950 UL, CSA, and CE Mark
<b>Bluetooth Profiles Supported</b>	BT4.1-ESR 5/6/7 Compliance LE Link Layer Ping LE Dual Mode LE Link Layer LE Low Duty Cycle Directed Advertising LE L2CAP Connection Oriented Channels Train Nudging & Interlaced Scan BT4.2 ESR08 Compliance LE Secure Connection- Basic/Full LE Privacy 1.2 –Link Layer Privacy LE Privacy 1.2 –Extended Scanner Filter Policies LE Data Packet Length Extension FAX Profile (FAX) Basic Imaging Profile (BIP)2 Headset Profile (HSP) Hands Free Profile (HFP) Advanced Audio Distribution Profile (A2DP)
<b>Security &amp; Manageability</b>	Intel® vPro™ support with appropriate Intel® chipset components

### Technical Specifications – Input/Output Devices

#### I/O DEVICES

<b>HP USB Premium Keyboard</b>		
<b>Physical Characteristics</b>	Keys	104, 105 layout (depending upon country)
	Dimensions (L x W x H)	17.04 x 5.55 x 0.52 in (433 x 141 x 13.2 mm)
	Weight	1.54 lb. (698g)
<b>Electrical</b>	Operating voltage	5 VDC, +/-5%
	Power consumption	35mA (All LED on)
	System interface	USB Type A plug connector
	ESD	Contact Discharge: 8 KV Air Discharge: 15 KV
	EMI - RFI	Conforms to FCC rules for a Class B computing device
	Microsoft® PC 99 - 2001	Functionally compliant
<b>Mechanical</b>	Keycaps	Low-profile design
	Switch actuation	60±10g nominal peak force with tactile feedback
	Switch life	10 million keystrokes (Life tester)
	Switch type	Contamination-resistant switch membrane
	Key-leveling mechanisms	For all double-wide and greater-length keys
	Cable length	6 ft. (1.8 m)
	Microsoft PC 99 - 2001	Mechanically compliant
<b>Environmental</b>	Acoustics	43-dBA maximum sound pressure level
	Operating temperature	50° to 122° F (10° to 50° C)
	Non-operating temperature	-22° to 140° F (-30° to 60° C)
	Operating humidity	10% to 90% (non-condensing at ambient)
	Non-operating humidity	20% to 80% (non-condensing at ambient)
	Operating shock	40 g, six surfaces
	Non-operating shock	80 g, six surfaces
	Operating vibration	2-g peak acceleration
	Non-operating vibration	4-g peak acceleration
	Drop (out of box)	26 in (66 cm) on carpet, six-drop sequence
	Drop (in box)	30 in (76.2 cm) on concrete, 16-drop sequence
<b>Approvals</b>	UL, FCC, CE Mark, TUV GS, VCCI, BSMI, RCM, KCC	
<b>Ergonomic compliance</b>	TUVGS	
<b>Kit contents</b>	Keyboard, QSP	
<b>Warranty Card</b>	Product Notice	

### Technical Specifications – Input/Output Devices

<b>HP USB Premium Mouse</b>		
<b>Dimensions (H x L x W)</b>	4.21 x 2.64 x 1.52 in (107 x 67 x 38.7 mm)	
<b>Weight</b>	0.19lb (90g)	
<b>Environmental</b>	Operating temperature	50° to 122°F (10° to 50° C)
	Non-operating temperature	-22° to 140°F (-30° to 60° C)
	Operating humidity	10% to 90% (non-condensing at ambient)
	Non-operating humidity	20% to 80% (non-condensing at ambient)
	Operating shock	50 g, 6 surfaces
	Non-operating shock	80 g, 6 surfaces
	Operating vibration	2 g peak acceleration
	Non-operating vibration	4 g peak acceleration
<b>Electrical</b>	Operating voltage	5 VDC, +/-5%
	Power consumption	12mA
<b>Mechanical</b>	Connector	USB 2.0
	Type	3D mouse (3 keys and wheel)
	Resolution	800, 1200, 1600 DPI
	Sensor	Pixart PAN3606DL
<b>Tracking speed</b>	Tracking acceleration	8G(max), 1G=9.8m/s <sup>2</sup>
	Cable length	6 ft. (1.8 m)
	Color	Jack Black
<b>Regulatory approvals</b>	Compliant	UL, FCC, CE Mark, TUV GS, VCCI, BSMI, RCM, KCC

<b>HP USB Mouse</b>		
<b>Dimensions (H x L x W)</b>	37mm x 115mm x 62.9mm	
<b>Weight</b>	90 +10g/- 5 g	
<b>Color</b>	Black	
<b>Connector</b>	USB	
<b>Mechanical</b>	Resolution	800 DPI sensitivity
	Buttons	Two primary buttons and clickable scroll wheel

<b>HP Wired Desktop 320M Mouse</b>		
<b>Dimensions (H x L x W)</b>	35.5mm x 103.8mm x 63.4mm	
<b>Weight</b>	75.8 +/- 10 g	
<b>Color</b>	Black	
<b>Connector</b>	USB	
<b>Cable Length</b>	1800mm	
<b>Sustainability</b>	Low halogen PCBA	



## Technical Specifications – Input/Output Devices

<b>Mechanical</b>	<b>Resolution</b>	1000 DPI sensitivity
	<b>Buttons</b>	Two primary buttons and clickable scroll wheel

<b>HP Wired Desktop 320K Keyboard</b>	
<b>Dimensions (H x L x W)</b>	16.7mm x 426.2mm x 110.9mm
<b>Weight</b>	413 +/- 30 g
<b>Color</b>	Black
<b>Connector</b>	USB
<b>Cable Length</b>	1800mm
<b>Keys</b>	104, 105, 107, 109
<b>Operating Voltage</b>	5V
<b>Power Consumption</b>	50mA – 100mA
<b>Switch Life</b>	10M
<b>Switch Type</b>	Plunger
<b>Operating Temperature</b>	10°C to 50°C
<b>Non- Operating Temperature</b>	30°C to 65°C
<b>Operating Humidity</b>	10% to 90%
<b>Non- Operating Humidity</b>	0% to 90%
<b>Sustainability</b>	Greater than 50% post-consumer recycled plastic content and low halogen PCBA

### Technical Specifications – Audio/Multimedia

#### AUDIO/MULTIMEDIA

##### Bang & Olufsen Audio

Type	Integrated
HD Stereo Codec	Realtek ALC3274 Side headset connector supports a CTIA/OMTP style headset and is re-taskable as a Line-in, Line-out, Microphone-in or Headphone-out port Side headphone connector supports a headphone connections Rear line out connector
Audio I/O Ports	All ports are 3.5mm and support stereo
Internal Speaker Amplifier	5W per channel class D stereo amplifier for the internal speakers only
Multi-streaming Capable	Playback multi-streaming can be enabled in the audio control panel to allow independent audio streams to be sent to/from the front and rear jacks or integrated speakers.
Sampling	Independent sampling rates for DAC's and ADC's; supports resolutions from 16 to 24-bit; 44.1 kHz to 192 kHz for DAC and 44.1 kHz to 96 kHz for ADC
Wavetable Syntheses	Yes - Uses OS soft wavetable
Analog Audio	Yes
# of Channels on Line-Out	Stereo (Left & Right channels)
Internal Speaker	Yes - Stereo



### Technical Specifications – Integrated Webcam and Microphone

#### **INTEGRATED WEBCAM AND MICROPHONE**

Integrated 5 MP Full HD RGB dual-facing webcam with IR sensor (user-facing) & microphone; maximum resolution of 2624 x 1976

Optional Integrated Webcam and Microphone

Optional integrated 5 MP Full HD RGB webcam & microphone; maximum resolution of 2624 x 1976

**NOTE:** All HP devices which carry the Bang & Olufsen brand are custom-tuned with Bang & Olufsen's acoustical engineers for precise sound experience in business use.

### Technical Specifications – Power

#### POWER

##### Unit Environment and Operating Conditions

Temperature Range	Operating: 5°C ~45°C Non-Operating: -40°C ~66°C
Relative Humidity	Operating 5% to 90% relative humidity at max inlet temperature Non-Operating 5% to 90% relative humidity at max inlet temperature
Maximum Altitude (unpressurized)	Operating: 5000m Non-operating: 50,000 ft. (15240 m)

<b>80 PLUS Platinum</b>	210W active PFC / 80 PLUS Platinum 280W active PFC / 80 PLUS Platinum 90/92/89% efficient at 20/50/100% load (115V) 91/93/90% efficient at 20/50/100% load (230V)
<b>Operating Voltage Range</b>	90Vac~264Vac
<b>Rated Voltage Range</b>	100Vac~240Vac
<b>Rated Line Frequency</b>	50HZ~60HZ
<b>Operating Line Frequency</b>	47HZ~63HZ
<b>Rated Input Current</b>	
<b>Rated Input Current with Energy Efficient* Power Supply</b>	210W ≤ 2.8A 280W ≤ 3.2A
<b>DC Output</b>	+12V

<b>Current Leakage (NFPA 99: 2102)</b>	Less than 500 microamps of leakage current at 120 Vac with the ground wire disconnected, as required for Non-patient Electrical Appliances and Equipment used in a patient care facility or that contact patients in normal use. Per section 10.3.5.1. Less than 100 microamps of leakage current at 120 Vac with the ground wire intact with normal polarity, as required for Non-patient Electrical Appliances and Equipment used in a patient care facility or that contact patients in normal use. Per section 10.3.5.1.
<b>Power Supply Fan</b>	6.0 ft. (1.83 m)
<b>Power cord length</b>	Internal power supply
<b>External Power Adapter</b>	110x110x26mm
<b>Dimensions</b>	6.0 ft. (1.83 m)
<b>Total Cord Length</b>	Less than 500 microamps of leakage current at 120 Vac with the ground wire disconnected, as required for Non-patient Electrical Appliances and Equipment used in a patient care facility or that contact patients in normal use. Per section 10.3.5.1. Less than 100 microamps of leakage current at 120 Vac with the ground wire intact with normal polarity, as required for Non-patient Electrical Appliances and Equipment used in a patient care facility or that contact patients in normal use. Per section 10.3.5.1.

### Technical Specifications – Power

The power supply shall comply with harmonic input current requirements as detailed in EN61000-3-2 and JEIDA MITI standards. The harmonic input current requirements must be met under the following operating conditions:

Load Requirements: 50% and 100%

Input Voltage: 230Vac/50Hz.

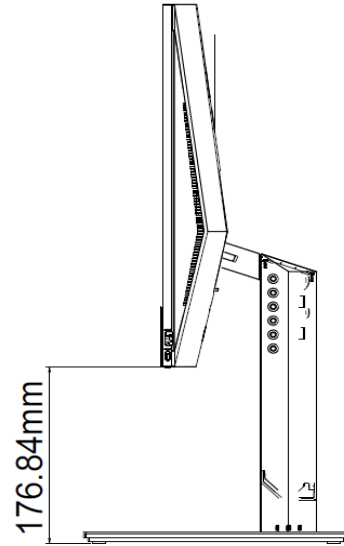
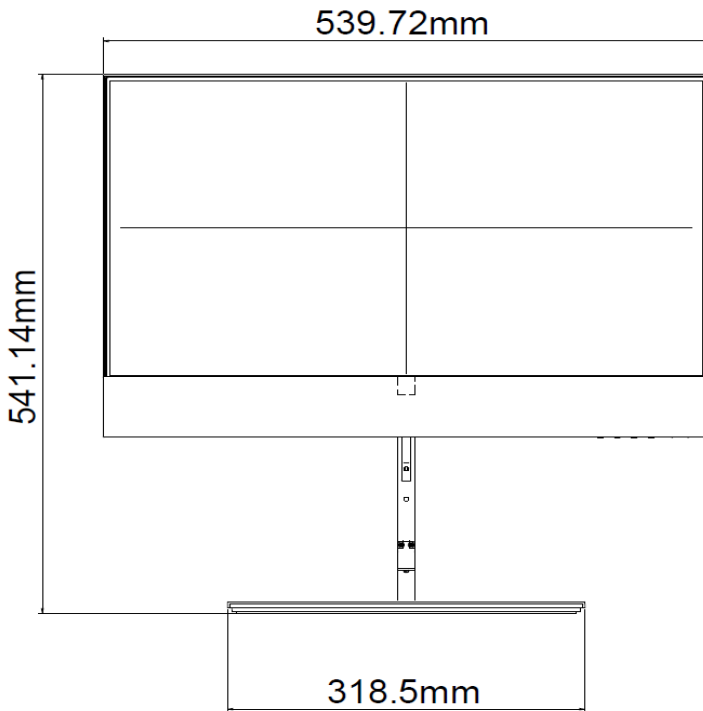
For active power factor correction the power factor at 50% & 100% loads shall be greater than 0.9 over the entire nominal input voltage range (100-127VAC and 200-240VAC).

Condition	Standard Efficiency	82/85/82%	85/88/85%	87/90/87%	90/92/89%	Input Voltage
10% of Rated Load	-	75%	81%	84%	86%	115Vac/60HZ
20% of Rated Load	-	82%	85%	87%	90%	115Vac/60HZ
50% of Rated Load	-	85%	88%	90%	92%	115Vac/60HZ
	PF>0.9	PF>0.9	PF>0.9	PF>0.9	PF>0.95	
100% of Rated Load	70%	82%	85%	87%	89%	115Vac/60HZ
	PF>0.9	PF>0.9	PF>0.9	PF>0.9	PF>0.9	230Vac/50HZ

### Technical Specifications – Weights and Dimensions

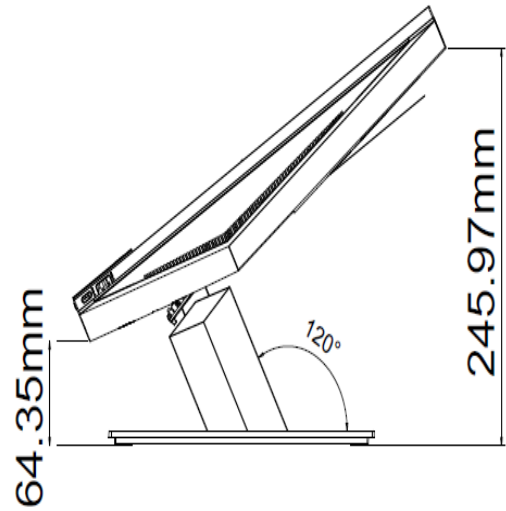
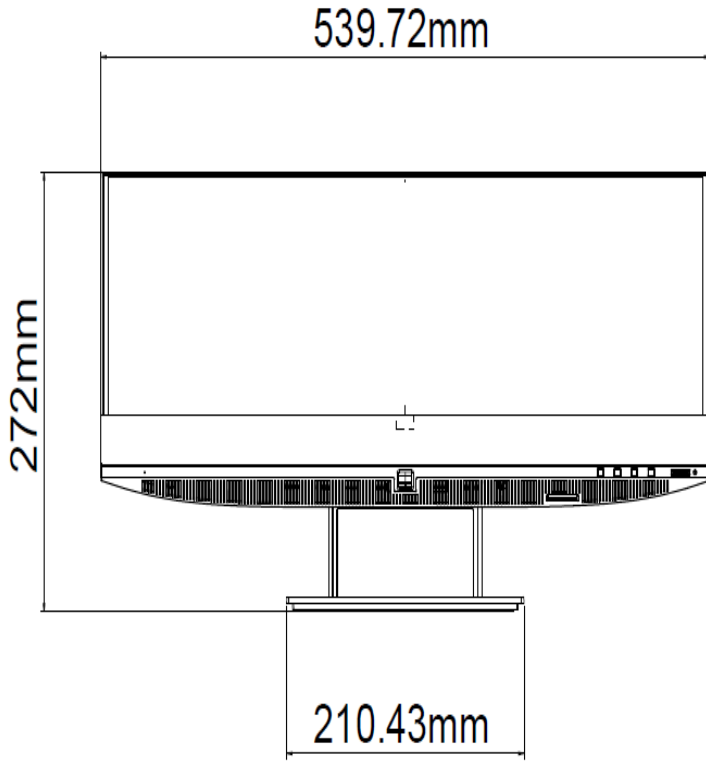
#### STANDS AND DIMENSIONS

##### HP EliteOne G6 AIO Adjustable Height Stand – 23.8"



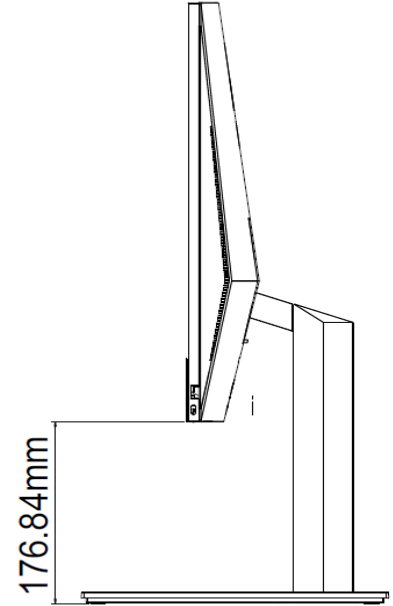
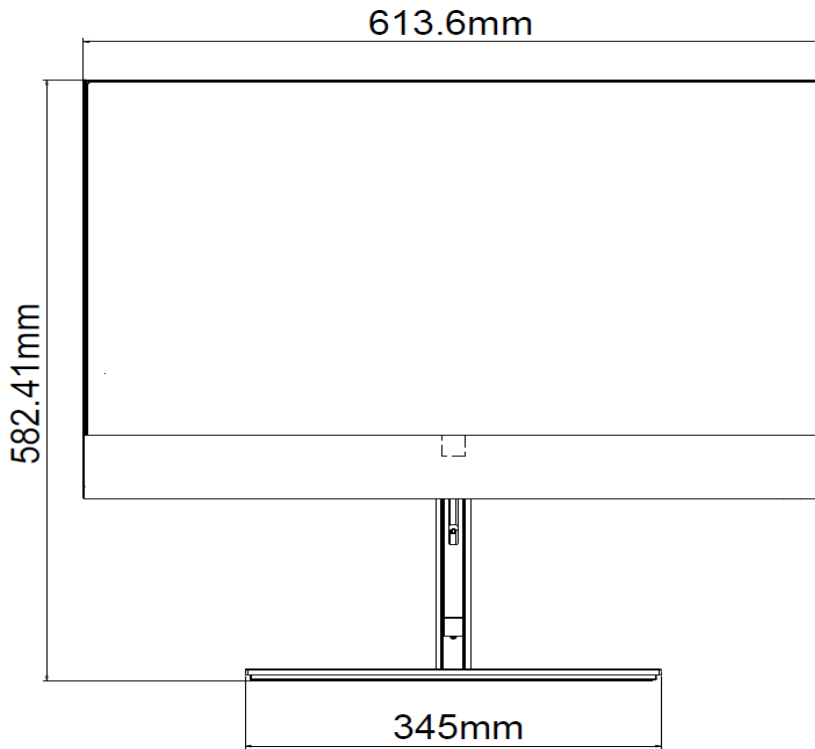
##### HP EliteOne G6 AIO Recline Stand – 23.8"

### Technical Specifications – Weights and Dimensions

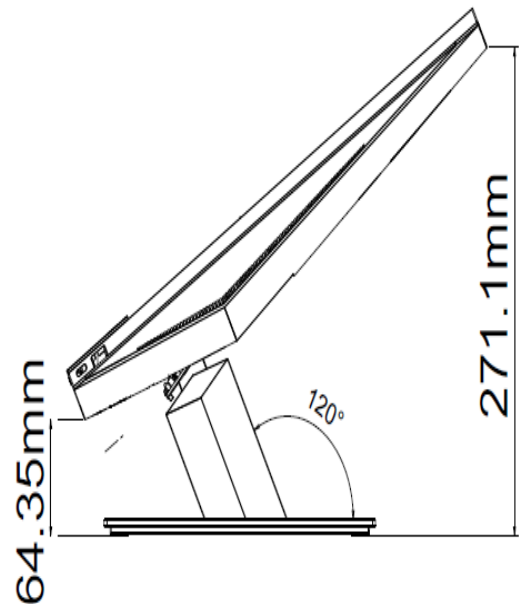
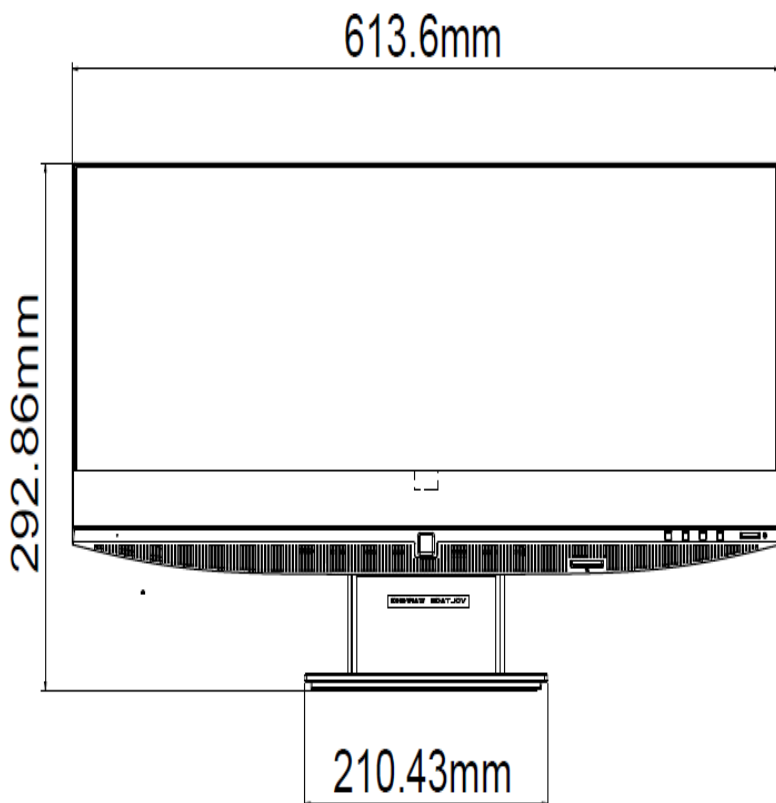


### Technical Specifications – Weights and Dimensions

#### HP EliteOne G6 AIO Adjustable Height Stand – 27”



#### HP EliteOne G6 AIO Recline Stand – 27”



### Technical Specifications – Weights and Dimensions

<b>Adjustable Height Stand:</b>	Height - Vertical/Landscape Adjustment	130mm ( $\pm 2$ mm)
	Portrait Adjustment	No portrait
	Tilt Angle	-5° to +18° ( $\pm 2^\circ$ ) in landscape and portrait
	Rotation (Swivel)	90° ( $\pm 1^\circ$ ) (45 left, 45 right)
	Pivot	No pivot

<b>Recline Stand:</b>	Height - Vertical Adjustment	No height
	Tilt Angle	+36.5° to +58° (+/-1.5°)
	Rotation (swivel)	No swivel

### Technical Specifications – Weights and Dimensions

#### ALL-IN-ONE WEIGHTS AND DIMENSIONS

##### HP Collaboration G6 24 All-in-One with Zoom Rooms

##### Weight with Touch Panel – 23.8”

<b>Product Weight Unboxed</b>	Without Stand 17.50lbs. 7.94kg	Adjustable Height Stand 22.84lbs. 10.36kg	Recline Stand 21.21lbs. 9.62Kg
<b>Shipping Weight Boxed</b>	Without Stand 21.89lbs. 9.93kg	Adjustable Height Stand 27.23lbs. 12.35kg	Recline Stand 25.46lbs. 11.55kg
<b>Shipping Weight Pallet (18 units)</b>	Without Stand 694.98lbs. 315.9kg	Adjustable Height Stand 854.7lbs. 388.5kg	Recline Stand 801.9lbs. 364.5kg

##### Dimensions (W x D x H) – 23.8”

<b>Product Dimensions (Non-touch)</b>	Without Stand 539.72 x 364.3 x 57.3 mm	Adjustable Height Stand (-5 ~ 20) degrees 539.72 x 541.14 x 236.98 mm	Recline Stand (30 ~ 60) degrees 539.72 x 379.44 x 209.35 mm
<b>Product Dimensions (Sure View/ In-cell Touch)</b>	Without Stand 539.72 x 364.3 x 59.3 mm	Adjustable Height Stand (-5 ~ 20) degrees 539.72 x 541.14 x 236.98 mm	Recline Stand (30 ~ 60) degrees 539.72 x 379.44 x 211.35 mm

##### Shipping Dimensions – 23.8”

<b>Shipping Dimensions Boxed</b>	Without Stand 628 x 186 x 635 mm	Adjustable Height Stand 628 x 186 x 635 mm	Recline Stand 628 x 186 x 635 mm
<b>Shipping Dimensions Pallet Pallet (40 units)</b>	Without Stand 1180 x 874 x 2060 mm	Adjustable Height 1180 x 874 x 2060 mm	Recline Stand 1180 x 874 x 2060 mm



### Technical Specifications – Weights and Dimensions

#### HP Collaboration G6 27 All-in-One with Zoom Rooms

##### Weight with Touch Panel – 27”

<b>Product Weight Unboxed</b>	Without Stand 19.56lbs. 8.87kg	Adjustable Height Stand 25.40lbs. 11.52kg	Recline Stand 23.26lbs. 10.55kg
<b>Shipping Weight Boxed</b>	Without Stand 25.46lbs. 11.55kg	Adjustable Height Stand 31.31lbs. 14.2kg	Recline Stand 29.17lbs. 13.23kg
<b>Shipping Weight Pallet (18 units)</b>	Without Stand 496.98lbs. 225.9kg	Adjustable Height Stand 601.92lbs. 273.6kg	Recline Stand 563.5 lbs. 256.14 kg

##### Dimensions (W x D x H) – 27”

<b>Product Dimensions (FHD)</b>	Without Stand 613.6 x 405.57 x 58.7 mm	Adjustable Height Stand -5 ~ 20 degrees 613.6 x 582.41 x 254.98 mm	Recline Stand Stand 30 ~ 60 degrees 613.6 x 420.71 x 210.68 mm
<b>Product Dimensions (QHD)</b>	Without Stand 613.6 x 405.57 x 59.07 mm	Adjustable Height Stand -5 ~ 20 degrees 613.6 x 582.41 x 254.98 mm	Recline Stand Stand 30 ~ 60 degrees 613.6 x 420.71 x 211.05 mm

##### Shipping Dimensions – 27”

<b>Shipping Dimensions Boxed</b>	Without Stand 742 x 237 x 640 mm	Adjustable Height Stand 742 x 237 x 640 mm	Recline Stand 742 x 237 x 640 mm
<b>Shipping Dimensions Pallet (18 units)</b>	Without Stand 1180 x 958 x 2076 mm	Adjustable Height Stand 1180 x 958 x 2076 mm	Recline Stand 1180 x 958 x 2076 mm

### Technical Specifications – Miscellaneous Features

#### MISCELLANEOUS FEATURES

##### Management Features

- Advanced Configuration and Power Management Interface (ACPI). Allows the system to wake from a low power mode. Controls system power consumption, making it possible to place individual cards and peripherals in a low-power or powered-off state without affecting other elements of the system.
- Intel® Wired for Management support; industry wide initiative to make Intel® architecture based PCs, servers and mobile computers more inherently manageable out-of-the-box and over the network
- Dual State Power Button; acts as both an on/off button and a suspend-to-sleep button

##### Serviceability Features

- Dual colored power LED on front of computer to indicate either normal or fault condition
- Diagnostic LED Explanation Table:
  - Power LED will blink red 2 to 5 times, then blink white 2 or more times, then repeat (with beep tones for each blink initially):
    - 2 red + 2 white User must provide file for BIOS recovery (USB storage typically)
    - 2 red + 3 white User must enter a key sequence to proceed with recovery by policy
    - 2 red + 4 white BIOS recovery is in progress
    - 3 red + 2 white Memory could not be initialized
    - 3 red + 3 white Graphics adaptor could not be found
    - 3 red + 4 white Power supply failure / not connected
    - 3 red + 5 white Processor not installed
    - 3 red + 6 white Current processor does not support an enabled feature
    - 4 red + 2 white Processor has exceeded its temperature threshold / system thermal shutdown
    - 4 red + 3 white System internal temperature has exceeded its threshold
    - 5 red + 2 white System controller firmware is not valid
    - 5 red + 3 white System controller detected BIOS is not executing
    - 5 red + 4 white BIOS could not complete initialization / PCA failure
    - 5 red + 5 white System controller rebooted the system after a health or recovery timer triggered
- HP PC Hardware Diagnostics UEFI:
  - This utility enables hardware level testing outside the operating system on many components. The diagnostics can be invoked by pressing F2 at POST, and is available as a download from HP Support
- System/Emergency ROM
- Flash ROM
- CMOS Battery Holder for easy replacement
- Flash Recovery with Video Configuration Record Software
- 5 Aux Power LED on System PCA
- Processor ZIF Socket for easy Upgrade
- Over-Temp Warning on Screen (Requires IM Agents)
- DIMM Connectors for easy Upgrade
- Clear CMOS Button
- NIC LEDs (integrated) (Green & Amber)
- Dual Color Power and HD LED - To Indicate Normal Operations and Fault Conditions
- Color coordinated cables and connectors
- Tool-less Hood Removal
- Front power switch
- System memory can be upgraded without removing the system board or any internal components
- Green Pull Tabs, and Quick Release Latches for easy Identification

### Technical Specifications – Miscellaneous Features

#### Additional Features

##### Drive Lock

#### Description

Implementation of the industry standard ATA Security feature set. When enabled, it prevents software access to user data on the drive until one or two user-defined passwords are provided.

##### Boot Sectors Protection

MBR and GPT sectors of the hard drive are critical to booting the operating system. By saving the MBR or GPT data (depending on the how the OS was installed), the BIOS will be able to monitor for changes and allow the user to override them with the backup copy at boot-up.

##### Drive Protection System

DPS Access through F10 Setup during Boot (for SATA hard drive only)

A diagnostic hard drive self- test. It scans critical physical components and every sector of the hard drive for physical faults and then reports any faults to the user. Running independently of the operating system, it can be accessed through a Windows-based diagnostics utility or through the computer's setup procedure. It produces an evaluation on whether the hard drive is the source of the problem and needs to be replaced.

The system expands on the Self-Monitoring, Analysis, and Reporting Technology (SMART), a continuously running systems diagnostic that alerts the user to certain types of failures.

##### SMART Technology (Self-Monitoring, Analysis and Reporting Technology)

Allows hard drives to monitor their own health and to raise flags if imminent failures were predicted.

##### SMART I - Drive Failure Prediction

Predicts failures before they occur. Tracks fault prediction and failure indication parameters such as re-allocated sector count, spin retry count, calibration retry count.

##### SMART II - Off-Line Data Collection

By avoiding actual hard drive failures, SMART hard drives act as "insurance" against unplanned user downtime and potential data loss from hard drive failure.

##### SMART III - Off-Line Read Scanning with Defect Reallocation

IOEDC: I/O Error Detection Circuitry

##### SMART IV - End-to-End CRC for hard drives

Detects errors in Read/Write buffers on HDD cache RAM

### Technical Specifications – After Market Options

#### AFTER MARKET OPTIONS

<b>Desktop Mini Accessories</b>	<b>Part Number</b>
HP Quick Release Bracket 2	6KD15AA
HP Single Monitor Arm	BT861AA

<b>Data Storage Drives</b>	<b>Part Number</b>
HP PCIe NVME TLC 256GB SSD M.2 Drive	1CA51AA
HP PCIe NVME TLC 512GB SSD M.2 Drive	X8U75AA

<b>Input Devices</b>	<b>Part Number</b>
HP Desktop Wired 320K Keyboard	9SR37AA
HP Desktop Wired 320M Mouse	9VA80AA
HP Desktop Wired 320MK Mouse and Keyboard	9SR36AA
HP USB Antimicrobial Business Slim Keyboard and Mouse	Z9H50AA
HP USB Business Slim CCID SmartCard Keyboard	Z9H48AA
HP USB Keyboard	QY776AA
HP USB Keyboard and Mouse Healthcare Edition	1VD81AA
HP USB Premium Keyboard	Z9N40AA
HP Wireless Business Slim Keyboard and Mouse	N3R88AA
HP Wireless Premium Keyboard	Z9N41AA
HP USB Fingerprint Mouse	4TS44AA
HP USB Premium Mouse	1JR32AA
HP Wireless Premium Mouse	1JR31AA
HP USB 1000dpi Laser Mouse	QY778AA
HP USB Optical Mouse	QY777AA
HP USB Hardened Mouse <sup>1</sup>	P1N77AA

1. Not available in all regions

<b>System Memory</b>	<b>Part Number</b>
HP 4GB DDR4-2666 SODIMM	3TK86AA
HP 8GB DDR4-2666 SODIMM	3TK88AA
HP 16GB DDR4-2666 SODIMM	3TK84AA
HP 32GB DDR4-2666 SODIMM	1C919AA
HP 4GB DDR4-3200 SODIMM	13L79AA
HP 8GB DDR4-3200 SODIMM	13L77AA
HP 16GB DDR4-3200 SODIMM	13L75AA
HP 32GB DDR4-3200 SODIMM	13L73AA

### Technical Specifications – After Market Options

<b>Multimedia Devices</b>	<b>Part Number</b>
HP Business Headset v2	T4E61AA

<b>Security Devices</b>	<b>Part Number</b>
HP Keyed Cable Lock 10mm	T1A62AA
HP Master Keyed Cable Lock 10mm	T1A63AA

<b>Stands and Accessories</b>	<b>Part Number</b>
HP EliteOne 800 G6 23.8" Height Adjustable Stand	13L61AA
HP EliteOne 800 G6 23.8" Recline Stand	13L62AA
HP EliteOne 800 G6 27" Height Adjustable Stand	13L63AA
HP EliteOne 800 G6 27" Recline Stand	13L64AA

<b>Intel® Optane Memory</b>	<b>Part Number</b>
512GB Intel® Optane™ Memory H10 with SSD	6VF55AA

